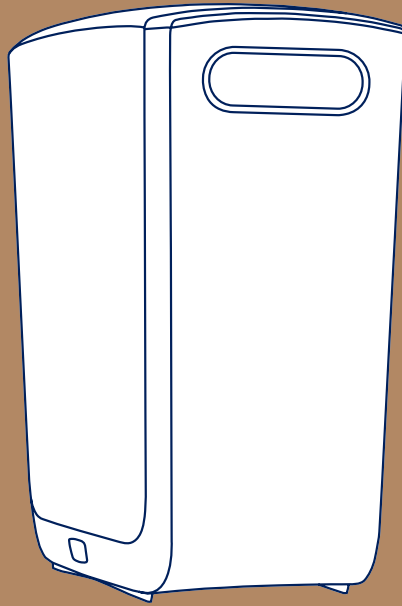


OWNER'S MANUAL



BLUEWATER CLEONE

WATER PURIFIER

FOR CLEONE PRODUCTS WITH SERIAL NUMBER 911340243221261000 AND LATER



EN

FR

ES

PT

IT

DE

PL

RU

SE

FI

NO

ZH

AR

EL

# CONTENTS

|                               |     |
|-------------------------------|-----|
| Owner's manual - EN           | 03  |
| Manuel du propriétaire - FR   | 12  |
| Manual de uso - ES            | 22  |
| Manual do proprietário - PT   | 33  |
| Manuale del proprietario - IT | 45  |
| Bedienungsanleitung - DE      | 56  |
| Instrukcja obsługi - PL       | 67  |
| РУКОВОДСТВО ВЛАДЕЛЬЦА - RU    | 77  |
| Handbok - SE                  | 88  |
| Omistajan käsikirja - FI      | 97  |
| Brukerhåndbok - NO            | 106 |
| Betjeningsvejledning -DK      | 115 |
| 用户手册 - ZH                     | 124 |
| كتيب الاستخدام لسبيريت - AR   | 132 |
| Εγχειρίδιο κατόχου - EL       | 140 |

## About this Manual

This manual gives you the necessary instructions to operate and do minor troubleshooting on the device. For more information scan the QR codes.

|   |   |   |                                |
|---|---|---|--------------------------------|
|  | <p>Bluewater global website<br/> <a href="http://www.bluewatergroup.com">www.bluewatergroup.com</a></p> |  | <p>Bluewater China website</p> |
|---|---|---|--------------------------------|

## Original language

The original language of this instruction is English, all other languages are translations of the original instruction.

## Regulatory information

| Description   |   |
|---|---|
|  | <p>The water treatment appliance complies with European legislation regarding health, safety and environmental protection, and can be sold in Europe.</p> |

## Limited warranty

Refer to [www.bluewatergroup.com](http://www.bluewatergroup.com) for more information on Limited warranty.

## Symbols

The following symbols can be found on the Cleone:

| Symbol  | Description  | Symbol  | Description  |
|---|--|---|--|
|  | <p>The water treatment appliance is certified by the Water Quality Association to NSF/ANSI 58.</p> |  | <p>The ETL Listed Mark is proof that the device has been independently tested and meets the applicable published standard.</p> |

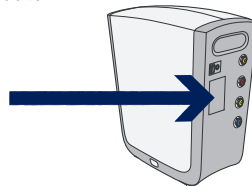
# CONTENTS

|                              |           |
|------------------------------|-----------|
| <b>SAFETY</b>                | <b>04</b> |
| Safety instructions          | 04        |
| Safety information           | 04        |
| <b>PRODUCT OVERVIEW</b>      | <b>06</b> |
| Cleone outside               | 06        |
| Cleone inside                | 07        |
| <b>SYSTEM OVERVIEW</b>       | <b>08</b> |
| System description           | 08        |
| Installation                 | 08        |
| Intended use                 | 09        |
| Water filtration system      | 09        |
| Intelligent membrane flush   | 09        |
| Water quality system         | 09        |
| Leak protection system       | 09        |
| Technical information        | 09        |
| <b>MAINTENANCE</b>           | <b>10</b> |
| Daily maintenance            | 10        |
| Regular maintenance          | 10        |
| <b>TROUBLESHOOTING</b>       | <b>11</b> |
| How to solve simple problems | 11        |

## Customer service

See "Troubleshooting" to solve minor problems before calling service support. If you need service support, be sure to have the following data (located on the back of the purifier) available when calling your Bluewater dealer:

- Model
- Product number
- Serial number



## Environment information



The water purifier is more efficient when purifying water for longer periods. Example: Filling several liters is more efficient per liter than filling just one liter at a time.



80% of the water purifier components and packaging are labeled to help you recycle and discard correctly.



Appliances bearing this symbol must be deposited at the designated local reception point for the disposal of electrical and electronic equipment.

This product may not be disposed of using the normal household refuse collection processes.

# SAFETY

## Safety instructions

Before you install or operate the device, you must read the safety information. Obey the instructions in this manual to prevent injuries, or damage to the equipment. This manual contains CAUTIONS and NOTES that are applicable for the safe operation of the device.



A CAUTION symbol identifies conditions that can cause damage to the equipment. DO NOT USE Cleone unless all cautionary conditions listed below have been understood and met.



A NOTE symbol identifies important information for trouble free and optimal use of Cleone.

## Safety information



Do not disconnect the external water tubes, and do not work on them. Contact your Bluewater dealer if you must disconnect water tubes. In an emergency, follow the instructions in the Complete User manual.



This appliance can be used by children who are more than 8 years old. It can also be used by persons with reduced physical, sensory, or mental capabilities or lack of experience and knowledge, if they have been given supervision or instruction about the use of the appliance in a safe way and understand the hazards involved.



Do not repair or change the internal components of Cleone. This can make Cleone operate incorrectly, or make it dangerous to use.



Use only the original Bluewater Cleone power adapter as the electrical power source for your Cleone. Using a different power adapter can make Cleone dangerous to use. It can also cause damage to internal parts of the Cleone. Do not use the cord if there are visible signs of damage on it. If the supply cord is damaged, replace it in order to prevent danger.



---

We recommend only approved technicians, distributors or Bluewater service personnel perform installations, servicing and repairs on the water purifier. If not performed adequately, this can make it operate incorrectly, and lead to injury and damage not covered by warranty. Only use original replacement cartridges and parts from Bluewater.

---



Do not put Cleone in water. Clean the surface with a moist cloth and a weak soap solution. Do not use chemicals to clean the surface of Cleone. Alcohol, petrol, organic and inorganic acids, strong basic chemicals (such as concentrated dishwashing detergent) will cause damage to the surface of Cleone.

---



Do not put or keep objects on top of Cleone.

---



Do not use Cleone with inlet supply water that is microbiologically dangerous, or where the microbiological quality is not known.

---

# PRODUCT OVERVIEW

| Model Features            | Cleone Classic | Cleone Balance | Cleone Ultra | Cleone PurityPlus |
|---------------------------|----------------|----------------|--------------|-------------------|
| UV lamp                   |                |                | ✓            | ✓                 |
| Integrated mineral filter |                | ✓              |              | ✓                 |

## Cleone outside

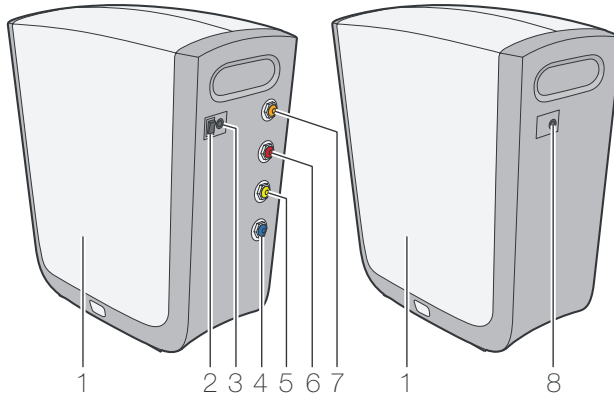


Figure 1. Cleone outside

| Pos | Description                            | Pos | Description                            |
|-----|--|-----|--|
| 1   | Side cover                             | 5   | Purified water tank connector - YELLOW |
| 2   | Power switch                           | 6   | Drain water connector - RED            |
| 3   | Electrical connection                  | 7   | Inlet water connector - ORANGE         |
| 4   | Purified water faucet connector - BLUE | 8   | System operation indicator light       |

## Power switch

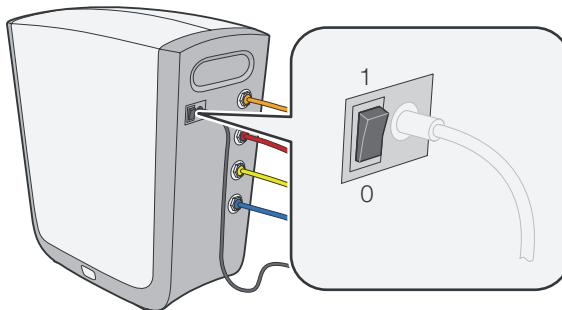


Figure 2. Power switch

| Position | Description  |
|----------|--|
| 1        | Cleone is started. Water can be purified.  |
| 0        | Cleone is stopped. No water is being purified. Purified water is still available until the tank becomes empty. |

## System operation indicator

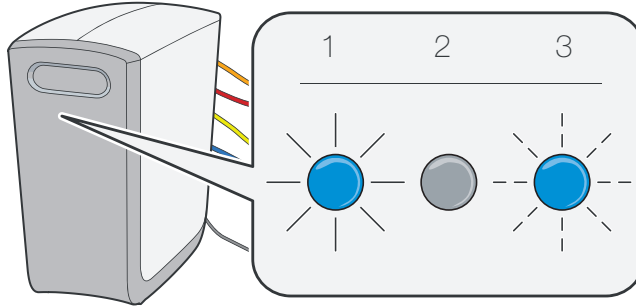





Figure 3. System operation indicator

| Pos  | Description   |
|--|---|
| 1. Light ON       | On – Cleone operates correctly.   |
| 2. Light OFF      | Off – Cleone is shut off. If power switch is in position “1”, see “Troubleshooting.”              |
|  | Flashes – There is a problem with Cleone. See “Troubleshooting” or contact your Bluewater dealer. |
| 3. Light Flashes  | There is a problem with Cleone. See “Troubleshooting,” or contact your Bluewater dealer.          |

## Cleone inside

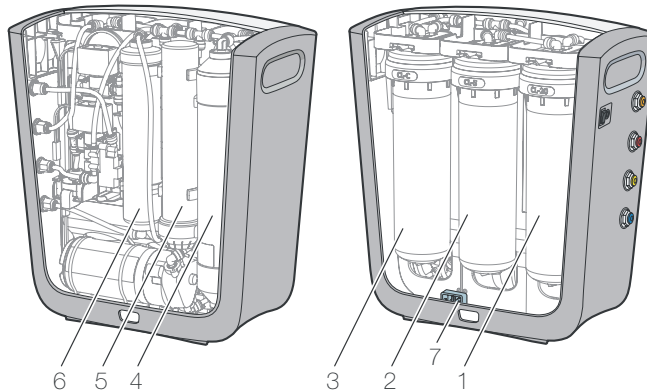


Figure 4. Cleone inside

| Pos | Description                                  | Pos | Description  |
|-----|--|-----|--|
| 1   | Coarse, 20 micron sediment prefilter (CL-20) | 5   | Activated carbon postfilter (CL-Inline-C) UV lamp (Classic, Balance, Ultra) (PurityPlus)               |
| 2   | Fine, 5 micron sediment prefilter (CL-5)     | 6   | UV lamp Integrated mineral filter (Ultra) (Balance, PurityPlus) The position is left empty for Classic |
| 3   | Activated carbon prefilter (CL-C)            | 7   | Leak protection system switch  |
| 4   | Reverse osmosis membrane                     |     |  |

# SYSTEM OVERVIEW

## System description

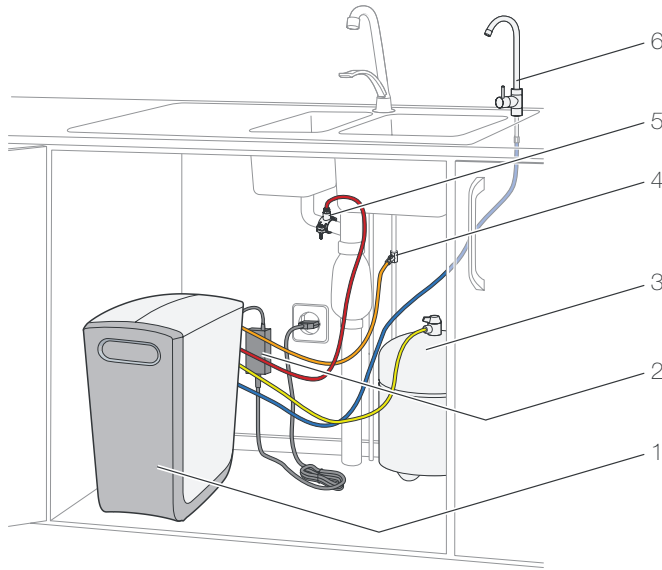




Figure 5. System overview

| Pos | Description           | Pos | Description                   |
|-----|-----------------------|-----|-------------------------------|
| 1   | Cleone water purifier | 4   | Inlet supply water connection |
| 2   | Power adapter         | 5   | Drain water connection        |
| 3   | Purified water tank   | 6   | Purified water faucet         |

## Installation

 For installation in the US, special instructions are required. See Complete User manual.

 We recommend that the Cleone be installed by a professional, who is recommended by an authorized Bluewater dealer. Installation instructions can be found on [www.bluewatergroup.com](http://www.bluewatergroup.com).



## Intended use

Cleone is a water purifier for home use. Do not use it for any other purpose. Any use besides indoor home environment and for purposes other than purifying water for household use is considered as unintended use and will automatically void your Cleone warranty.

## Water filtration system

Cleone purifies water in three steps: prefiltration, membrane filtration, and postfiltration. Purified water from Cleone is collected in the purified water tank. When the tank is full, Cleone goes into standby mode. When the purified water tank level is low, Cleone opens the inlet water supply and begins purifying more water.

## Water connections

There are four water connectors on the connection side of Cleone. The collet rings and tubing have a color code.

| Color  | Connection            | Description  |
|--------|-----------------------|--|
| ORANGE | Inlet supply water    | The inlet water connection supplies inlet water to Cleone.   |
| RED    | Drain water           | Drain water from Cleone to the drain pipe contains flushed and rejected contamination.                     |
| YELLOW | Purified water tank   | Purified water is collected in the purified water tank before it is supplied to the purified water faucet. |
| BLUE   | Purified water faucet | Purified water from Cleone is supplied to the purified water faucet.                                       |

## Intelligent membrane flush

The reverse osmosis membrane is flushed regularly with water when Cleone is in standby mode. The membrane is also flushed before and after the purification cycle. This makes sure that the purification process always starts with fresh supply water.

## Water quality system

The purification process is continuously monitored to make sure that the water quality is high. If the water quality decreases, the system operation indicator flashes. If the problem continues, Cleone stops. See "Troubleshooting."

## Leak protection system

A sensor at the bottom of Cleone senses water leaks. If there is a leak, the inlet water supply is stopped. Cleone cannot be started again until the leak has been repaired.

## Technical information



For more detailed technical information, see [www.bluewatergroup.com](http://www.bluewatergroup.com).

| Parameter/Model                        | Cleone Classic            | Cleone Balance            | Cleone Ultra              | Cleone PurityPlus         |
|--|---------------------------|---------------------------|---------------------------|---------------------------|
| Size WxDxH [mm (inch)]                 | 215x380x416 (8.5x15x16.4) | 215x380x416 (8.5x15x16.4) | 215x380x416 (8.5x15x16.4) | 215x380x416 (8.5x15x16.4) |
| Weight [kg (lbs)]                      | 10.4 (22.9)               | 11 (24.2)                 | 11.4 (25.1)               | 12 (26.5)                 |
| Power supply                           | 95-240V 50-60Hz           | 95-240V 50-60Hz           | 95-240V 50-60Hz           | 95-240V 50-60Hz           |
| Purified water flow rate [l/day (GPD)] | 160 (43)                  | 160 (43)                  | 160 (43)                  | 160 (43)                  |

# MAINTENANCE

## Daily maintenance

### To clean Cleone



Do not use chemicals to clean the surface. Alcohol, petrol, organic and inorganic acids, strong basic chemicals (such as concentrated dishwashing detergent) will cause damage to the surface.



Do not use hard, sharp, or abrasive tools to clean Cleone.

| Step | Action  |
|------|---|
| 1    | Clean the outer surface with a soft, moist cloth and a weak soap solution to remove dust, stains, and dirt. |
| 2    | Dry with a soft dry cloth.  |

## Regular maintenance



Regular maintenance is important for correct function and long term operation. We recommend only Bluewater approved service personnel perform maintenance and repairs.



The inlet water quality controls the maintenance frequency. If the inlet supply water contains high levels of dissolved solids, do maintenance more frequently.



For instructions on how to do maintenance, see Complete User manual on [www.bluewatergroup.com](http://www.bluewatergroup.com).

| Frequency                             | Description  |
|---------------------------------------|--|
| 6 months                              | *Replace the coarse, 20 micron sediment prefilter (CL-20).                       |
|                                       | *Replace the fine, 5 micron sediment prefilter (CL-5).                           |
|                                       | *Replace the activated carbon prefilter (CL-C).                                  |
|                                       | *Replace the integrated mineral filter.  |
|                                       | Do an inlet supply water pressure and quality check.                             |
| 1 year                                | *Replace the activated carbon postfilter (CL-Inline-C).                          |
|                                       | Replace the UV lamp.   |
| 3-5 years                             | *Replace the reverse osmosis membrane.   |
| *NOTE: Each time a filter is replaced | Flush new filters before using. See flushing procedures in Complete User Manual. |

# TROUBLESHOOTING

## How to solve simple problems



For symptoms not found in the table below or more severe problems, see Complete User manual on [www.bluewatergroup.com](http://www.bluewatergroup.com).

| Symptom  | Cause   | Solution   |
|--|---|--|
| No water comes from the purified water faucet. The system operation indicator light is off.  | Cleone is not connected to power.   | Connect Cleone to an electrical outlet and to the power adapter. Make sure that the 24V DC cable from the power adapter is connected to the electrical power socket on Cleone. |
|  | Cleone is not started.  | Move the power switch to On (position "1").  |
|  | An internal leak has been sensed. Cleone has been automatically stopped.                                | Contact your Bluewater dealer to repair the leak and reset the system.   |
| No water comes from the purified water faucet. The system operation indicator light is on.   | Cleone has been installed for the first time, and the system is not filled with water.                  | Wait for the system to be filled with water.   |
|  | The water tubes are not connected, or the connection is made incorrectly.                               | Make sure that the connections are made correctly.   |
|  | Regular maintenance has not been done. Prefilters are clogged.  | Contact your Bluewater dealer to do maintenance on Cleone.   |
| No water comes from the purified water faucet. The system operation indicator light flashes very quickly. (0.1 sec ON, 0.1 sec OFF). | The inlet water pressure is too low, and the pump protection system has stopped the inlet water supply. | Cleone will start to operate as usual when the inlet water pressure comes back. Flush Cleone as described in Complete User Manual.   |
| No water comes from the purified water faucet. The system operation indicator light flashes quickly (0.5 sec ON, 0.5 sec OFF).       | Cleone has stopped because the water quality is low.  | Contact your Bluewater dealer for service.   |
| Water comes from the purified water faucet. The system operation indicator light flashes quickly (0.5 sec ON, 0.5 sec OFF).          | The water quality has decreased.  | It is safe to use the purified water. Contact your Bluewater dealer for more information.  |
| The system operation indicator light flashes slowly (2 sec ON, 2 sec OFF).   | The filters must be replaced.   | See "Regular maintenance" for information about when to change the filters. Replace the filters and reset the filter indicator as described in Complete User manual.           |
| The flow rate from the purified water faucet is low.   | The purified water tank is empty because of high water consumption.                                     | Upgrade to a larger tank or a high capacity membrane.  |
|  | The air pressure in the purified water tank is low.   | Contact your Bluewater dealer to restore the correct air pressure in the purified water tank.  |
| Too much continuous noise during water purification.   | It is necessary to do maintenance on the booster pump.  | Contact your Bluewater dealer.   |

# TABLE DES MATIÈRES

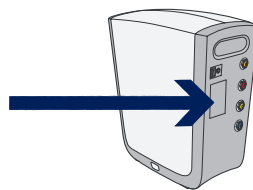
|  |           |
|--|-----------|
| <b>SÉCURITÉ</b>                              | <b>13</b> |
| Consignes de sécurité                        | 13        |
| Informations relatives à la sécurité         | 13        |
| <b>PRÉSENTATION GÉNÉRALE DE L'ÉQUIPEMENT</b> | <b>15</b> |
| Extérieur du Cleone                          | 15        |
| Intérieur du Cleone                          | 16        |
| <b>PRÉSENTATION DU SYSTÈME</b>               | <b>17</b> |
| Description du système                       | 17        |
| Installation                                 | 17        |
| Utilisation prévue                           | 18        |
| Système de filtration d'eau                  | 18        |
| Rinçage intelligent de la membrane           | 18        |
| Système de qualité de l'eau                  | 18        |
| Système anti-fuites                          | 18        |
| Caractéristiques techniques                  | 18        |
| <b>MAINTENANCE</b>                           | <b>19</b> |
| Entretien quotidien                          | 19        |
| Entretien périodique                         | 19        |
| <b>DÉPANNAGE</b>                             | <b>20</b> |
| Résolution de problèmes simples              | 20        |

## Service d'assistance à la clientèle

Consultez la section « Dépannage » pour résoudre les problèmes mineurs avant d'appeler le service d'assistance.

Si vous avez besoin d'assistance technique, munissez-vous des informations suivantes (qui figurent sur la plaque signalétique située à l'arrière de l'osmoseur) lorsque vous appelez votre revendeur Bluewater:

- Modèle
- Code produit
- Numéro de série



## Données environnementales



L'osmoseur est d'autant plus efficace qu'il purifie l'eau pendant de longues périodes.

Exemple : Il est plus efficace de remplir plusieurs litres que de remplir un seul litre à la fois.



80 % des pièces et de l'emballage de l'osmoseur sont étiquetés pour vous aider à convenablement les recycler et les éliminer.



Les appareils portant ce symbole doivent être déposés au point de collecte local destiné à l'élimination des équipements électriques et électroniques usagés.

Ne pas éliminer ce produit par le service normal de collecte des déchets ménagers.

# SÉCURITÉ


## Consignes de sécurité


FR ●

Avant d'installer ou d'utiliser le dispositif, veuillez prendre connaissance des informations de sécurité. Ces consignes doivent être scrupuleusement suivies afin de prévenir les blessures ou la détérioration de l'équipement. Ce manuel contient des MISES EN GARDE et des REMARQUES destinées à garantir l'utilisation sécurisée du dispositif.

---


Le symbole de MISE EN GARDE signale des conditions susceptibles d'entraîner la détérioration possible du produit.

 **ABSTENEZ-VOUS D'UTILISER** le Cleone tant que toutes les conditions de mise en garde énumérées ci-dessous n'ont pas été comprises et satisfaites.


 Un symbole REMARQUE signale des informations importantes pour une utilisation optimale et sans problème du Cleone.

## Informations relatives à la sécurité

---

 Ne débranchez pas les tubes d'eau externes et ne travaillez pas dessus. Contactez votre revendeur Bluewater si vous devez débrancher les tubes d'eau. En cas d'urgence, suivez les instructions du manuel d'utilisation intégral.

---

 Ce dispositif peut être utilisé par des enfants à partir de 8 ans. Il peut également être utilisé par des personnes dont les capacités physiques, sensorielles ou mentales sont réduites ou qui manquent d'expérience et de connaissances, dans la mesure où on leur a montré ou expliqué comment utiliser l'appareil en toute sécurité et qu'elles comprennent les risques encourus.

---

 Ne pas réparer ou altérer les pièces internes du Cleone. Cela pourrait en effet altérer le bon fonctionnement du Cleone, ou le rendre dangereux à utiliser.

---

---

Pour alimenter votre Cleone, utilisez uniquement le raccord d'alimentation Bluewater Cleone d'origine comme source d'alimentation électrique. L'utilisation d'un autre raccord peut poser des risques et rendre le Cleone dangereux à utiliser. Il pourrait également en endommager les parties internes. N'utilisez pas le câble d'alimentation s'il présente des signes d'endommagement. Si le cordon d'alimentation est endommagé, remplacez-le afin d'éviter tout danger.

---



Seuls les techniciens, distributeurs ou le personnel d'entretien agréés de Bluewater sont habilités à procéder aux opérations d'installation, d'entretien et de réparation de l'osmoseur.



au risque de causer un dysfonctionnement de l'appareil susceptible de provoquer des blessures ou des détériorations non couvertes par la garantie. N'utilisez que des cartouches et des pièces de rechange authentiques Bluewater.

---

Ne mettez pas Cleone dans l'eau. Nettoyez la surface avec un chiffon humide et une solution légèrement savonneuse.



Ne pas appliquer de produits chimiques pour nettoyer la surface du Cleone. L'alcool, l'essence, les acides organiques et inorganiques, ainsi que les produits chimiques basiques puissants (tels que le liquide vaisselle concentré) l'abîmeraient.

---



Ne posez pas d'objets sur le dessus de Cleone.

---



N'utilisez pas Cleone avec une eau d'alimentation malsaine sur le plan microbiologique, ou dont la qualité microbiologique est inconnue.

---

# PRÉSENTATION GÉNÉRALE DE L'ÉQUIPEMENT

FR

| Caractéristiques du modèle | Cleone Classic | Cleone Balance | Cleone Ultra | Cleone PurityPlus |
|----------------------------|----------------|----------------|--------------|-------------------|
| Lampe UV                   |                |                | ✓            | ✓                 |
| Filtre à minéraux intégré  |                | ✓              |              | ✓                 |

## Extérieur du Cleone

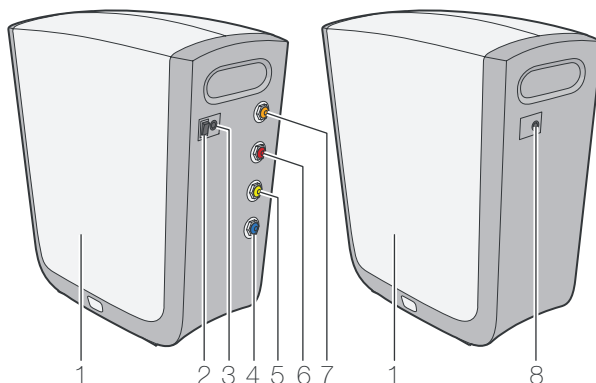


Figure 6. Extérieur du Cleone

| N° | Description                              | N° | Description                                    |
|----|--|----|--|
| 1  | Panneau latéral                          | 5  | Connecteur du réservoir d'eau purifiée - JAUNE |
| 2  | Interrupteur d'alimentation              | 6  | Raccord d'eau d'évacuation- ROUGE              |
| 3  | Branchement électrique                   | 7  | Raccord d'arrivée d'eau - ORANGE               |
| 4  | Raccord du robinet d'eau purifiée - BLEU | 8  | Voyant de fonctionnement du système            |

## Interrupteur d'alimentation

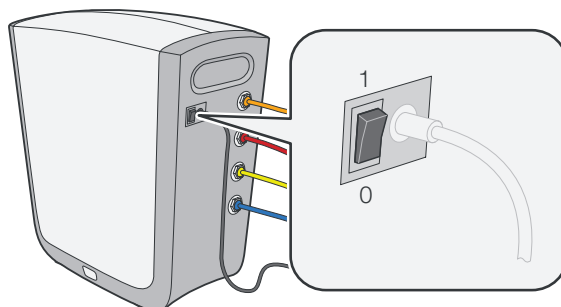


Figure 7. Interrupteur d'alimentation

| Position | Description   |
|----------|---|
| 1        | Le Cleone est allumé. L'eau peut être purifiée.   |
| 0        | Le Cleone est éteint. L'eau n'est pas purifiée. De l'eau purifiée reste disponible jusqu'à ce que le réservoir soit vide. |

## Voyant de fonctionnement du système

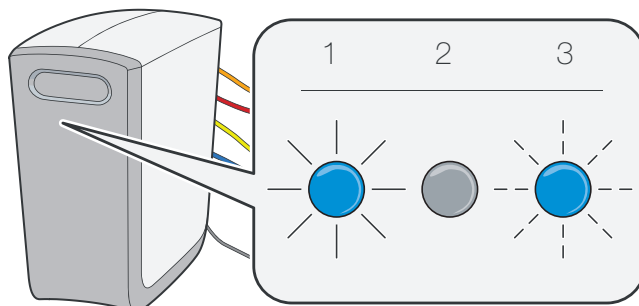


Figure 8. Voyant de fonctionnement du système

| N°                   | Description   |
|----------------------|---|
| 1. Voyant ALLUMÉ     | ● Le Cleone fonctionne correctement. L'interrupteur d'alimentation est sur Marche (position « 1 »).             |
| 2. Voyant ÉTEINT     | ● Le Cléone est hors tension. L'interrupteur d'alimentation est sur Arrêt (position « 0 »).                     |
| 3. Voyant clignotant | ☀ Il y a un problème avec le Cleone. Consultez la section « Dépannage » ou contactez votre revendeur Bluewater. |

## Intérieur du Cleone

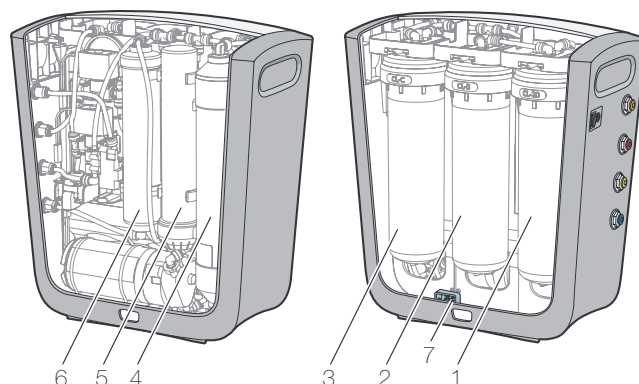


Figure 9. Intérieur du Cleone

| N° | Description   | N° | Description  |
|----|---|----|--|
| 1  | Préfiltre à sédiments grossiers de 20 microns (CL-20) | 5  | Post-filtre à charbon actif (CL-Inline-C)<br>(Classic, Balance, Ultra)<br>Lampe UV (PurityPlus)                  |
| 2  | Préfiltre à sédiments grossiers de 5 microns (CL-5)   | 6  | Lampe UV (Ultra)<br>Filtre minéral intégré (Balance, PurityPlus)<br>La position est laissée vide pour le Classic |
| 3  | Préfiltre à charbon actif (CL-C)                      | 7  | Interrupteur du système anti-fuites  |
| 4  | Membrane d'osmose inverse                             |    |  |



# PRÉSENTATION DU SYSTÈME

## Description du système

FR ●

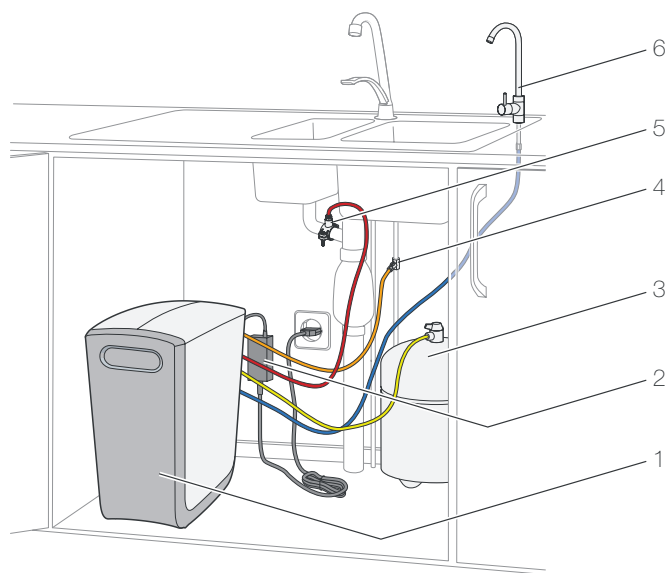



Figure 10. Présentation du système

| N° | Description              | N° | Description                |
|----|--------------------------|----|----------------------------|
| 1  | Osmoseur Cleone          | 4  | Raccord d'arrivée d'eau    |
| 2  | Raccord d'alimentation   | 5  | Raccord d'évacuation d'eau |
| 3  | Réservoir d'eau purifiée | 6  | Robinet d'eau purifiée     |

## Installation

 Pour une installation aux États-Unis, des consignes spéciales sont nécessaires. Voir le manuel d'utilisation complet.

 Nous recommandons de faire effectuer l'installation du Cleone par un professionnel vers lequel un revendeur Bluewater agréé vous aura orienté. Les instructions d'installation se trouvent sur [www.bluewatergroup.com](http://www.bluewatergroup.com).

## Utilisation prévue

Le Cleone est un osmoseur à usage domestique. Ne l'utilisez pas à d'autres fins. Toute utilisation effectuée hors de l'environnement domestique, en intérieur, et à des fins autres que la purification de l'eau pour un usage domestique sera considérée comme un usage non prévu et aura pour effet d'annuler automatiquement votre garantie sur le Cleone.

## Système de filtration d'eau

Le Cleone purifie l'eau en trois étapes : préfiltration, filtration sur membrane et postfiltration. L'eau purifiée de Cleone est recueillie dans le réservoir d'eau purifiée. Lorsque le réservoir est plein, Cleone se met en mode veille. Lorsque le niveau du réservoir d'eau purifiée est bas, Cleone ouvre l'arrivée d'eau et commence à purifier de l'eau supplémentaire.

## Raccords d'eau

Il y a quatre raccords d'eau sur le côté du Cleone consacré aux branchements. Les anneaux de serrage et les tubes suivent un code de couleur.

| Couleur | Raccord                  | Description  |
|---------|--------------------------|--|
| ORANGE  | Arrivée d'eau            | Le raccord d'arrivée d'eau fournit l'eau d'alimentation au Cleone.   |
| ROUGE   | Évacuation d'eau         | L'eau de vidange du Cleone qui part vers le tuyau d'évacuation contient les contaminants rincés et refoulés. |
| JAUNE   | Réservoir d'eau purifiée | L'eau purifiée est recueillie dans le réservoir d'eau purifiée avant d'être acheminée vers le robinet.       |
| BLEU    | Robinet d'eau purifiée   | L'eau purifiée de Cleone est envoyée vers le robinet.  |

## Rinçage intelligent de la membrane

La membrane d'osmose inverse est soumise à un rinçage régulier lorsque le Cleone est en mode veille. La membrane est également rincée avant et après le cycle de purification. Cela permet de garantir que le processus de purification commence toujours par une arrivée d'eau fraîche.

## Système de qualité de l'eau

Le processus de purification est contrôlé en permanence pour garantir la qualité de l'eau. Si la qualité de l'eau baisse, le témoin de fonctionnement du système clignote. Si le problème persiste, le Cleone s'arrête. Voir « Dépannage »

## Système anti-fuites

Un capteur situé au bas du Cleone permet de détecter les fuites d'eau. L'arrivée d'eau est arrêtée lorsqu'une fuite est détectée. Le Cleone ne peut être redémarré qu'une fois la fuite résorbée.

## Caractéristiques techniques



Pour des informations techniques plus détaillées, voir [www.bluewatergroup.com](http://www.bluewatergroup.com).


| Paramètre/Modèle                    | Cleone Classic            | Cleone Balance            | Cleone Ultra              | Cleone PurityPlus         |
|-------------------------------------|---------------------------|---------------------------|---------------------------|---------------------------|
| Dimensions LxPxH [mm (pouces)]      | 215x380x416 (8.5x15x16.4) | 215x380x416 (8.5x15x16.4) | 215x380x416 (8.5x15x16.4) | 215x380x416 (8.5x15x16.4) |
| Poids [kg (lb)]                     | 10.4 (22.9)               | 11 (24.2)                 | 11.4 (25.1)               | 12 (26.5)                 |
| Alimentation électrique             | 95-240V 50-60Hz           | 95-240V 50-60Hz           | 95-240V 50-60Hz           | 95-240V 50-60Hz           |
| Débit d'eau purifiée [l/jour (GPD)] | 160 (43)                  | 160 (43)                  | 160 (43)                  | 160 (43)                  |

# MAINTENANCE

## Entretien quotidien

FR


### Nettoyage du Cleone

 Ne pas appliquer de produits chimiques pour en nettoyer la surface. L'alcool, l'essence, les acides organiques et inorganiques, ainsi que les produits chimiques basiques puissants (tels que le liquide vaisselle concentré) l'abîmeraient.


 Ne pas nettoyer le Cleone à l'aide d'instruments durs, tranchants ou abrasifs.

| Étape | Opération  |
|-------|--|
| 1     | Nettoyer la surface extérieure à l'eau légèrement savonneuse avec un chiffon doux et humide afin d'éliminer la poussière, les taches et la saleté. |
| 2     | Essuyer avec un linge doux et sec.   |

### Entretien périodique

 L'entretien périodique du dispositif est essentiel pour assurer son fonctionnement correct et durable. Seul le personnel d'entretien agréé par Bluewater est habilité à effectuer l'entretien et les réparations de l'osmoseur.

 La qualité de l'eau d'arrivée influence la fréquence de l'entretien. Si l'eau d'alimentation contient des niveaux élevés de solides dissous, procédez plus fréquemment à un entretien.

 Pour obtenir des consignes sur les modalités d'entretien, consultez le manuel d'utilisation complet sur [www.bluewatergroup.com](http://www.bluewatergroup.com).

| Fréquence   | Description   |
|---|---|
| 6 mois  | * Changer le préfiltre à sédiments grossiers de 20 microns (CL-20).   |
|   | * Changer le préfiltre à sédiments fins de 5 microns (CL-5).  |
|   | * Changer le préfiltre à charbon actif (CL-C).  |
|   | *Changer le filtre minéral intégré.   |
|   | Effectuez un contrôle de la pression et de la qualité de l'eau d'alimentation.  |
| 1 an  | * Changer le post-filtre à charbon actif (CL-Inline-C).   |
|   | Changer l'ampoule UV.   |
| 3-5 ans   | * Changer la membrane d'osmose inverse.   |
| *REMARQUE : À chaque fois qu'un filtre est changé | Rincer les nouveaux filtres avant de les utiliser. Voir les procédures de rinçage dans le manuel d'utilisation complet. |

# DÉPANNAGE

## Résolution de problèmes simples



Pour les symptômes ne figurant pas dans le tableau ci-dessous ou les problèmes plus graves, consultez le manuel d'utilisation complet sur [www.bluewatergroup.com](http://www.bluewatergroup.com).

| Symptôme  | Cause   | Solution   |
|---|---|--|
| L'eau ne sort pas du robinet. Le voyant de fonctionnement du système est éteint.  | Le Cleone n'est pas branché à l'alimentation secteur.   | Branchez le Cleone à une prise électrique et au raccord d'alimentation. Assurez-vous que le câble 24V DC du raccord d'alimentation est connecté à la fiche électrique du Cleone.                                     |
|   | Le Cleone ne démarre pas.   | Placez l'interrupteur d'alimentation sur Marche (position "1").  |
|   | Une fuite interne a été détectée. Le Cleone s'est automatiquement arrêté.   | Contactez votre revendeur Bluewater pour réparer la fuite et réinitialiser le système.   |
| L'eau ne sort pas du robinet. Le voyant de fonctionnement du système est allumé.  | Le Cleone a été installé pour la première fois, et le système n'est pas rempli d'eau.                               | Attendez que le système soit rempli d'eau.   |
|   | Les tubes d'eau ne sont pas raccordés ou le raccordement est mal fait.  | Assurez-vous que les raccordements sont corrects.  |
|   | L'entretien périodique n'a pas été fait. Les préfiltres sont bouchés.   | Contactez votre revendeur Bluewater pour procéder à l'entretien du Cleone.   |
| L'eau ne sort pas du robinet. Le voyant de fonctionnement du système clignote très rapidement.<br>(0,1 s ALLUMÉ et 0,1 s ÉTEINT). | La pression d'arrivée d'eau est trop faible et le système de protection de la pompe a stoppé l'alimentation en eau. | Le Cleone se remettra normalement en marche lorsque la pression de l'arrivée d'eau sera revenue à un niveau suffisant. Procédez au rinçage du Cleone conformément aux descriptions du manuel d'utilisation complet.  |
| L'eau ne sort pas du robinet. Le voyant de fonctionnement du système clignote rapidement (0,5 s ALLUMÉ et 0,5 s ÉTEINT).          | Le Cleone s'est arrêté parce que la qualité de l'eau est insuffisante.  | Contactez votre revendeur Bluewater pour une intervention de dépannage.  |
| L'eau sort du robinet. Le voyant de fonctionnement du système clignote rapidement (0,5 s ALLUMÉ et 0,5 s ÉTEINT).                 | La qualité de l'eau a diminué.  | L'utilisation de l'eau purifiée est sans danger. Contactez votre revendeur Bluewater pour des informations complémentaires.  |
| Le voyant de fonctionnement du système clignote lentement (2 s ALLUMÉ et 2 s ÉTEINT).   | Il faut changer les filtres.  | Reportez-vous à la section « Entretien périodique » pour savoir quand changer les filtres. Remplacez les filtres et réinitialisez le voyant de filtre conformément aux descriptions du manuel d'utilisation complet. |

| Symptôme   | Cause   | Solution  |
|--|---|---|
| Le débit du robinet d'eau purifiée est faible.                         | Le réservoir d'eau purifiée est vide suite à une grande consommation d'eau. | Passez à un réservoir plus grand, ou à une membrane haute capacité.   |
|  | La pression d'air du réservoir d'eau purifiée est faible.                   | Contactez votre revendeur Bluewater pour rétablir un niveau de pression d'air suffisant dans le réservoir d'eau purifiée. |
| Un bruit persistant se fait entendre pendant la purification de l'eau. | Il est nécessaire de procéder à l'entretien de la pompe de surpression.     | Contactez votre revendeur Bluewater.  |

# ÍNDICE

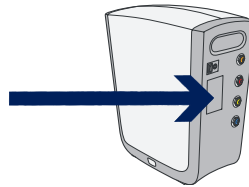
|                                   |           |
|-----------------------------------|-----------|
| <b>SEGURIDAD</b>                  | <b>23</b> |
| Instrucciones de seguridad        | 23        |
| Información de seguridad          | 23        |
| <b>VISTA GENERAL DEL PRODUCTO</b> | <b>25</b> |
| Exterior del Cleone               | 25        |
| Interior del Cleone               | 26        |
| <b>VISTA GENERAL DEL SISTEMA</b>  | <b>27</b> |
| Descripción del sistema           | 27        |
| Instalación                       | 27        |
| Uso previsto                      | 28        |
| Sistema de filtrado del agua      | 28        |
| Limpieza de membrana inteligente  | 28        |
| Sistema de calidad del agua       | 28        |
| Sistema de protección antifugas   | 28        |
| Información técnica               | 29        |
| <b>MANTENIMIENTO</b>              | <b>30</b> |
| Mantenimiento diario              | 30        |
| Mantenimiento regular             | 30        |
| <b>SOLUCIÓN DE PROBLEMAS</b>      | <b>31</b> |
| Cómo resolver problemas sencillos | 31        |

## Atención al cliente

Si tiene alguna incidencia menor, consulte «Solución de problemas» antes de llamar al servicio de atención al cliente.

Si necesita servicio de asistencia técnica, asegúrese de tener disponibles los siguientes datos (que figuran en la parte posterior del purificador) cuando llame a su distribuidor de Bluewater:

- Modelo
- Referencia del producto
- Número de serie



## Información medioambiental



El purificador de agua trabaja de forma más eficaz después de tratar agua durante periodos de tiempo más largos.

Ejemplo: Llenar varios litros resulta más eficiente por litro que llenar un litro cada vez.



El 80 % de los componentes del purificador de agua y su embalaje disponen de una etiqueta que indica el modo correcto de reciclarlos y desecharlos correctamente.



Los equipos que lleven este símbolo deben depositarse en el punto de recepción local designado para la eliminación de aparatos eléctricos y electrónicos de desecho.


Este producto no se debe eliminar junto con la basura doméstica.

# SEGURIDAD

## Instrucciones de seguridad


Antes de instalar o manejar el dispositivo, es obligatorio leer la información de seguridad. Respete las instrucciones del manual para evitar lesiones personales o daños en el equipo. Este manual contiene notas de ATENCIÓN y AVISO útiles para el manejo seguro del dispositivo.


ES


 El símbolo de ATENCIÓN identifica situaciones que pueden causar daños en el equipo. **NO USE** Cleone a menos que se hayan entendido y cumplido todas las condiciones de precaución que se mencionan más adelante.


 El símbolo de una NOTA identifica información importante para un uso óptimo y sin problemas del purificador de agua Cleone.

## Información de seguridad

 No desconecte los tubos de agua externos ni realice ningún tipo de trabajo en ellos. Póngase en contacto con su distribuidor de Bluewater si debe desconectar los tubos de agua. En caso de emergencia, siga las instrucciones incluidas en el Manual completo del usuario.

 Este dispositivo solo pueden utilizarlo niños mayores de 8 años de edad. También lo pueden utilizar personas con discapacidades físicas, sensoriales o mentales, o con falta de experiencia o de conocimientos, siempre que se les supervise o se les faciliten instrucciones sobre el uso seguro del dispositivo y entiendan los riesgos asociados.

 No repare ni cambie los componentes internos del purificador Cleone. Esto podría hacer que el purificador Cleone funcionase de forma incorrecta o que resulte peligroso utilizarlo.

 Utilice únicamente el adaptador de corriente Bluewater original como fuente de alimentación eléctrica del purificador Cleone. La conexión a un adaptador de corriente diferente puede provocar que el uso del purificador Cleone resulte peligroso. También puede dañar los componentes internos del purificador Cleone. No utilice el cable de alimentación si presenta daños visibles. Si el cable de alimentación está dañado, cámbielo para evitar situaciones de peligro.

---

Se aconseja que el mantenimiento y reparación del purificador de agua solo sea realizado por técnicos, distribuidores o profesionales recomendados por un distribuidor autorizado de Bluewater. Si no se realiza de forma adecuada, esto podría ocasionar que funcionase de forma incorrecta y provocar daños que no quedarían cubiertos por la garantía. Solo se pueden utilizar componentes y cartuchos de recambio originales de Bluewater.

---



No sumerja el purificador Cleone en agua. Limpie la superficie con un paño húmedo y una solución jabonosa suave.



No utilice productos químicos para limpiar la superficie del purificador Cleone. El alcohol, la gasolina, los ácidos orgánicos e inorgánicos, o los productos químicos básicos fuertes (como detergentes lavavajillas concentrados) pueden dañar la superficie del purificador

---



No coloque ni almacene objetos encima del purificador Cleone.

---



No utilice el purificador con agua de alimentación que sea peligrosa a nivel microbiológico o si se desconoce su nivel de calidad microbiológico.

---



# VISTA GENERAL DEL PRODUCTO

| Características del modelo | Cleone Classic | Cleone Balance | Cleone Ultra | Cleone PurityPlus |
|----------------------------|----------------|----------------|--------------|-------------------|
| Lámpara UV                 |                |                | ✓            | ✓                 |
| Filtro mineral integrado   |                | ✓              |              | ✓                 |

ES 

## Exterior del Cleone

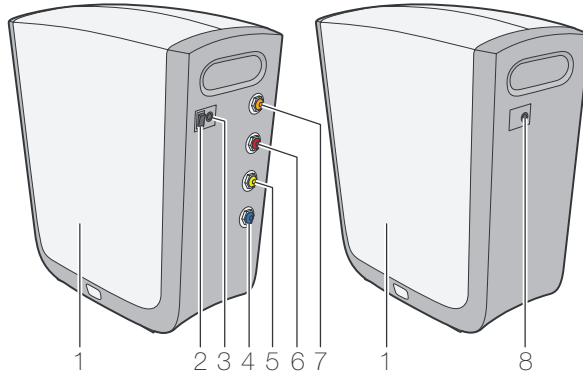


Figure 11. Exterior del Cleone

| Pos | Descripción                                  | Pos | Descripción   |
|-----|--|-----|---|
| 1   | Cubierta lateral                             | 5   | Conector del depósito de agua purificada (AMARILLO) |
| 2   | Interruptor de alimentación                  | 6   | Conector del agua de desagüe (ROJO)                 |
| 3   | Conexión eléctrica                           | 7   | Conector del agua de alimentación (NARANJA)         |
| 4   | Conector del grifo de agua purificada (AZUL) | 8   | Indicador luminoso de funcionamiento del sistema    |

## Interruptor de alimentación

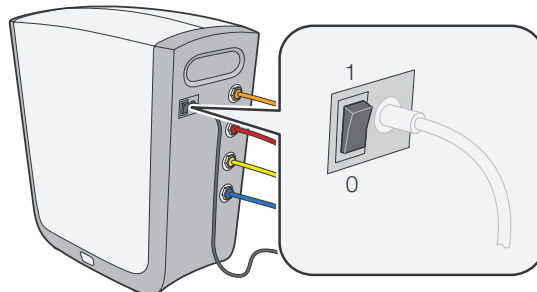


Figure 12. Interruptor de alimentación

| Posición | Descripción   |
|----------|---|
| 1        | El purificador Cleone está encendido y puede purificar el agua.   |
| 0        | El purificador está apagado y no purifica el agua. Es posible utilizar el agua del depósito de agua purificada hasta que este se vacíe. |

## Indicador de funcionamiento del sistema

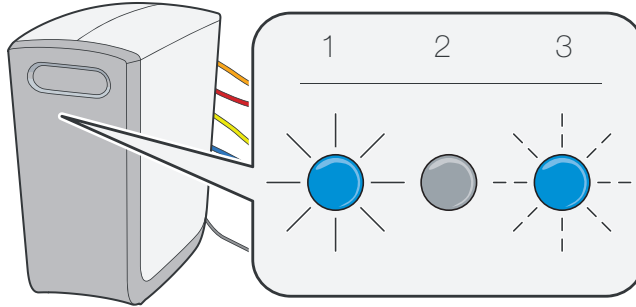


Figure 13. Indicador de funcionamiento del sistema

| Pos                | Descripción   |
|--------------------|---|
| 1. Luz ENCENDIDA ● | Cleone funciona correctamente. El interruptor de alimentación está ENCENDIDO (posición «1»).  |
| 2. Luz APAGADA ●   | Cleone está apagado. El interruptor de alimentación está APAGADO (posición «0»). Si el interruptor de alimentación está ENCENDIDO (posición «1»), pero el indicador luminoso está apagado, consulte «Solución de problemas» o póngase en contacto con su distribuidor de Bluewater. |
| 3. Luz parpadea ●  | Hay un problema con el purificador Cleone. Consulte «Solución de problemas», o póngase en contacto con su distribuidor de Bluewater.  |

## Interior del Cleone

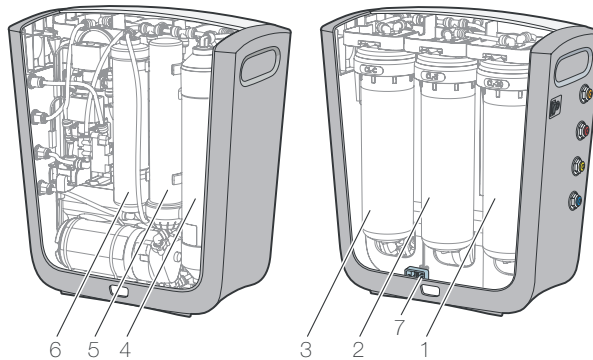
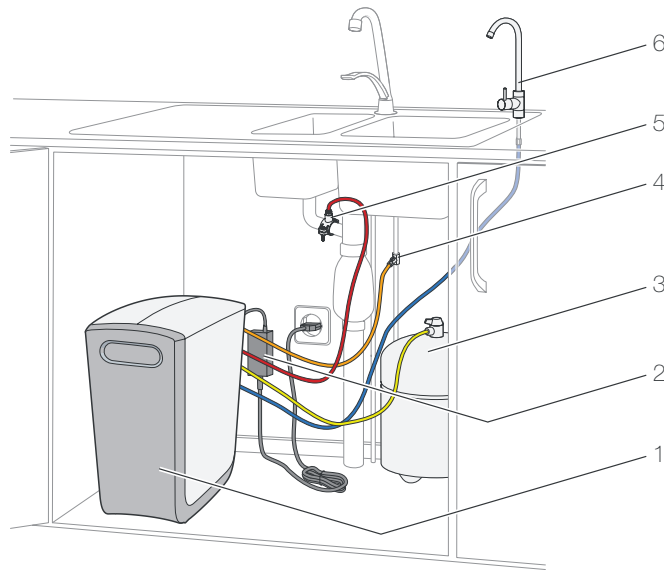


Figure 14. Interior del Cleone

| Pos | Descripción   | Pos | Descripción  |
|-----|---|-----|--|
| 1   | Filtro previo para sedimentos gruesos, 20 micrómetros (CL-20) | 5   | Filtro posterior de carbón activo (CL-Inline-C) Lámpara UV (Classic, Balance, Ultra) (PurityPlus)              |
| 2   | Filtro previo para sedimentos finos, 5 micrómetros (CL-5)     | 6   | Lámpara UV (Ultra) Filtro mineral integrado (Balance, PurityPlus) La posición se ha dejado vacía para Classic. |
| 3   | Filtro previo de carbón activo (CL-C)                         | 7   | Interruptor de sistema de protección antifugas   |
| 4   | Membrana de ósmosis inversa                                   |     |  |

# VISTA GENERAL DEL SISTEMA

## Descripción del sistema



ES

Figure 15. Vista general del sistema

| Pos | Descripción                 | Pos | Descripción                       |
|-----|-----------------------------|-----|-----------------------------------|
| 1   | Purificador de agua Cleone  | 4   | Conexión del agua de alimentación |
| 2   | Adaptador de corriente      | 5   | Conexión del agua de desagüe      |
| 3   | Depósito de agua purificada | 6   | Grifo de agua purificada          |

## Instalación

 Para la instalación en EE.UU. se requieren instrucciones especiales. Consulte el manual completo del usuario.

 Se recomienda encargar la instalación del purificador de agua Cleone a un profesional recomendado por un distribuidor autorizado de Bluewater. Las instrucciones de instalación están disponibles en [www.bluewatergroup.com](http://www.bluewatergroup.com).

## Uso previsto

Cleone es un purificador de agua para uso doméstico. No debe utilizarse para ningún otro fin. Cualquier otro uso en un lugar diferente a un entorno doméstico cerrado o para cualquier otro fin que no sea purificar el agua de uso doméstico, se considera un uso no indicado que anula automáticamente la garantía del purificador Cleone.

## Sistema de filtrado del agua

Cleone purifica el agua en tres pasos: filtrado previo, filtrado por membrana y filtrado posterior. El agua purificada se acumula en el depósito de agua purificada. Cuando dicho depósito se llena, el purificador Cleone adopta el modo de espera. Por el contrario, cuando el nivel del depósito de agua purificada es bajo, el purificador abre el suministro de agua de alimentación y activa el proceso de purificación.

## Conexiones de agua

Existen cuatro conectores de agua en el panel de conexiones del purificador Cleone. Los anillos de conexión y los tubos se identifican mediante un código de colores.

| Color    | Conexión                    | Descripción  |
|----------|-----------------------------|--|
| NARANJA  | Agua de alimentación        | La conexión del agua de alimentación permite la entrada de agua en el purificador Cleone.                        |
| ROJO     | Agua de desagüe             | El agua de desagüe que se vacía desde el Cleone hacia el sumidero contiene la contaminación enjuagada y purgada. |
| AMARILLO | Depósito de agua purificada | El agua purificada se acumula en este depósito antes de su suministro al grifo de agua purificada.               |
| AZUL     | Grifo de agua purificada    | Transporte del agua purificada desde el purificador Cleone hasta el grifo.                                       |

## Limpieza de membrana inteligente

La membrana de ósmosis inversa se enjuaga periódicamente con agua mientras el purificador Cleone está en modo de espera. La membrana también se enjuaga antes y después del ciclo de purificación para garantizar que este siempre arranque con agua de alimentación limpia.

## Sistema de calidad del agua

El proceso de purificación se supervisa constantemente para garantizar que la calidad del agua sea la mejor. Si la calidad del agua disminuye, el indicador de funcionamiento del sistema parpadea. Si el problema persiste, Cleone se detiene. Consulte «Solución de problemas».

## Sistema de protección antifugas

El sensor instalado en la parte inferior del purificador de agua detecta posibles fugas de agua. En caso de fuga, el suministro de entrada de agua se interrumpe. El purificador de agua no debe ponerse en marcha de nuevo hasta que no se haya arreglado la fuga.

## Información técnica



Para una información técnica más detallada, consulte [www.bluewatergroup.com](http://www.bluewatergroup.com).


| Parámetro/Modelo                              | Cleone Classic               | Cleone Balance               | Cleone Ultra                 | Cleone PurityPlus            |
|---|------------------------------|------------------------------|------------------------------|------------------------------|
| Dimensiones<br>An.xPr.xAl. [mm<br>(pulg)]     | 215x380x416<br>(8.5x15x16.4) | 215x380x416<br>(8.5x15x16.4) | 215x380x416<br>(8.5x15x16.4) | 215x380x416<br>(8.5x15x16.4) |
| Peso [kg (lbs)]                               | 10.4 (22.9)                  | 11 (24.2)                    | 11.4 (25.1)                  | 12 (26.5)                    |
| Suministro eléctrico                          | 95-240V 50-60Hz              | 95-240V 50-60Hz              | 95-240V 50-60Hz              | 95-240V 50-60Hz              |
| Caudal de agua<br>purificada [l/día<br>(GPD)] | 160 (43)                     | 160 (43)                     | 160 (43)                     | 160 (43)                     |

ES

# MANTENIMIENTO

## Mantenimiento diario


### Limpeza del purificador de agua Cleone


 No utilice productos químicos para limpiar la superficie. El alcohol, la gasolina, los ácidos orgánicos e inorgánicos, o los productos químicos básicos fuertes (como detergentes lavavajillas concentrados) pueden dañar la superficie.

 No utilice herramientas rígidas, afiladas ni abrasivas para limpiar el purificador Cleone.

| Paso | Acción   |
|------|--|
| 1    | Limpie la superficie externa con un paño húmedo suave y una solución jabonosa suave para eliminar el polvo, las manchas y la suciedad. |
| 2    | Seque la superficie con un paño seco suave.  |

## Mantenimiento regular

 El mantenimiento regular es importante para lograr un funcionamiento correcto y duradero. Se aconseja que las tareas de mantenimiento solo las lleve a cabo personal de servicio autorizado por Bluewater.

 La calidad del agua de alimentación controla la frecuencia del mantenimiento. Si el agua de alimentación contiene niveles elevados de sólidos disueltos, realice el mantenimiento con mayor frecuencia.

 Para más información sobre cómo efectuar el mantenimiento, consulte el manual completo del usuario en [www.bluewatergroup.com](http://www.bluewatergroup.com).

| Frecuencia                                 | Descripción  |
|--|--|
| 6 meses                                    | *Sustitución del filtro previo para sedimentos gruesos, 20 micrómetros (CL-20).  |
|  | *Sustitución del filtro previo para sedimentos finos, 5 micrómetros (CL-5).  |
|  | *Sustitución del filtro previo de carbón activo (CL-C).  |
|  | *Sustitución del filtro mineral integrado.   |
|  | Comprobación de la calidad y la presión del agua de alimentación.  |
| 1 año                                      | *Sustitución del filtro previo de carbón activo (CL-C).  |
|  | Sustitución de la lámpara UV.  |
| 3-5 años                                   | *Sustitución de la membrana de ósmosis inversa.  |
| *NOTA: Cada vez que se sustituye un filtro | Limpie los filtros nuevos antes de usarlos. Consulte los procedimientos de limpieza en el Manual completo del usuario. |

# SOLUCIÓN DE PROBLEMAS

## Cómo resolver problemas sencillos



Para solucionar problemas que no figuran en la siguiente tabla o más graves, consulte el Manual completo del usuario [www.bluewatergroup.com](http://www.bluewatergroup.com).

ES

| Problema  | Causa  | Solución   |
|---|--|--|
| Por el grifo de agua purificada no sale agua. El indicador luminoso de funcionamiento del sistema está apagado.   | Cleone no está conectado a la alimentación.  | Conecte el purificador Cleone al adaptador de corriente y a una toma eléctrica. Asegúrese de que el cable de 24 V CC del adaptador de corriente está bien conectado al enchufe eléctrico del purificador Cleone. |
|   | Cleone está apagado.   | Ponga el interruptor de alimentación en encendido (posición «1»).  |
|   | Se ha detectado una fuga interna. Cleone se ha detenido automáticamente.   | Póngase en contacto con un distribuidor de Bluewater para subsanar la fuga y restablecer el sistema.   |
| Por el grifo de agua purificada no sale agua. El indicador luminoso de funcionamiento del sistema está encendido.   | Cleone se ha instalado por primera vez y el sistema no se ha llenado de agua.  | Espere a que el sistema se llene de agua.  |
|   | Los tubos de agua no están conectados o su conexión es incorrecta.   | Asegúrese de que las conexiones se hayan efectuado correctamente.  |
|   | No se ha efectuado el mantenimiento regular. Los filtros previos están obstruidos.   | Póngase en contacto con su distribuidor de Bluewater para realizar el mantenimiento del purificador Cleone.  |
| Por el grifo de agua purificada no sale agua. El indicador luminoso de funcionamiento del sistema parpadea muy rápidamente. (0,1 s ENCENDIDO, 0,1 s APAGADO). | La presión del agua de alimentación es demasiado baja y el sistema de protección de la bomba ha cortado el suministro de agua de alimentación. | Cleone reanudará su funcionamiento normal cuando la presión del agua de alimentación se restablezca. Cleone como se describe en el Manual completo del usuario.  |
| Por el grifo de agua purificada no sale agua. El indicador luminoso de funcionamiento del sistema parpadea rápidamente (0,5 s ENCENDIDO, 0,5 s APAGADO).      | Cleone se ha detenido porque la calidad del agua es baja.  | Póngase en contacto con un distribuidor de Bluewater para obtener asistencia técnica.  |

| Problema   | Causa   | Solución   |
|--|---|--|
| Sale agua del grifo de agua purificada. El indicador luminoso de funcionamiento del sistema parpadea rápidamente (0,5 s ENCENDIDO, 0,5 s APAGADO). | La calidad del agua ha disminuido.  | Es seguro utilizar el agua purificada. Póngase en contacto con un distribuidor de Bluewater para más información.  |
| El indicador luminoso de funcionamiento del sistema parpadea lentamente (2 s ENCENDIDO, 2 s APAGADO).  | Los filtros se deben cambiar.   | Consulte «Mantenimiento regular» para obtener información sobre cuándo cambiar los filtros. Cambie los filtros y reinicie el indicador de filtro como se describe en el Manual completo del usuario. |
| El caudal del grifo de agua purificada es bajo.  | El depósito de agua purificada está vacío debido a un gran consumo de agua. | Instale un depósito más grande o una membrana de mayor capacidad.  |
|  | La presión de aire en el depósito de agua purificada es baja.               | Póngase en contacto con un distribuidor de Bluewater para restablecer la presión de aire apropiada en el depósito de agua purificada.  |
| Emisión de mucho ruido continuo durante la purificación del agua.  | Es necesario efectuar el mantenimiento de la bomba reforzadora.             | Póngase en contacto con su distribuidor de Bluewater.  |



# ÍNDICE

|                                  |           |
|----------------------------------|-----------|
| <b>SEGURANÇA</b>                 | <b>34</b> |
| Instruções de segurança          | 34        |
| Informações de segurança         | 34        |
| <b>VISÃO GERAL DO PRODUTO</b>    | <b>36</b> |
| Exterior do Cleone               | 36        |
| Interior do Cleone               | 38        |
| <b>VISÃO GERAL DO SISTEMA</b>    | <b>39</b> |
| Descrição do sistema             | 39        |
| Instalação                       | 39        |
| Utilização pretendida            | 40        |
| Sistema de filtragem de água     | 40        |
| Lavagem por membrana inteligente | 40        |
| Sistema de qualidade de água     | 40        |
| Sistema de proteção contra fugas | 40        |
| Informações técnicas             | 41        |
| <b>MANUTENÇÃO</b>                | <b>42</b> |
| Manutenção diária                | 42        |
| Manutenção regular               | 42        |
| <b>RESOLUÇÃO DE PROBLEMAS</b>    | <b>43</b> |
| Resolução de problemas simples   | 43        |

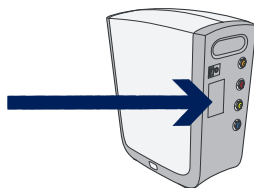
PT

## Assistência ao cliente

Consulte a secção «Resolução de problemas» para resolver pequenos problemas antes de solicitar assistência.

Caso necessite de assistência externa, certifique-se de que tem à mão os seguintes dados (localizados na parte traseira do purificador) quando contactar a Bluewater:

- Modelo
- Referência do produto
- Número de série



## Informações ambientais



O purificador de água é mais eficiente na purificação de água durante períodos mais longos.

Exemplo: encher o depósito com vários litros é mais eficiente por litro do que encher apenas um litro de cada vez.



80% dos componentes do purificador de água e da sua embalagem contêm uma etiqueta para o ajudar a reciclá-los e eliminá-los corretamente.



Os aparelhos marcados com este símbolo devem ser depositados no ponto de recolha local designado para a eliminação de equipamento elétrico e eletrónico.


Este produto não pode ser eliminado através dos processos normais de recolha de resíduos domésticos.

# SEGURANÇA

## Instruções de segurança

Antes de instalar ou utilizar o aparelho, deve ler as informações de segurança. Cumpra as instruções neste manual para evitar lesões ou danos ao equipamento. Este manual contém indicações de ATENÇÃO e NOTAS aplicáveis ao funcionamento do aparelho em segurança.


---


 Uma indicação de ATENÇÃO identifica condições que podem causar danos ao equipamento. **NÃO UTILIZE** o Cleone a menos que todas as condições de precaução indicadas abaixo tenham sido compreendidas e cumpridas.


 Um símbolo de NOTA identifica informações importantes para uma utilização ideal e sem problemas do Cleone.

---


## Informações de segurança

 Não desligue os tubos de água externos e não trabalhe sobre os mesmos. Consulte o seu concessionário Bluewater para obter ajuda no caso de ter de desligar os tubos de água. Numa situação de emergência, siga as instruções no Manual do Utilizador.

 Este aparelho pode ser utilizado por crianças com idade superior a 8 anos. Também pode ser utilizado por pessoas com capacidades físicas, sensoriais ou mentais diminuídas ou sem experiência e conhecimento, desde que supervisionadas ou instruídas sobre o modo de emprego do aparelho e compreendam os riscos envolvidos.

 Não repare nem modifique os componentes internos do Cleone. Poderá provocar o funcionamento incorreto do Cleone ou tornar perigosa a sua utilização.

---

 Utilize apenas o transformador Bluewater original como fonte de alimentação elétrica do Cleone. A utilização de um transformador diferente pode tornar perigosa a utilização do Cleone. Pode também danificar as peças internas do Cleone. Não utilize o cabo de alimentação se este apresentar sinais visíveis de danos. Caso o cabo se encontre danificado, substitua-o para evitar situações de perigo.

---

---

Recomenda-se que a instalação, manutenção e reparação do purificador de água sejam apenas efetuadas por técnicos, distribuidores ou pessoal de assistência aprovados pela Bluewater. Se estas operações não forem executadas de forma adequada, pode fazê-lo funcionar incorretamente e causar lesões e danos não cobertos pela garantia. Utilize apenas cartuchos e peças de substituição originais da Bluewater.



---

Não coloque o Cleone em água. Limpe a superfície com um pano embebido em solução com pouco detergente. Não utilize produtos químicos para limpar a superfície do Cleone. A utilização de álcool, petróleo, ácidos orgânicos e inorgânicos, produtos químicos básicos fortes (como detergente concentrado para máquina de lavar loiça) danificará a superfície do Cleone.



---

Não coloque nem mantenha objetos em cima do Cleone.



---

Não utilize o Cleone com alimentação de água que seja microbiologicamente perigosa ou cuja qualidade microbiológica seja desconhecida.

---

PT



# VISÃO GERAL DO PRODUTO

| Modelo                   | Cleone Classic | Cleone Balance | Cleone Ultra | Cleone PurityPlus |
|--------------------------|----------------|----------------|--------------|-------------------|
| Lâmpada de UV            |                |                | ✓            | ✓                 |
| Filtro mineral integrado |                | ✓              |              | ✓                 |

## Exterior do Cleone

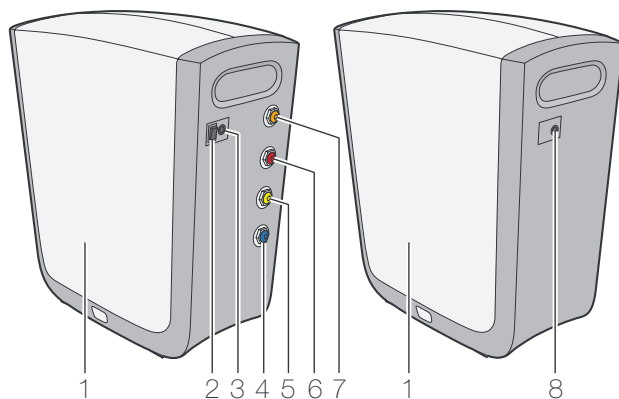
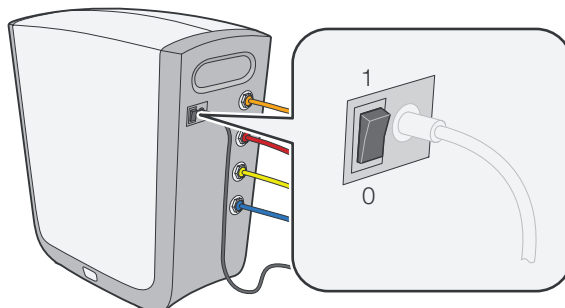


Figure 16. Exterior do Cleone

| Item | Descri o                                       | Item | Descri o  |
|------|--|------|---|
| 1    | Cobertura lateral                              | 5    | Conector do dep sito de  gua purificada - AMARELO |
| 2    | Interruptor de alimenta o                      | 6    | Conector de drenagem de  gua - VERMELHO           |
| 3    | Liga o el trica                                | 7    | Conector de  gua de entrada - COR-DE-LARANJA      |
| 4    | Conector de torneira de  gua purificada - AZUL | 8    | Indicador de funcionamento do sistema             |

## Interruptor de alimentação



PT

Figure 17. Interruptor de alimentação

| Item | Descrição  |
|------|--|
| 1    | O Cleone está a funcionar. A água pode ser purificada.   |
| 0    | O Cleone está parado. A água não está a ser purificada. A água do depósito de água purificada pode ser utilizada até o depósito ficar vazio. |

## Indicador de funcionamento do sistema

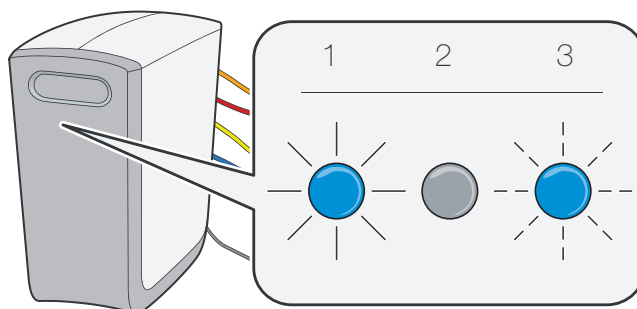


Figure 18. Indicador de funcionamento do sistema

| Item                                  | Descrição  |
|---------------------------------------|--|
| 1. Indicador luminoso ligado (ON)     | O Cleone está a funcionar de forma correta. O interruptor de alimentação está ligado (posição "1").  |
| 2. Indicador luminoso desligado (OFF) | O Cleone está desligado. O interruptor de alimentação está desligado (posição "0").  |
| 3. Indicador luminoso a piscar        | Se o interruptor de alimentação está ligado (posição "1"), mas o indicador luminoso está desligado, consulte a secção «Resolução de problemas» ou contacte o seu concessionário Bluewater. |
|                                       | O Cleone tem um problema. Consulte a secção «Resolução de problemas» ou contacte o seu concessionário Bluewater.   |

## Interior do Cleone

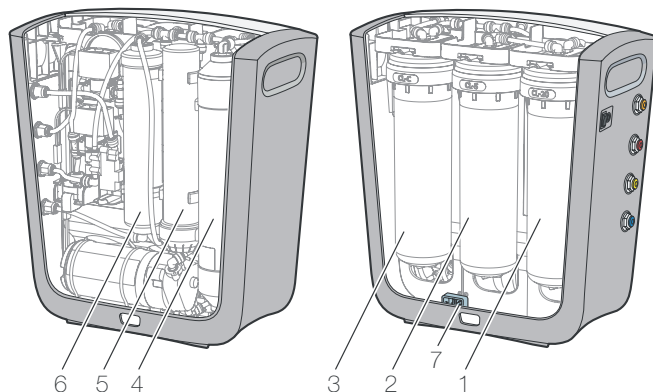
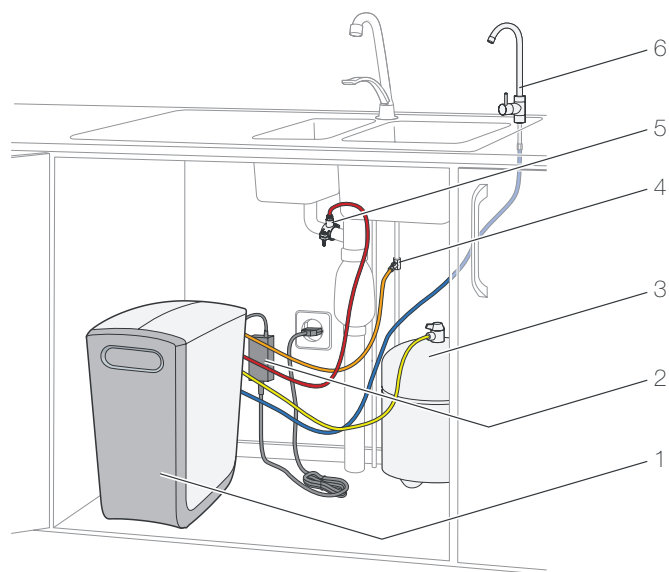


Figure 19. Interior do Cleone

| Item | Descrição  | Item | Descrição   |
|------|--|------|---|
| 1    | Pré-filtro de sedimentos grosseiros de 20 micrones (CL-20) | 5    | Pós-filtro de carvão ativado (CL-Inline-C) (Classic, Balance, Ultra) Lâmpada de UV (PurityPlus)           |
| 2    | Pré-filtro de sedimentos finos de 5 micrones (CL-5)        | 6    | Lâmpada de UV (Ultra) Filtro mineral integrado (Balance, PurityPlus) A posição é deixada vazia no Classic |
| 3    | Pré-filtro de carvão ativado (CL-C)                        | 7    | Interruptor do sistema de proteção contra fugas   |
| 4    | Membrana de osmose inversa                                 |      |   |

# VISÃO GERAL DO SISTEMA

## Descrição do sistema



PT ●

Figure 20. Visão geral do sistema

| Item | Descrição                   | Item | Descrição                      |
|------|-----------------------------|------|--------------------------------|
| 1    | Purificador de água Cleone  | 4    | Ligação de alimentação de água |
| 2    | Transformador               | 5    | Ligação de drenagem de água    |
| 3    | Depósito de água purificada | 6    | Torneira de água purificada    |

## Instalação



A instalação nos EUA exige instruções especiais. Consulte o Manual do Utilizador.



O Cleone deve ser instalado por um profissional recomendado por um concessionário Bluewater autorizado. As instruções de instalação encontram-se em [www.bluewatergroup.com](http://www.bluewatergroup.com).

## Utilização pretendida

O Cleone é um purificador de água concebido para utilização doméstica. Não deve ser utilizado para qualquer outro fim. Qualquer utilização fora do ambiente doméstico no interior de casa e para outros fins que não sejam a purificação de água doméstica é considerada como utilização não pretendida e invalidará automaticamente a garantia do Cleone.

## Sistema de filtragem de água

O Cleone purifica a água em três passos: pré-filtragem, filtragem por membrana e pós-filtragem. A água purificada pelo Cleone é recolhida no depósito de água. Quando o depósito está cheio, o Cleone entra em modo de espera. Quando o nível do depósito de água purificada está baixo, o Cleone abre a alimentação de água e começa a purificar mais água.

## Ligações de água

O Cleone possui quatro conectores de água. Os tubos e os encaixes têm um código de cores.

| Cor            | Ligação                     | Descrição  |
|----------------|-----------------------------|--|
| COR-DE-LARANJA | Alimentação de água         | A ligação da alimentação de água fornece água ao Cleone.   |
| VERMELHO       | Drenagem de água            | A drenagem de água do Cleone para o tubo de drenagem contém contaminação rejeitada e proveniente da lavagem.       |
| AMARELO        | Depósito de água purificada | A água purificada é recolhida no depósito de água purificada antes de ser fornecida à torneira de água purificada. |
| AZUL           | Torneira de água purificada | A água purificada pelo Cleone é fornecida à torneira de água purificada.   |

## Lavagem por membrana inteligente

A membrana de osmose inversa é lavada regularmente com água quando o Cleone está em modo de espera. A membrana também é lavada antes e depois do ciclo de purificação. Tal garante que o processo de purificação seja sempre iniciado com alimentação de água fresca.

## Sistema de qualidade de água

O processo de purificação é continuamente monitorizado para garantir que a qualidade da água é elevada. Se a qualidade da água diminuir, o indicador luminoso de funcionamento do sistema fica intermitente. Se o problema persistir, o Cleone para. Consulte a secção «Resolução de problemas».

## Sistema de proteção contra fugas

Um sensor no fundo do Cleone deteta fugas de água. Caso haja uma fuga, a alimentação de água é interrompida. O Cleone não pode ser ligado novamente enquanto a fuga não estiver reparada.



## Informações técnicas



Para informações técnicas mais pormenorizadas, consulte [www.bluewatergroup.com](http://www.bluewatergroup.com).

| Parâmetro/Modelo                  | Cleone Classic               | Cleone Balance               | Cleone Ultra                 | Cleone PurityPlus            |
|-----------------------------------|------------------------------|------------------------------|------------------------------|------------------------------|
| Dimensões LxPxA [mm]              | 215x380x416<br>(8.5x15x16.4) | 215x380x416<br>(8.5x15x16.4) | 215x380x416<br>(8.5x15x16.4) | 215x380x416<br>(8.5x15x16.4) |
| Peso [kg]                         | 10.4 (22.9)                  | 11 (24.2)                    | 11.4 (25.1)                  | 12 (26.5)                    |
| Fonte de alimentação              | 95-240V 50-60Hz              | 95-240V 50-60Hz              | 95-240V 50-60Hz              | 95-240V 50-60Hz              |
| Débito de água purificada [l/dia] | 160 (43)                     | 160 (43)                     | 160 (43)                     | 160 (43)                     |


PT



# MANUTENÇÃO

## Manutenção diária


### Limpeza do Cleone


 Não utilize produtos químicos para limpar a superfície. A utilização de álcool, petróleo, ácidos orgânicos e inorgânicos, produtos químicos básicos fortes (como detergente concentrado para máquina de lavar loiça) danificará a superfície.

 Não utilize ferramentas metálicas, afiadas ou abrasivas para limpar o Cleone.

| Passo | Acção   |
|-------|---|
| 1     | Limpe a superfície exterior com um pano macio embebido em solução com pouco detergente para remover pó, manchas e sujidade. |
| 2     | Seque com um pano seco e macio.   |

### Manutenção regular

 A manutenção regular é importante para o correto funcionamento e a operação a longo prazo. Recomenda-se que a manutenção e/ou a reparação sejam efetuadas sempre por técnicos aprovados pela Bluewater.

 A qualidade da água de alimentação dita a frequência de manutenção. Se a água de alimentação contiver níveis elevados de sólidos dissolvidos, realize a manutenção com mais frequência.

 Para obter instruções sobre como fazer a manutenção, consulte o Manual do Utilizador em [www.bluewatergroup.com](http://www.bluewatergroup.com).

| Frequência                                | Descrição  |
|---|--|
| 6 meses                                   | *Substitua o pré-filtro de sedimentos grosseiros de 20 micrones (CL-20).                           |
|   | *Substitua o pré-filtro de sedimentos finos de 5 micrones (CL-5).                                  |
|   | *Substitua o pré-filtro de carvão ativado (CL-C).  |
|   | *Substitua o filtro mineral integrado.   |
|   | Proceda a uma verificação da qualidade e pressão da água de alimentação.                           |
| 1 ano                                     | *Substitua o pós-filtro de carvão ativado (CL-Inline-C).   |
|   | Substitua a lâmpada de UV.   |
| 3-5 anos                                  | *Substitua a membrana de osmose inversa.   |
| *NOTA: Sempre que um filtro é substituído | Lave os novos filtros antes da utilização. Consulte o processo de lavagem no Manual do Utilizador. |

# RESOLUÇÃO DE PROBLEMAS

## Resolução de problemas simples



Para problemas mais graves ou sintomas que não constam do quadro abaixo, consulte o Manual do Utilizador em [www.bluewatergroup.com](http://www.bluewatergroup.com).

| Sintoma  | Causa  | Solução  |
|--|--|--|
| Não sai água da torneira de água purificada. O indicador luminoso de funcionamento do sistema está desligado.  | O Cleone não está ligado à alimentação elétrica.   | Ligue o Cleone ao transformador e a uma tomada de alimentação elétrica. Certifique-se de que o cabo de 24 V CC do transformador está ligado à tomada de alimentação elétrica no Cleone.                |
|  | O Cleone não está a funcionar.   | Coloque o interruptor de alimentação na posição 1.   |
|  | Foi detetada uma fuga interna. O Cleone parou automaticamente.   | Contacte o seu concessionário Bluewater para reparar a fuga e reiniciar o sistema.   |
| Não sai água da torneira de água purificada. O indicador luminoso de funcionamento do sistema está ligado.   | O Cleone foi instalado pela primeira vez e o sistema não está abastecido com água.                                     | Aguarde que o sistema fique abastecido com água.   |
|  | Os tubos de água não estão ligados ou a ligação foi feita incorretamente.  | Certifique-se de que as ligações estão feitas de forma correta.  |
|  | Não foi efetuada a manutenção regular. Os pré-filtros estão obstruídos.  | Contacte o seu concessionário Bluewater para proceder à manutenção do Cleone.  |
| Não sai água da torneira de água purificada. O indicador luminoso de funcionamento do sistema pisca muito rapidamente (0,1 s ligado, 0,1 s desligado). | A pressão da alimentação de água é demasiado baixa e o sistema de proteção da bomba interrompeu a alimentação de água. | O Cleone começará a funcionar normalmente quando a pressão da alimentação de água for reposta. Lave o Cleone como descrito no Manual do Utilizador.  |
| Não sai água da torneira de água purificada. O indicador luminoso de funcionamento do sistema pisca rapidamente (0,5 s ligado, 0,5 s desligado).       | O Cleone parou porque a qualidade da água é reduzida.  | Contacte o seu concessionário Bluewater para obter assistência técnica.  |
| Sai água da torneira de água purificada. O indicador luminoso de funcionamento do sistema pisca rapidamente (0,5 s ligado, 0,5 s desligado).           | A qualidade da água diminuiu.  | É seguro utilizar a água purificada. Contacte o seu concessionário Bluewater para obter mais informações.  |
| O indicador luminoso de funcionamento do sistema pisca lentamente (2 s ligado, 2 s desligado).   | Os filtros devem ser substituídos.   | Consulte a secção «Manutenção regular» para obter informações sobre quando deve substituir os filtros. Substitua os filtros e reponha o indicador de filtro conforme descrito no Manual do Utilizador. |

PT

| Sintoma   | Causa   | Solução  |
|---|---|--|
| O débito da torneira de água purificada é baixo.        | O depósito de água purificada está vazio devido a um elevado consumo de água. | Obtenha um depósito maior ou uma membrana de capacidade mais elevada.                                      |
|   | A pressão de ar no depósito de água purificada está baixa.                    | Contacte o seu concessionário Bluewater para repor a pressão de ar correta no depósito de água purificada. |
| Demasiado ruído contínuo durante a purificação da água. | É necessário proceder à manutenção da bomba de reforço.                       | Contacte o seu concessionário Bluewater.   |

# INDICE

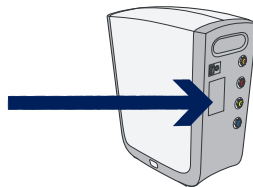
|  |           |
|--|-----------|
| <b>SICUREZZA</b>                                 | <b>46</b> |
| Istruzioni per la sicurezza                      | 46        |
| Istruzioni per la sicurezza                      | 46        |
| <b>PANORAMICA DEL PRODOTTO</b>                   | <b>48</b> |
| Parte esterna di Cleone                          | 48        |
| Parte interna di Cleone                          | 49        |
| <b>PANORAMICA DEL SISTEMA</b>                    | <b>50</b> |
| Descrizione del sistema                          | 50        |
| Installazione                                    | 50        |
| Destinazione d'uso                               | 51        |
| Sistema di filtrazione dell'acqua                | 51        |
| Lavaggio della membrana intelligente             | 51        |
| Sistema di qualità dell'acqua                    | 51        |
| Sistema di protezione dalle perdite              | 51        |
| Informazioni tecniche                            | 52        |
| <b>MANUTENZIONE</b>                              | <b>53</b> |
| Manutenzione giornaliera                         | 53        |
| Manutenzione regolare                            | 53        |
| <b>INDIVIDUAZIONE E RISOLUZIONE DEI PROBLEMI</b> | <b>54</b> |
| Come risolvere problemi semplici                 | 54        |

## Assistenza ai clienti

Consultare la sezione "Individuazione e risoluzione dei problemi" per risolvere problemi minori prima di contattare l'assistenza tecnica.

Se si richiede assistenza tecnica, assicurarsi di avere a disposizione i dati seguenti (reperibili sulla targhetta identificativa) quando si contatta il rivenditore Bluewater di zona:

- Modello
- Codice prodotto
- Numero di serie



## Informazioni ambientali



Il depuratore d'acqua è più efficiente quando depura l'acqua per periodi di tempo prolungati.

Esempio: È più efficiente riempire diversi litri anziché un solo litro alla volta.



L'80% dei componenti del depuratore d'acqua e il relativo imballaggio sono dotati di un'etichetta per facilitare il riciclo e lo smaltimento corretti.



Le apparecchiature recanti questo simbolo devono essere depositate presso il punto di raccolta locale previsto per lo smaltimento delle apparecchiature elettriche ed elettroniche.




Questo prodotto non può essere smaltito con i normali processi di raccolta dei rifiuti domestici.

# SICUREZZA

## Istruzioni per la sicurezza

Prima di installare o utilizzare il dispositivo, leggere le informazioni sulla sicurezza. Rispettare le istruzioni contenute nel presente manuale per evitare danni alle persone o all'apparecchio. Questo manuale contiene AVVERTENZE e NOTE da seguire per un funzionamento sicuro del dispositivo.


---

 Il simbolo di AVVERTENZA identifica le condizioni che possono causare danni all'apparecchio. **NON UTILIZZARE** Cleone se non vengono comprese e soddisfatte tutte le condizioni cautelative elencate qui sotto.

 Il simbolo di NOTA identifica informazioni importanti per l'utilizzo senza problemi e ottimale di Cleone.

---

## Istruzioni per la sicurezza

 Non scollegare i flessibili esterni dell'acqua e non intervenire su di essi. Se occorre scollegare i flessibili dell'acqua, contattare il rivenditore Bluewater di zona. In caso di emergenza, seguire le istruzioni fornite nel Manuale d'uso completo.

Questo dispositivo può essere usato dai bambini con età superiore a 8 anni. Può anche essere utilizzato da persone con ridotte capacità fisiche, sensoriali o mentali o con mancanza di esperienza o conoscenza se sono sorvegliate oppure se hanno ricevuto istruzioni riguardo l'utilizzo in sicurezza dell'apparecchio e se ne hanno compreso i rischi connessi.

 Non riparare o modificare i componenti interni di Cleone. Questo potrebbe causare un funzionamento errato di Cleone o renderne pericoloso l'utilizzo.

---

---

Utilizzare solo l'adattatore di alimentazione Bluewater originale come fonte di alimentazione elettrica di Cleone.



L'impiego di un adattatore diverso può rendere l'utilizzo di Cleone pericoloso. Può anche danneggiare le parti interne di Cleone. Non usare il cavo di alimentazione se presenta segni visibili di danneggiamento. Se il cavo di alimentazione è danneggiato, sostituirlo onde evitare pericoli.

---

Consigliamo che l'installazione, la manutenzione e le riparazioni del depuratore d'acqua vengano effettuate unicamente da tecnici, distributori o da personale addetto alla manutenzione di Bluewater. Se non eseguiti correttamente, tali interventi possono causare un funzionamento errato e provocare danni a persone e cose non coperti dalla garanzia. Utilizzare esclusivamente cartucce e ricambi originali Bluewater.

---

Non immergere Cleone in acqua. Pulire la superficie con un panno umido e una soluzione delicata a base di sapone. Non



utilizzare prodotti chimici per pulire la superficie di Cleone. Alcol, benzina, acidi organici e inorganici e basi forti (come il detergente per piatti concentrato) causano danni alla superficie di Cleone.

---



Non collocare o riporre oggetti sopra a Cleone.

---



Non usare Cleone in presenza di acqua in ingresso microbiologicamente pericolosa o in ambienti in cui la qualità microbiologica dell'acqua non sia nota.

---

# PANORAMICA DEL PRODOTTO

| Modello                   | Caratteristiche | Cleone Classic | Cleone Balance | Cleone Ultra | Cleone PurityPlus |
|---------------------------|-----------------|----------------|----------------|--------------|-------------------|
| Lampada UV                |                 |                |                | ✓            | ✓                 |
| Filtro minerale integrale |                 |                | ✓              |              | ✓                 |

## Esterno di Cleone

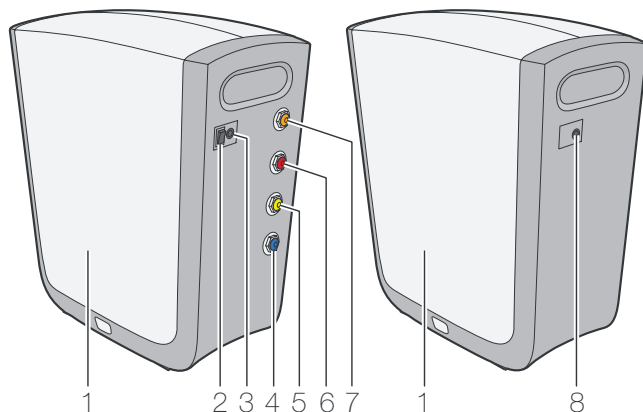


Figure 21. Esterno di Cleone

| Pos | Descrizione   | Pos | Descrizione   |
|-----|---|-----|---|
| 1   | Coperchio laterale                                    | 5   | Connettore del serbatoio dell'acqua depurata - GIALLO |
| 2   | Interruttore di accensione                            | 6   | Connettore dell'acqua di scarico - ROSSO              |
| 3   | Collegamento elettrico                                | 7   | Connettore dell'acqua in ingresso - ARANCIONE         |
| 4   | Connettore del rubinetto dell'acqua depurata - GIALLO | 8   | Spia dell'indicatore di funzionamento del sistema     |

## Interruttore di accensione

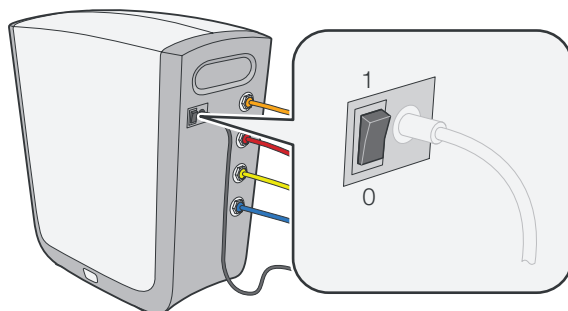


Figure 22. Interruttore di accensione

| Posizione | Descrizione   |
|-----------|---|
| 1         | Cleone è avviato. L'acqua può essere depurata.  |
| 0         | Cleone viene arrestato. L'acqua non viene depurata. L'acqua depurata è ancora disponibile fino a quando il serbatoio si svuota. |



## Indicatore di funzionamento del sistema

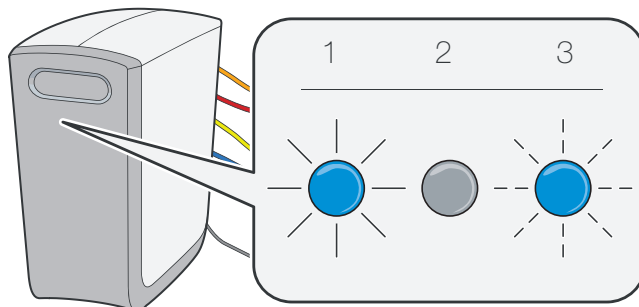





Figure 23. Indicatore di funzionamento del sistema

| Pos   | Descrizione  |
|---|--|
| 1. Spia ON (accensione)    | Cleone sta funzionando correttamente. L'interruttore di alimentazione è acceso (posizione "1").  |
| 2. Spia OFF (spegnimento)  | Cleone è spento. L'interruttore di alimentazione è spento (posizione "0").<br>Se l'interruttore di alimentazione è acceso (posizione "1"), ma la spia dell'indicatore è spenta, consultare la sezione "individuazione e risoluzione dei problemi" o contattare il rivenditore Bluewater di zona. |
| 3. Spia lampeggiant        | Si è verificato un problema con Cleone. Fare riferimento alla sezione "Individuazione e risoluzione dei problemi" o contattare il rivenditore Bluewater di zona.   |

## Interno di Cleone

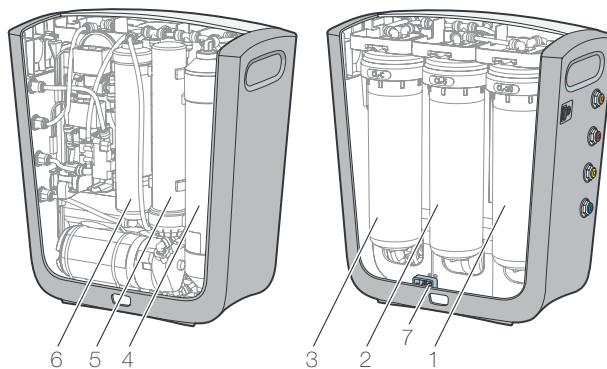


Figure 24. Interno di Cleone

| Pos | Descrizione  | Pos | Descrizione  |
|-----|--|-----|--|
| 1   | Pre-filtro sedimenti grossolani da 20 micron (CL-20) | 5   | Post-filtro a carbone attivo (CL-In linea-C)<br>Lampada UV<br>(Classic, Balance, Ultra)<br>(PurityPlus)    |
| 2   | Pre-filtro sedimenti fini da 5 micron (CL-5)         | 6   | Lampada UV<br>Filtro minerale integrale<br>Posizione vuota per Classic<br>(Ultra)<br>(Balance, PurityPlus) |
| 3   | Pre-filtro a carbone attivo (CL-C)                   | 7   | Interruttore del sistema di protezione dalle perdite   |
| 4   | Membrana a osmosi inversa                            |     |  |

# PANORAMICA DEL SISTEMA

## Descrizione del sistema

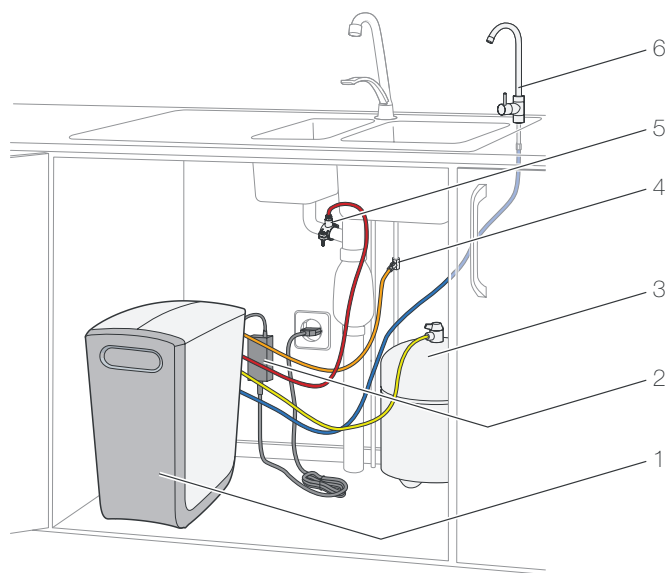



Figure 25. Panoramica del sistema

| Pos | Descrizione                   | Pos | Descrizione                         |
|-----|-------------------------------|-----|-------------------------------------|
| 1   | Depuratore d'acqua Cleone     | 4   | Collegamento dell'acqua in ingresso |
| 2   | Adattatore di alimentazione   | 5   | Collegamento dell'acqua di scarico  |
| 3   | Serbatoio dell'acqua depurata | 6   | Rubinetto dell'acqua depurata       |

## Installazione

 Per l'installazione negli USA, sono necessarie istruzioni particolari. Consultare il Manuale d'uso completo.

 Consigliamo che l'installazione di Cleone venga eseguita da un professionista raccomandato da un rivenditore Bluewater autorizzato. Le istruzioni per l'installazione sono disponibili sul sito: [www.bluewatergroup.com](http://www.bluewatergroup.com).

## Destinazione d'uso

Cleone è un depuratore d'acqua per uso domestico. Non utilizzarlo per altri scopi. Qualsiasi uso al di fuori dell'ambiente domestico e per scopi diversi dalla depurazione dell'acqua per uso domestico è considerato come uso improprio e invalida automaticamente la garanzia di Cleone.

## Sistema di filtrazione dell'acqua

Cleone purifica l'acqua in tre fasi: pre-filtrazione, filtrazione a membrana e post-filtrazione. L'acqua depurata generata da Cleone viene raccolta nel serbatoio dell'acqua depurata. Quando il serbatoio è pieno, Cleone entra in modalità stand-by. Quando il livello del serbatoio dell'acqua depurata è basso, Cleone avvia l'erogazione dell'acqua in ingresso e inizia a depurare ulteriori quantitativi d'acqua.

## Collegamenti idraulici

Sul lato dei collegamenti di Cleone sono presenti quattro connettori per l'acqua. Gli anelli di serraggio e i flessibili sono codificati a colori.

| Colore    | Collegamento                  | Descrizione   |
|-----------|-------------------------------|---|
| ARANCIONE | Acqua in ingresso             | Il collegamento dell'acqua in ingresso eroga l'acqua in ingresso a Cleone.  |
| ROSSO     | Acqua di scarico              | L'acqua di scarico da Cleone al flessibile di scarico contiene contaminanti individuati e respinti.                         |
| GIALLO    | Serbatoio dell'acqua depurata | L'acqua depurata viene raccolta nel serbatoio dell'acqua depurata prima di essere erogata al rubinetto dell'acqua depurata. |
| BLU       | Rubinetto dell'acqua depurata | L'acqua depurata generata da Cleone viene erogata al rubinetto dell'acqua depurata.   |

## Lavaggio della membrana intelligente

La membrana a osmosi inversa viene lavata regolarmente con acqua quando Cleone è in modalità stand-by. La membrana viene anche lavata prima e dopo il ciclo di depurazione. Questo assicura che il processo di depurazione inizi sempre con acqua in ingresso fresca.

## Sistema di qualità dell'acqua

Il processo di depurazione è costantemente monitorato per assicurarsi che la qualità dell'acqua sia elevata. Se la qualità dell'acqua diminuisce, la spia di funzionamento del sistema lampeggia. Se il problema persiste, Cleone si arresta. Fare riferimento alla sezione "Individuazione e risoluzione dei problemi".

## Sistema di protezione dalle perdite

Un sensore posizionato sul fondo di Cleone rileva le perdite d'acqua. In caso di perdita, l'erogazione dell'acqua in ingresso viene interrotta. Cleone non può essere riavviato fino alla completa riparazione della perdita.

## Informazioni tecniche



Per informazioni tecniche più dettagliate, consultare il sito [www.bluewatergroup.com](http://www.bluewatergroup.com).

| Parametro/Modello                           | Cleone Classic               | Cleone Balance               | Cleone Ultra                 | Cleone PurityPlus            |
|---|------------------------------|------------------------------|------------------------------|------------------------------|
| Dimensioni LxPxH [mm]                       | 215x380x416<br>(8.5x15x16.4) | 215x380x416<br>(8.5x15x16.4) | 215x380x416<br>(8.5x15x16.4) | 215x380x416<br>(8.5x15x16.4) |
| Peso [kg (lbs)]                             | 10.4 (22.9)                  | 11 (24.2)                    | 11.4 (25.1)                  | 12 (26.5)                    |
| Alimentazione                               | 95-240V 50-60Hz              | 95-240V 50-60Hz              | 95-240V 50-60Hz              | 95-240V 50-60Hz              |
| Portata d'acqua purificata [l/giorno (GPD)] | 160 (43)                     | 160 (43)                     | 160 (43)                     | 160 (43)                     |

# MANUTENZIONE

## Manutenzione giornaliera

### Pulizia di Cleone


 Non utilizzare prodotti chimici per pulire la superficie. Alcol, benzina, acidi organici e inorganici e basi forti (come il detergente per piatti concentrato) causano danni alla superficie.


 Non utilizzare utensili duri, affilati o abrasivi per pulire Cleone.

| Passo | Azione   |
|-------|--|
| 1     | Pulire la superficie esterna con un panno morbido e umido e una soluzione delicata a base di sapone per rimuovere polvere, macchie e sporco. |
| 2     | Asciugare con un panno morbido e asciutto.   |

### Manutenzione a intervalli regolari

La manutenzione a intervalli regolari è importante per il funzionamento corretto e a lungo termine dell'apparecchio.

 Raccomandiamo che gli interventi di manutenzione e riparazione siano eseguiti esclusivamente da personale addetto alla manutenzione approvato da Bluewater.

 La qualità dell'acqua in ingresso determina la frequenza della manutenzione. Se l'acqua in ingresso contiene alti livelli di solidi disciolti, eseguire la manutenzione a intervalli più frequenti.

 Per istruzioni su come eseguire la manutenzione, consultare il Manuale d'uso completo disponibile sul sito: [www.bluewatergroup.com](http://www.bluewatergroup.com).

| Frequenza                                      | Descrizione   |
|--|---|
| 6 mesi   | *Sostituire il pre-filtro sedimenti grossolani da 20 micron (CL-20).                                      |
|  | *Sostituire il pre-filtro sedimenti fini da 5 micron (CL-5).  |
|  | *Sostituire il pre-filtro a carbone attivo (CL-C).  |
|  | *Sostituire il filtro minerale integrale.   |
|  | Eeguire un controllo della pressione e della qualità dell'acqua in ingresso.                              |
| 1 anno   | *Sostituire il post-filtro a carbone attivo (CL-In linea-C).  |
|  | Sostituire la lampada UV.   |
| 3-5 anni                                       | *Sostituire la membrana a osmosi inversa.   |
| *NOTA: Ogni volta che si sostituisce un filtro | Lavare i nuovi filtri prima dell'uso. Per le procedure di lavaggio, consultare il Manuale d'uso completo. |

# INDIVIDUAZIONE E RISOLUZIONE DEI PROBLEMI

## Come risolvere problemi semplici



Per problemi non riportati nella tabella qui sotto o più gravi, consultare il Manuale d'uso completo sul sito: [www.bluewatergroup.com](http://www.bluewatergroup.com).

| Sintomo  | Causa  | Soluzione   |
|--|--|---|
| Dal rubinetto dell'acqua depurata non fuoriesce acqua. La spia dell'indicatore di funzionamento del sistema è spenta.  | Cleone non è collegato all'alimentazione.  | Collegare Cleone a una presa elettrica e all'adattatore di alimentazione. Assicurarsi che il cavo 24 V CC dell'alimentatore sia collegato alla presa di alimentazione presente su Cleone. |
|  | Cleone non si avvia.   | Spostare l'interruttore sulla posizione di accensione (posizione "1").  |
|  | È stata rilevata una perdita interna. Cleone si è arrestato automaticamente.   | Contattare il rivenditore Bluewater di zona per riparare la perdita e ripristinare il sistema.  |
| Dal rubinetto dell'acqua depurata non fuoriesce acqua. La spia dell'indicatore di funzionamento del sistema è accesa.  | Cleone è stato installato per la prima volta e il sistema non si è ancora riempito d'acqua.  | Attendere che il sistema si riempia d'acqua.  |
|  | I flessibili dell'acqua non sono collegati o il collegamento non è stato effettuato correttamente.   | Assicurarsi che i collegamenti siano eseguiti correttamente.  |
|  | Non è stata effettuata la manutenzione regolare. I pre-filtri sono ostruiti.   | Contattare il rivenditore Bluewater di zona per eseguire la manutenzione su Cleone.   |
| Dal rubinetto dell'acqua depurata non fuoriesce acqua. La spia dell'indicatore di funzionamento del sistema lampeggia molto rapidamente. (accesa per 0,1 sec., spenta per 0,1 sec.). | La pressione dell'acqua in ingresso è troppo bassa e il sistema di protezione della pompa ha interrotto l'erogazione dell'acqua in ingresso. | Cleone riprenderà a funzionare regolarmente quando la pressione dell'acqua in ingresso tornerà ad essere normale. Lavare Cleone come descritto nel Manuale d'uso completo.                |
| Dal rubinetto dell'acqua depurata non fuoriesce acqua. La spia dell'indicatore di funzionamento del sistema lampeggia rapidamente (accesa per 0,5 sec., spenta per 0,5 sec.).        | Cleone si è arrestato perché la qualità dell'acqua è bassa.  | Contattare il rivenditore Bluewater di zona per richiedere assistenza.  |
| Dal rubinetto dell'acqua depurata fuoriesce acqua. La spia dell'indicatore di funzionamento del sistema lampeggia rapidamente (accesa per 0,5 sec., spenta per 0,5 sec.).            | La qualità dell'acqua è deteriorata.   | L'uso dell'acqua depurata non presenta problemi di sicurezza. Per maggiori informazioni, contattare il rivenditore Bluewater di zona.   |



| Sintomo   | Causa  | Soluzione  |
|---|--|--|
| La spia dell'indicatore di funzionamento del sistema lampeggia lentamente (accesa per 2 sec., spenta per 2 sec.). | Sostituire i filtri.   | Per informazioni su quando sostituire i filtri, fare riferimento alla sezione "Manutenzione regolare". Sostituire i filtri e resettare la spia del filtro come descritto nel Manuale d'uso completo. |
| La portata del rubinetto dell'acqua depurata è bassa.   | Il serbatoio dell'acqua depurata è vuoto a causa dell'elevato consumo d'acqua. | Utilizzare un serbatoio più grande o una membrana ad alta capacità.  |
|   | La pressione dell'aria nel serbatoio dell'acqua depurata è bassa.              | Contattare il rivenditore Bluewater di zona per ripristinare la pressione corretta nel serbatoio dell'acqua depurata.  |
| Rumore costante eccessivo durante la depurazione dell'acqua.  | È necessario eseguire la manutenzione sulla pompa booster.                     | Contattare il rivenditore Bluewater di zona.   |

# INHALT

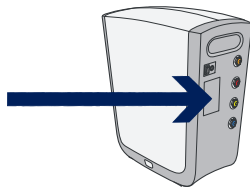
|                             |           |
|-----------------------------|-----------|
| <b>SICHERHEIT</b>           | <b>57</b> |
| Sicherheitshinweise         | 57        |
| Sicherheitsinformationen    | 57        |
| <b>PRODUKTÜBERSICHT</b>     | <b>59</b> |
| Cleone Außenansicht         | 59        |
| Cleone Innenansicht         | 60        |
| <b>SYSTEMÜBERSICHT</b>      | <b>61</b> |
| Systembeschreibung          | 61        |
| Montage                     | 61        |
| Verwendungszweck            | 62        |
| Wasserfilterungssystem      | 62        |
| Intelligente Membranspülung | 62        |
| Wasserqualitätssystem       | 62        |
| Leckschutzsystem            | 62        |
| Technische Daten            | 63        |
| <b>WARTUNG</b>              | <b>64</b> |
| Tägliche Wartung            | 64        |
| Regelmäßige Wartung         | 64        |
| <b>FEHLERBEHEBUNG</b>       | <b>65</b> |
| Lösen einfacher Probleme    | 65        |

## Kundenservice

Abschnitt „Fehlerbehebung“ enthält Angaben dazu, wie Sie kleinere Probleme beheben können, bevor Sie den Kundendienst anrufen.

Sollten Sie dennoch den Kundendienst benötigen, sorgen Sie dafür, dass Sie folgende Angaben (siehe Typenschild an der Rückseite des Wasseraufbereiters) zur Hand haben, wenn Sie Ihren Bluewater-Händler anrufen:

- Modell
- Produktnummer
- Seriennummer



## Umweltinformationen



Der Wasseraufbereiter reinigt Wasser effizienter über einen längeren Zeitraum. Beispiel: Das Einfüllen mehrerer Liter ist pro Liter effizienter als nur jeweils ein Liter.



80 % der Bestandteile des Wasseraufbereiters und der Verpackung sind etikettiert mit Informationen dazu, wie Sie sie korrekt wiederverwerten bzw. umweltgerecht entsorgen



Geräte, die dieses Symbol tragen, müssen an der dafür vorgesehenen örtlichen Annahmestelle für die Entsorgung von Elektro- und Elektronikaltgeräten abgegeben werden.



Dieses Produkt darf nicht über den normalen Hausmüll entsorgt werden.




# SICHERHEIT

## Sicherheitshinweise

Lesen Sie die Sicherheitshinweise bitte sorgfältig durch, bevor Sie das Gerät installieren oder in Betrieb nehmen. Befolgen Sie die Anweisungen in dieser Bedienungsanleitung, um Körperverletzungen oder Sachschäden am Gerät zu vermeiden. Dieses Handbuch enthält VORSICHTSMASREGELN und HINWEISE für den sicheren Betrieb des Geräts.

---


 Ein VORSICHT-Symbol weist auf Situationen hin, die Sachschäden am Gerät herbeiführen können. VERWENDEN Sie den Cleone NICHT, sofern Sie nicht alle nachstehenden Vorsichtsmaßnahmen verstanden und erfüllt haben.

 Wichtige Informationen für den störungsfreien und optimalen Einsatz des Cleone werden durch ein HINWEIS-Symbol gekennzeichnet.


---

## Sicherheitsinformationen

DE ●

 Trennen Sie die außenliegenden Wasserschläuche nicht ab und nehmen Sie keine Arbeiten an ihnen vor. Wenn Sie die Wasserschläuche abtrennen müssen, sprechen Sie vorher mit Ihrem Bluewater-Händler. Halten Sie sich im Notfall an die Anweisungen in der Komplettanleitung.

Dieses Gerät ist für Personen ab 8 Jahren zugelassen. Es kann auch von Personen mit eingeschränkten körperlichen, sensorischen oder geistigen Fähigkeiten bzw. mit mangelnden Erfahrungen und Kenntnissen benutzt werden, sofern diese angemessen beaufsichtigt werden oder entsprechende Anleitungen zur sicheren Verwendung des Geräts erhalten haben und sich der damit verbundenen Gefahren bewusst sind.

 Reparieren oder wechseln Sie niemals die innenliegenden Bauteile des Cleone. Dadurch können die ordnungsgemäße Funktion des Cleone beeinträchtigt oder der Benutzer bei der Verwendung gefährdet werden.

---

---

Schließen Sie den Cleone ausschließlich über das Original-Netzteil von Bluewater an eine Stromquelle an. Die Verwendung eines anderen Netzteils kann den Benutzer bei der Verwendung gefährden und innenliegende Bauteile des Cleone beschädigen. Verwenden Sie das Kabel nicht, wenn es sichtbare Schäden aufweist. Ersetzen Sie das Netzkabel, wenn es beschädigt ist, um Gefahren vorzubeugen.



---

Montage-, Wartungs- und Reparaturmaßnahmen am Wasseraufbereiter dürfen nur von zugelassenen Technikern, Vertriebshändlern oder Bluewater-Service Mitarbeitern vorgenommen werden. Die Folge können Betriebsfehler, Körperverletzungen und Sachschäden sein, die keiner Garantie unterliegen. Verwenden Sie nur Original-Ersatzpatronen und Originalteile von Bluewater.



---

Tauchen Sie den Cleone niemals in Wasser. Reinigen Sie die Oberfläche mit einem feuchten Tuch und einer milden Seifenlösung. Reinigen Sie die Oberfläche des Cleone nicht mit Chemikalien. Alkohol, Benzin, organische und anorganische Säuren, starke basische Chemikalien (wie konzentrierter Geschirreiniger) beschädigen die Oberfläche des Cleone.



---

 Legen Sie keine Gegenstände auf dem Cleone ab.



---

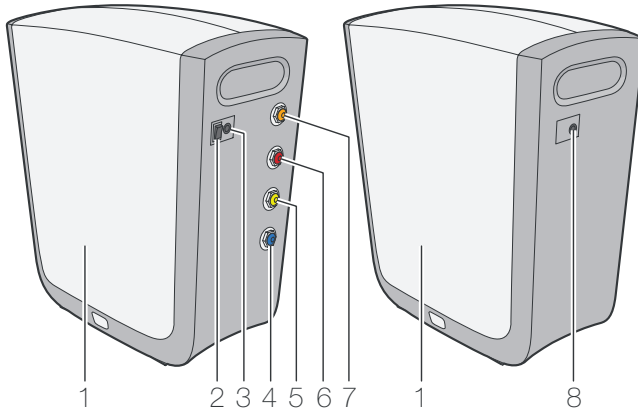
Verwenden Sie den Cleone nicht mit Zulaufwasser, das mikrobiologisch gefährlich bzw. dessen mikrobiologische Qualität nicht bekannt ist.

---

# PRODUKTÜBERSICHT

| Modelleigenschaften        | Cleone Classic | Cleone Balance | Cleone Ultra | Cleone PurityPlus |
|----------------------------|----------------|----------------|--------------|-------------------|
| UV-Lampe                   |                |                | ✓            | ✓                 |
| Integrierter Mineralfilter |                | ✓              |              | ✓                 |

## Cleone Außenansicht



DE ●

Figure 26. Cleone Außenansicht

| Pos | Beschreibung                    | Pos | Beschreibung                        |
|-----|---------------------------------|-----|-------------------------------------|
| 1   | Seitenabdeckung                 | 5   | Anschluss für Reinwassertank – GELB |
| 2   | Netzschalter                    | 6   | Abwasseranschluss – ROT             |
| 3   | Stromanschluss                  | 7   | Zulaufwasseranschluss – ORANGE      |
| 4   | Anschluss Reinwasserhahn – BLAU | 8   | Systembetriebsanzeige               |

## Netzschalter

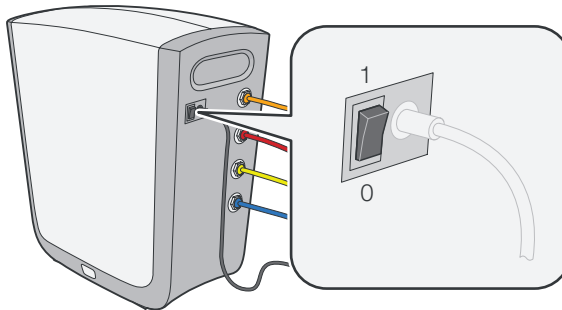


Figure 27. Netzschalter

| Position | Beschreibung   |
|----------|--|
| 1        | Der Cleone wurde in Betrieb genommen. Das Wasser kann aufbereitet werden.  |
| 0        | Der Betrieb des Cleone wurde unterbrochen. Es wird kein Wasser aufbereitet. Das aufbereitete Wasser aus dem Behälter kann verwendet werden, bis dieser leer ist. |

## Systembetriebsanzeige

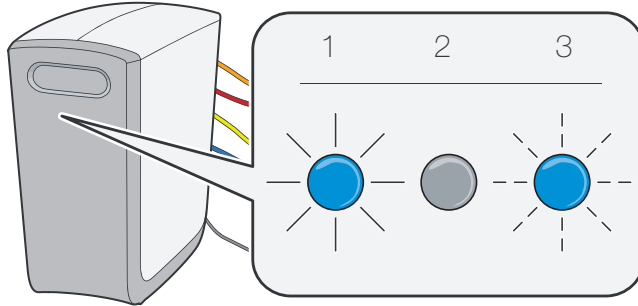





Figure 28. Systembetriebsanzeige

| Pos  | Beschreibung   |
|--|--|
| 1. Das Licht ist AN   | Der Cleone funktioniert ordnungsgemäß. Der Netzschalter ist eingeschaltet (Position „1“)   |
| 2. Das Licht ist AUS  | Der Cleone ist abgeschaltet. Der Netzschalter ist ausgeschaltet (Position „0“).  |
| 3. Das Licht blinkt   | Wenn der Netzschalter eingeschaltet ist (Position „1“), die Betriebsanzeige aber ausgeschaltet ist, siehe Abschnitt „Fehlerbehebung“ oder sprechen Sie Ihren Bluewater-Fachhändler an. |
|  | Beim Cleone ist ein Problem aufgetreten. Siehe Abschnitt „Fehlerbehebung“ oder sprechen Sie Ihren Bluewater-Fachhändler an.  |

## Cleone Innenansicht

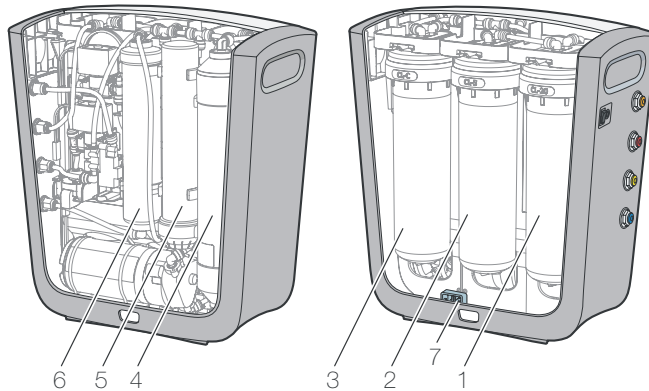
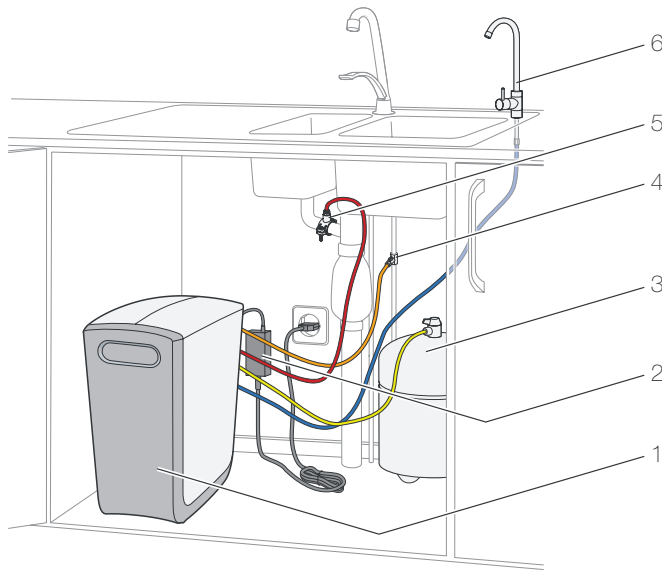


Figure 29. Cleone Innenansicht

| Pos | Beschreibung                         | Pos | Beschreibung   |
|-----|--------------------------------------|-----|--|
| 1   | 20 µm-Grobsediment-Vorfilter (CL-20) | 5   | Aktivkohle-Nachfilter (CL-Inline-C) (Classic, Balance, Ultra) (PurityPlus)   |
| 2   | 5 µm-Feinsediment-Vorfilter (CL-5)   | 6   | UV-Lampe Integrierter Mineralfilter (Ultra) (Balance, PurityPlus) Die Position wurde für das Modell Classic freigelassen |
| 3   | Aktivkohle-Vorfilter (CL-C)          | 7   | Schalter Leckschutzsystem  |
| 4   | Umkehrosmosemembran                  |     |  |

# SYSTEMÜBERSICHT

## Systembeschreibung



DE ●

Figure 30. Systemübersicht

| Pos | Beschreibung             | Pos | Beschreibung          |
|-----|--------------------------|-----|-----------------------|
| 1   | Wasseraufbereiter Cleone | 4   | Zulaufwasseranschluss |
| 2   | Netzteil                 | 5   | Abwasseranschluss     |
| 3   | Reinwassertank           | 6   | Reinwasserhahn        |

## Montage

 Für die USA gelten besondere Montageanweisungen. Siehe „Komplettanleitung“. Siehe Komplettanleitung

 Wir empfehlen, den Cleone von einem Fachmann montieren zu lassen, der von einem autorisierten Bluewater-Fachhändler empfohlen wurde. Hinweise zur Montage finden Sie auf [www.bluewatergroup.com](http://www.bluewatergroup.com).

## Verwendungszweck

Der Cleone ist ein Wasseraufbereiter für den häuslichen Gebrauch. Verwenden Sie ihn nur zum vorgesehenen Zweck. Jegliche Verwendung, die von einer Nutzung innerhalb des Wohnbereichs und der Aufbereitung von Wasser für den Hausgebrauch abweicht, gilt als unsachgemäße Verwendung und hat automatisch das Erlöschen der Garantie für Ihren Cleone zur Folge.

## Wasserfilterungssystem

Der Cleone bereitet das Wasser in drei Schritten auf: Vorfiltration, Membranfiltration und Nachfiltration. Das im Cleone aufbereitete Wasser wird im Reinwassertank gesammelt. Ist der Tank voll, schaltet sich der Cleone in den Standby-Modus. Ist der Wasserstand im Reinwassertank niedrig, öffnet der Cleone die Zulaufwasserzufuhr und beginnt mit der Aufbereitung von mehr Wasser.

## Wasseranschlüsse

An der Anschlussseite des Cleone befinden sich vier Wasseranschlüsse. Stellringe und Schläuche sind farblich markiert.

| Farbe  | Anschluss      | Beschreibung  |
|--------|----------------|---|
| ORANGE | Zulaufwasser   | Über den Zulaufwasseranschluss wird dem Cleone Zulaufwasser zugeführt.  |
| ROT    | Abwasser       | Das Abwasser, das vom Cleone in die Ablaufleitung fließt, enthält ausgespülte und ausgesonderte Verunreinigungen. |
| GELB   | Reinwassertank | Das aufbereitete Wasser wird im Reinwassertank gesammelt, bevor es über den Reinwasserhahn entnommen werden kann. |
| BLAU   | Reinwasserhahn | Das im Cleone aufbereitete Wasser wird über den Reinwasserhahn zur Verfügung gestellt.                            |

## Intelligente Membranspülung

Die Umkehrosmosemembran wird im Standby-Modus des Cleone regelmäßig mit Wasser durchspült. Die Membran wird auch vor und nach dem Reinigungszyklus gespült. Auf diese Weise wird sichergestellt, dass die Wasseraufbereitung stets mit frischem Speisewasser begonnen wird.

## Wasserqualitätssystem

Die Wasseraufbereitung wird durchgehend überwacht, um eine konstant hohe Wasserqualität sicherzustellen. Wenn sich die Wasserqualität verschlechtert, blinkt die Systembetriebsanzeige. Wenn das Problem weiter besteht, wird der Betrieb des Cleone unterbrochen. Siehe Abschnitt „Fehlerbehebung“.

## Leckschutzsystem

Ein Sensor an der Unterseite des Cleone spürt Wasserlecks auf. Bei einem Leck wird die Zulaufwasserzufuhr unterbrochen. In diesem Fall kann der Cleone erst dann wieder in Betrieb genommen werden, wenn das Leck repariert ist.

## Technische Daten



Nähere technische Angaben siehe [www.bluewatergroup.com](http://www.bluewatergroup.com).

| Parameter/Model                                   | Cleone Classic               | Cleone Balance               | Cleone Ultra                 | Cleone PurityPlus            |
|---|------------------------------|------------------------------|------------------------------|------------------------------|
| Größe: BxTxH [mm]                                 | 215x380x416<br>(8.5x15x16.4) | 215x380x416<br>(8.5x15x16.4) | 215x380x416<br>(8.5x15x16.4) | 215x380x416<br>(8.5x15x16.4) |
| Gewicht [kg]                                      | 10.4                         | 11                           | 11.4                         | 12                           |
| Netzteil  | 95-240V 50-60Hz              | 95-240V 50-60Hz              | 95-240V 50-60Hz              | 95-240V 50-60Hz              |
| Durchflussrate aufbereitetes Wasser [l/Tag (GPD)] | 160 (43)                     | 160 (43)                     | 160 (43)                     | 160 (43)                     |


DE



# WARTUNG

## Tägliche Wartung


### Reinigung des Cleone


 Reinigen Sie die Oberfläche nicht mit Chemikalien. Alkohol, Benzin, organische und anorganische Säuren, starke basische Chemikalien (wie konzentrierter Geschirreiniger) beschädigen die Oberfläche.

 Verwenden Sie zur Reinigung des Cleone keine harten, scharfkantigen oder scheuernden Werkzeuge.

| Schritt | Maßnahme   |
|---------|--|
| 1       | Reinigen Sie die Außenseite mit einem weichen, feuchten Tuch und einer milden Seifenlauge, um Staub, Flecken und Schmutz zu entfernen. |
| 2       | Trocknen Sie sie mit einem weichen, trockenen Tuch ab.   |

## Regelmäßige Wartung

 Für die korrekte Funktion und den langfristigen Betrieb ist eine regelmäßige Wartung unerlässlich. Wir empfehlen, den Wasseraufbereiter nur von zugelassenen Bluewater-Servicemitarbeitern warten und reparieren zu lassen.

 Die Wartungshäufigkeit hängt von der Zulaufwasserqualität ab. Führen Sie die regelmäßigen Wartungen in kürzeren Abständen durch, wenn das Zulaufwasser einen hohen Gehalt gelöster Feststoffe aufweist.

 Wartungsanleitungen sind in der Komplettanleitung unter [www.bluewatergroup.com](http://www.bluewatergroup.com) enthalten.

| Häufigkeit                        | Beschreibung   |
|-----------------------------------|--|
| 6 Monate                          | *Wechsel des 20 µm-Grobsediment-Vorfilters (CL-20).  |
|                                   | *Wechsel des 5 µm-Feinsediment-Vorfilters (CL-5).  |
|                                   | *Wechsel des Aktivkohle-Vorfilters (CL-C).   |
|                                   | *Wechsel des integrierten Mineralfilters.  |
|                                   | Überprüfen von Zulaufwasserdruck und -qualität.  |
| 1 Jahr                            | *Wechsel des Aktivkohle-Nachfilters (CL-Inline-C).   |
|                                   | Wechsel der UV-Lampe.  |
| 3-5 Jahre                         | *Wechsel der Umkehrosmosemembran.  |
| *HINWEIS: Bei jedem Filterwechsel | Neue Filter sollten vor dem Gebrauch gespült werden. Der Spülvorgang ist in der Komplettanleitung beschrieben. |



# FEHLERBEHEBUNG

## Lösen einfacher Probleme



Symptome, die nicht in der nachstehenden Tabelle aufgeführt sind, oder schwerwiegendere Probleme werden in der Komplettanleitung unter [www.bluewatergroup.com](http://www.bluewatergroup.com) beschrieben.

| Symptom   | Ursache  | Abhilfe  |
|---|--|--|
| Aus dem Reinwasserhahn fließt kein Wasser. Die Systembetriebsanzeige leuchtet nicht mehr.   | Der Cleone hat keinen Strom.   | Stecken Sie den Cleone über das Netzteil in eine Steckdose. Vergewissern Sie sich, dass das 24-V-Kabel des Netzteils richtig am Netzteilanschluss des Cleone angesteckt ist.   |
|   | Der Cleone ist nicht eingeschaltet.  | Schalten Sie den Netzschalter ein (Position „1“).  |
|   | Im Inneren wurde ein Leck festgestellt. Der Betrieb des Cleone wurde automatisch unterbrochen.           | Lassen Sie das Leck von Ihrem Bluewater-Fachhändler reparieren und das System zurücksetzen.  |
| Aus dem Reinwasserhahn fließt kein Wasser. Die Systembetriebsanzeige leuchtet.  | Der Cleone wurde neu installiert, und das System ist noch nicht mit Wasser vollgelaufen.                 | Warten Sie, bis sich das System mit Wasser gefüllt hat.  |
|   | Die Wasserschläuche sind nicht oder falsch angeschlossen.  | Prüfen Sie, ob die Anschlüsse richtig vorgenommen wurden.  |
|   | Die regelmäßigen Wartungsmaßnahmen wurden nicht durchgeführt. Die Vorfilter sind verstopft.              | Lassen Sie die Wartung des Cleone von Ihrem Bluewater-Fachhändler vornehmen.   |
| Aus dem Reinwasserhahn fließt kein Wasser. Die Systembetriebsanzeige blinkt mit hoher Geschwindigkeit (in Intervallen von 0,1 s).     | Der Zulaufwasserdruck ist zu niedrig und das Pumpenschutzsystem hat die Zulaufwasserzufuhr unterbrochen. | Der Cleone läuft wieder normal, wenn sich der Zulaufwasserdruck wieder normalisiert hat. Spülen Sie den Cleone, wie in der Komplettanleitung beschrieben.  |
| Aus dem Reinwasserhahn fließt kein Wasser. Die Systembetriebsanzeige blinkt mit mittlerer Geschwindigkeit (in Intervallen von 0,5 s). | Der Betrieb des Cleone wurde unterbrochen, da die Wasserqualität zu gering ist.                          | Bitte kontaktieren Sie zu Wartungszwecken Ihren Bluewater-Fachhändler.   |
| Aus dem Reinwasserhahn fließt Wasser. Die Systembetriebsanzeige blinkt mit mittlerer Geschwindigkeit (in Intervallen von 0,5 s).      | Die Wasserqualität hat abgenommen.   | Das aufbereitete Wasser kann bedenkenlos verwendet werden. Bitte kontaktieren Sie Ihren Bluewater-Fachhändler, wenn Sie Zusatzinformationen wünschen.  |
| Die Systembetriebsanzeige blinkt mit niedriger Geschwindigkeit (in Intervallen von 2 s).  | Die Filter müssen gewechselt werden.   | Der Abschnitt „Regelmäßige Wartung“ enthält Informationen darüber, wann die Filter gewechselt werden müssen. Tauschen Sie die Filter aus und setzen Sie die Filteranzeige gemäß den Anweisungen in der Komplettanleitung zurück. |

DE ●

| Symptom  | Ursache  | Abhilfe   |
|--|--|---|
| Die Durchflussmenge des Reinwasserhahns ist zu niedrig.            | Der Reinwassertank ist aufgrund des hohen Wasserverbrauchs leer. | Wählen Sie einen größeren Tank oder eine leistungsstärkere Membran.                                     |
|  | Der Luftdruck im Reinwassertank ist zu niedrig.                  | Lassen Sie den korrekten Luftdruck im Reinwassertank von Ihrem Bluewater-Fachhändler wieder herstellen. |
| Während der Wasseraufbereitung treten zu viele Dauergeräusche auf. | Die Zwischenpumpe muss gewartet werden.                          | Wenden Sie sich an Ihren Bluewater-Fachhändler.   |

# SPIS TREŚCI

|                                     |           |
|-------------------------------------|-----------|
| <b>BEZPIECZEŃSTWO</b>               | <b>68</b> |
| Instrukcje dotyczące bezpieczeństwa | 68        |
| Informacje dotyczące bezpieczeństwa | 68        |
| <b>BUDOWA URZĄDZENIA</b>            | <b>70</b> |
| Cleone - widok zewnętrzny           | 70        |
| Cleone - widok wewnętrzny           | 71        |
| <b>WIDOK OGÓLNY SYSTEMU</b>         | <b>72</b> |
| Opis systemu                        | 72        |
| Instalacja                          | 72        |
| Zamierzone użycie                   | 73        |
| System filtracji wody               | 73        |
| Inteligentne płukanie membrany      | 73        |
| System jakości wody                 | 73        |
| System przeciwpieczekowy            | 73        |
| Dane techniczne                     | 73        |
| <b>KONSERWACJA</b>                  | <b>74</b> |
| Konserwacja codzienna               | 74        |
| Konserwacja okresowa                | 74        |
| <b>ROZWIĄZYWANIE PROBLEMÓW</b>      | <b>75</b> |
| Rozwiązywanie prostych problemów    | 75        |

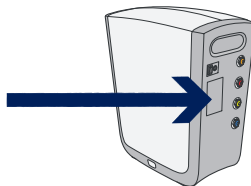
PL

## Obsługa klienta

Przed skontaktowaniem się z pomocą techniczną, należy przeczytać część „Rozwiązywanie problemów”.

Jeśli kontakt z Pomocą techniczną wciąż będzie niezbędny, do rozmowy telefonicznej z dystrybutorem Bluewater należy przygotować następujące dane (znajdujące się z tyłu urządzenia):

- Model
- Numer produktu
- Numer seryjny



## Informacje ekologiczne



Filtr jest bardziej wydajny, gdy filtruje większe partie wody.

Oznacza to, że uzyskanie kilku litrów oczyszczonej wody za jednym razem jest bardziej efektywne niż uzyskanie tylko jednego litra.



80% elementów urządzenia i opakowania posiada oznakowania, umożliwiające prawidłowy recykling i utylizację.



Urządzenia oznaczone tym symbolem należy oddawać do wyznaczonego punktu utylizacji sprzętu elektrycznego i elektronicznego.





Urządzenia nie wolno wyrzucać ze zwykłymi odpadami domowymi.




# BEZPIECZEŃSTWO

## Instrukcje dotyczące bezpieczeństwa

Przed montażem i użytkowaniem urządzenia należy zapoznać się z informacjami dotyczącymi bezpieczeństwa. Aby zapobiegać urazom ciała lub uszkodzeniu urządzenia należy przestrzegać zaleceń zawartych w niniejszej instrukcji. Niniejsza instrukcja zawiera OSTRZEŻENIA i UWAGI, zapewniające bezpieczeństwo użytkownika.


- 
-  Symbol OSTRZEŻENIA określa warunki, które mogą spowodować uszkodzenie urządzenia. **NIE UŻYWAJ** urządzenia Cleone, jeśli którekolwiek ostrzeżenie jest niezrozumiałe lub jeśli wymogu nie można spełnić.
  -  Symbol UWAGA podaje ważne informacje niezbędne dla bezproblemowego i optymalnego wykorzystania filtra Cleone.
- 

## Informacje dotyczące bezpieczeństwa


- 
-  Nie odłączaj zewnętrznych przewodów doprowadzających wodę ani samodzielnie ich nie naprawiaj. Skontaktuj się z dystrybutorem Bluewater, jeśli te przewody trzeba odłączyć. W sytuacji awaryjnej postępuj zgodnie z instrukcjami zawartymi w Kompletnym podręczniku użytkownika.
  -  Urządzenie może być obsługiwane przez dzieci powyżej 8 roku życia. Może być również obsługiwane przez osoby o ograniczonej sprawności fizycznej, sensorycznej i umysłowej oraz osoby nieposiadające doświadczenia bądź wiedzy - po zapewnieniu im odpowiedniego nadzoru lub instruktażu w zakresie bezpiecznego użytkowania urządzenia i pod warunkiem, że rozumieją one związane z tym zagrożenia.
  -  Nie wolno naprawiać ani modyfikować wewnętrznych części urządzenia Cleone. To może spowodować nieprawidłowe działanie urządzenia lub uczynić je niebezpiecznym w użyciu.
-

---

Należy używać wyłącznie oryginalnego zasilacza Bluewater Cleone jako źródła zasilania prądem. Używanie innych zasilaczy może negatywnie wpłynąć na bezpieczeństwo użytkownika urządzenia Cleone. Może to również



-  spowodować uszkodzenie wewnętrznych części urządzenia. Nie wolno stosować przewodu zasilania, jeśli posiada on widoczne ślady uszkodzenia. Jeśli przewód zasilania jest uszkodzony, należy go wymienić, aby zapewnić bezpieczeństwo.
- 

Zalecamy, aby montażu, serwisu i napraw urządzenia wykonywali tylko autoryzowani technicy, dystrybutorzy albo personel serwisu Bluewater. Jeśli czynności te nie zostaną

-  dobrze wykonane, urządzenie może działać nieprawidłowo, stwarzając zagrożenie urazem ciała i powstaniem uszkodzeń urządzenia nieobjętych gwarancją. Należy używać wyłącznie oryginalnych wkładów i części zamiennych firmy Bluewater.
- 

PL ●

Urządzenia Cleone nie wolno zanurzać w wodzie. Zewnętrzne powierzchnie urządzenia należy czyścić wilgotną ściereczką ze słabym roztworem detergentu. Do czyszczenia nie używać środków chemicznych. Alkohol, benzyna, kwasy organiczne i nieorganiczne, silne chemikalia (np. skoncentrowany płyn do mycia naczyń) spowodują uszkodzenie powierzchni urządzenia Cleone.

-  Nie kłaść ani nie trzymać przedmiotów na urządzeniu Cleone.
  -  Nie używać urządzenia Cleone do uzdatniania wody zanieczyszczonej mikrobiologicznie lub której jakość mikrobiologiczna nie jest znana.
-

# BUDOWA URZĄDZENIA

| Funkcje modelu               | Cleone Classic | Cleone Balance | Cleone Ultra | Cleone PurityPlus |
|------------------------------|----------------|----------------|--------------|-------------------|
| Lampa ultravioletowa         |                |                | ✓            | ✓                 |
| Zintegrowany filtr mineralny |                | ✓              |              | ✓                 |

## Cleone - widok zewnętrzny

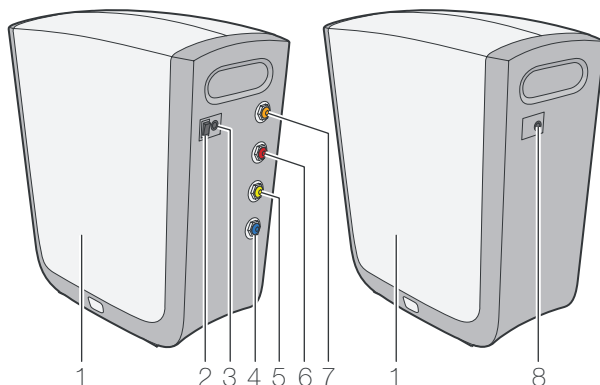


Figure 31. Cleone - widok zewnętrzny

| Poz | Opis   | Poz | Opis   |
|-----|--|-----|--|
| 1   | Pokrywa boczna                               | 5   | Przyłącze zbiornika wody uzdatnionej - ŻÓŁTY |
| 2   | Włącznik zasilania                           | 6   | Przyłącze wody odpadowej - CZERWONY          |
| 3   | Gniazdo zasilania prądem                     | 7   | Przyłącze wody zasilającej - POMARAŃCZOWY    |
| 4   | Przyłącze kranu wody uzdatnionej - NIEBIESKI | 8   | Kontrolka działania systemu                  |

## Power switch

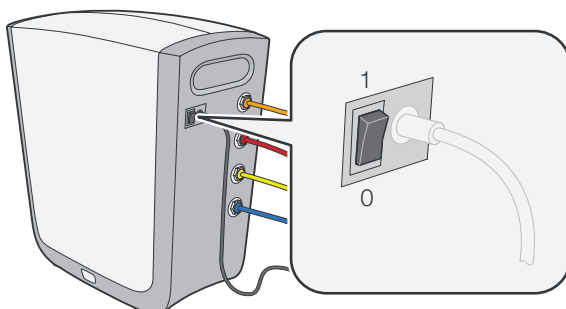


Figure 32. Power switch

| Pozycja | Opis  |
|---------|---|
| 1       | Urządzenie Cleone jest włączone. Można uzdatniać wodę.  |
| 0       | Urządzenie Cleone jest wyłączone. Woda nie jest uzdatniana. Uzdatniona woda będzie dostępna ze zbiornika, aż do jego opróżnienia. |

## Kontrolka działania systemu

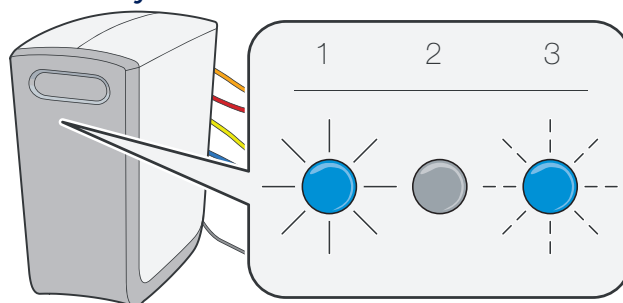


Figure 33. Kontrolka działania systemu

| Poz               | Opis   |
|-------------------|--|
| 1. Kontrolka WŁ.  | ● Urządzenie Cleone działa poprawnie. Przetącnik zasilania jest włączony (pozycja „1”).  |
| 2. Kontrolka WYŁ. | ● Urządzenie Cleone jest wyłączone. Przetącnik zasilania jest wyłączony (pozycja „0”).   |
| 3. Kontrolka miga | ⚡ Jeśli przetącnik zasilania jest włączony (pozycja „1”), a kontrolka wyłączona, zapoznaj się z rozdziałem „Rozwiązywanie problemów” lub skontaktuj się z dystrybutorem Bluewater. |
|                   | ⚡ Wystąpił problem. Zobacz „Rozwiązywanie problemów” lub skontaktuj się z dystrybutorem Bluewater.   |

PL

## Cleone - widok wewnętrzny

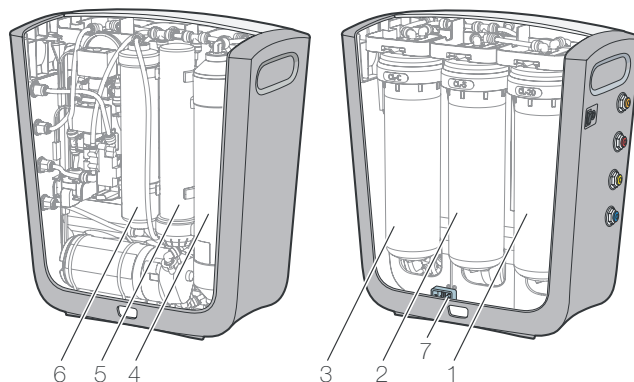


Figure 34. Cleone - widok wewnętrzny

| Poz | Opis  | Poz | Opis  |
|-----|---|-----|---|
| 1   | Gruboziarnisty filtr wstępny, 20 mikronów (CL-20) | 5   | Filtr końcowy z węglem aktywnym (CL-Inline-C)<br>Lampa ultrafioletowa (PurityPlus)  |
| 2   | Drobnoziarnisty filtr wstępny, 5 mikronów (CL-5)  | 6   | Lampa ultrafioletowa (Ultra)<br>Zintegrowany filtr mineralny (Balance, PurityPlus)<br>To miejsce jest puste w modelu Classic. |
| 3   | Filtr wstępny z węglem aktywnym (CL-C)            | 7   | Przetącnik systemu przeciwpieczowego  |
| 4   | Membrana odwróconej osmozy                        |     |   |

# WIDOK OGÓLNY SYSTEMU

## Opis systemu

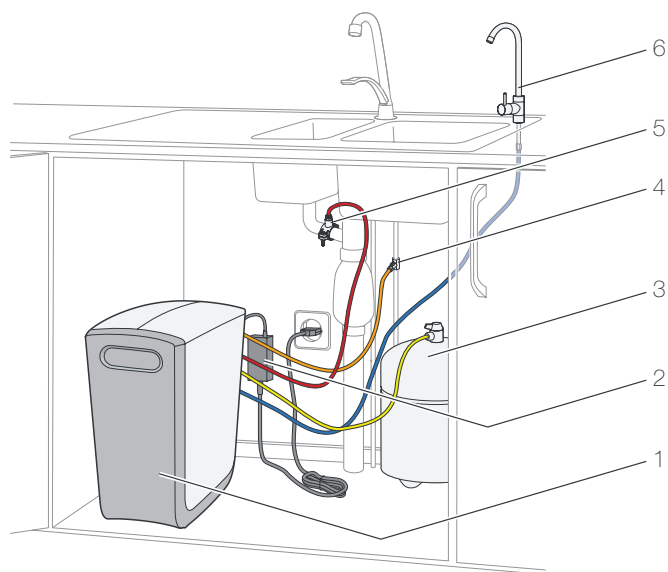


Figure 35. Widok ogólny systemu

| Poz | Opis                                  | Poz | Opis                       |
|-----|---------------------------------------|-----|----------------------------|
| 1   | Urządzenie do uzdatniania wody Cleone | 4   | Przytącze wody zasilającej |
| 2   | Zasilacz                              | 5   | Przytącze wody odpadowej   |
| 3   | Zbiornik na wodę uzdatnioną           | 6   | Kran wody uzdatnionej      |

## Instalacja

 Na terenie USA do instalacji wymagane są odrębne instrukcje. Zobacz Kompletny podręcznik użytkownika.

 Zalecamy, aby instalację urządzenia Cleone dokonywał profesjonalny technik, zarekomendowany przez autoryzowanego dystrybutora Bluewater. Instrukcje instalacji można znaleźć na [www.bluewatergroup.com](http://www.bluewatergroup.com).



## Zamierzone użycie

Cleone to urządzenie do uzdatniania wody przeznaczone do użytku w gospodarstwie domowym. Nie wolno stosować go do żadnych innych celów. Każde użycie poza gospodarstwem domowym lub do celów innych niż oczyszczanie wody do użytku domowego jest uważane za niezamierzone użycie i automatycznie unieważnia gwarancję.

## System filtracji wody

Oczyszczanie wody przebiega w trzech etapach: filtracja wstępna, filtracja osmotyczna i filtracja końcowa. Po uzdatnieniu woda jest gromadzona w zbiorniku wody uzdatnionej. Gdy zbiornik jest pełny, Cleone przechodzi w tryb gotowości. Gdy poziom wody w zbiorniku jest niski, Cleone otwiera dopływ wody i rozpoczyna uzdatnianie.

## Przyłącza

Urządzenie Cleone ma cztery przyłącza znajdujące się po jednej stronie. Pierścienie zaciskowe i rurki są oznaczone kolorami.

| Kolor        | Connection                  | Opis   |
|--------------|-----------------------------|--|
| POMARAŃCZOWY | Wlot wody zasilającej       | Przyłącze wody zasilającej dostarcza wodę do urządzenia Cleone.                                  |
| CZERWONY     | Woda odpadowa               | Woda odpadowa zawiera zanieczyszczenia odfiltrowane przez urządzenie Cleone.                     |
| ŻÓŁTY        | Zbiornik na wodę uzdatnioną | Uzdatniona woda jest gromadzona w zbiorniku, zanim zostanie pobrana przez kran wody uzdatnionej. |
| NIEBIESKI    | Kran wody uzdatnionej       | Oczyszczona woda z Cleone jest dostarczana do kranu wody uzdatnionej.                            |

PL

## Inteligentne płukanie membrany

Membrana odwróconej osmozy jest regularnie płukana wodą, gdy Cleone jest w trybie gotowości. Membrana jest również przepłukiwana przed cyklem uzdatniania wody i po jego zakończeniu. Zapewnia to, że każdy proces uzdatniania rozpoczyna się od pobrania czystej wody.

## System jakości wody

Proces uzdatniania jest stale monitorowany, pod kątem jakości wody. Jeśli jakość wody pogorszy się, zaczną migać kontrolka działania systemu. Jeśli problem nie ustąpi, Cleone zatrzyma pracę. Zobacz „Rozwiązywanie problemów”.

## System przeciwprzeciekowy

Czujnik u dołu urządzenia Cleone wykrywa wycieki wody. W przypadku wycieku, dopływ wody zasilającej zostaje zamknięty. Urządzenia Cleone nie można uruchomić, do czasu usunięcia wycieku.

## Dane techniczne



Więcej szczegółowych informacji znajduje się na stronie [www.bluewatergroup.com](http://www.bluewatergroup.com).

| Parametr/Model                                   | Cleone Classic            | Cleone Balance            | Cleone Ultra              | Cleone PurityPlus         |
|--|---------------------------|---------------------------|---------------------------|---------------------------|
| Wymiary szer. x głęb. x wys. [mm (cale)]         | 215x380x416 (8.5x15x16.4) | 215x380x416 (8.5x15x16.4) | 215x380x416 (8.5x15x16.4) | 215x380x416 (8.5x15x16.4) |
| Waga [kg (funty)]                                | 10.4 (22.9)               | 11 (24.2)                 | 11.4 (25.1)               | 12 (26.5)                 |
| Zasilanie prądem                                 | 95-240V 50-60Hz           | 95-240V 50-60Hz           | 95-240V 50-60Hz           | 95-240V 50-60Hz           |
| Przeptyw wody uzdatnionej [l/dzień (gal./dzień)] | 160 (43)                  | 160 (43)                  | 160 (43)                  | 160 (43)                  |

# KONSERWACJA

## Konserwacja codzienna

### Czyszczenie urządzenia Cleone

Nie używaj chemikaliów do czyszczenia powierzchni urządzenia.



Alkohol, benzyna, kwasy organiczne i nieorganiczne, silne chemikalia (np. skoncentrowany płyn do mycia naczyń) spowodują uszkodzenie powierzchni urządzenia.



Do czyszczenia nie używaj twardych, ostrych ani ściernych narzędzi.

| Krok | Postępowanie   |
|------|--|
| 1    | Oczyść zewnętrzną powierzchnię miękką wilgotną ściereczką ze słabym roztworem detergentu, aby usunąć kurz, plamy i zanieczyszczenia. |
| 2    | Osusz miękką, suchą ściereczką.  |

### Konserwacja okresowa

Regularna konserwacja jest ważna dla zapewnienia



prawidłowego funkcjonowania i długiego okresu eksploatacji urządzenia. Zalecamy, aby konserwację i naprawy wykonywał tylko personel serwisowy zatwierdzony przez Bluewater.



Jakość wody zasilania wpływa na częstość konserwacji. Jeśli woda zasilająca zawiera wysoki poziom rozpuszczonych ciał stałych, konserwację należy przeprowadzać częściej.



Instrukcje na temat konserwacji podaje Kompletny podręcznik użytkownika na stronie [www.bluewatergroup.com](http://www.bluewatergroup.com).

| Częstotliwość                          | Opis   |
|--|--|
| co 6 miesięcy                          | *Wymień gruboziarnisty filtr wstępny, 20 mikronów (CL-20).   |
|  | *Wymień drobnoziarnisty filtr wstępny, 5 mikronów (CL-5).  |
|  | *Wymień filtr wstępny z węglem aktywnym (CL-C).  |
|  | *Wymień zintegrowany filtr mineralny.  |
|  | Przeprowadź test ciśnienia i jakości wody zasilającej.   |
| co 1 rok                               | *Wymień filtr końcowy z węglem aktywnym (CL-W linii C).  |
|  | Wymień lampę UV.   |
| co 3-5 lat                             | *Wymień membranę odwróconej osmozy.  |
| *UWAGA: Każdorazowo po wymianie filtra | Przed użyciem nowe filtry należy przepłukać. Procedury płukania są opisane w Kompletnym podręczniku użytkownika. |

# ROZWIĄZYWANIE PROBLEMÓW

## Rozwiązywanie prostych problemów



W przypadku objawów niewymienionych w poniższej tabeli lub poważniejszych problemów, zobacz Kompletny podręcznik użytkownika [www.bluewatergroup.com](http://www.bluewatergroup.com).

| Objaw   | Przyczyna   | Rozwiązanie   |
|---|---|---|
| Z kranu wody uzdatnionej nie płynie woda. Kontrolka działania systemu nie świeci się.                             | Urządzenie Cleone nie jest podłączone do prądu.   | Podłącz Cleone do zasilacza włączonego do sieci. Upewnij się, że kabel 24 V DC zasilacza jest podłączony do gniazda zasilania w urządzeniu Cleone.                          |
|   | Urządzenie Cleone nie uruchomiło się.   | Ustaw przelącznik zasilania w pozycji Wł. (pozycja „1”).  |
|   | Wykryto wewnętrzny wyciek. Urządzenie Cleone automatycznie zatrzymało pracę.                    | Skontaktuj się z dystrybutorem Bluewater.   |
| Z kranu wody uzdatnionej nie płynie woda. Kontrolka działania systemu świeci się.                                 | Urządzenie Cleone zostało zainstalowane po raz pierwszy i system jeszcze nie wypełnił się wodą. | Poczekaj, aż system wypełni się wodą.   |
|   | Wężę wody nie są podłączone lub podłączenia zostały wykonane nieprawidłowo.                     | Upewnij się, że połączenia są wykonane prawidłowo.  |
|   | Nie wykonano regularnej konserwacji. Filtry są niedrożne.                                       | Skontaktuj się z dystrybutorem Bluewater odnośnie urządzenia Cleone.  |
| Z kranu wody uzdatnionej nie płynie woda. Kontrolka działania systemu miga bardzo szybko. (0,1 s Wł., 0,1 s Wyt). | Ciśnienie wody zasilającej jest zbyt niskie i system zabezpieczający pompę odciął dopływ wody.  | Urządzenie Cleone zacznie działać normalnie, gdy ciśnienie wody wlotowej wróci do normy. Wykonaj płukanie urządzenia zgodnie z opisem w Kompletnym podręczniku użytkownika. |
| Z kranu wody uzdatnionej nie płynie woda. Kontrolka działania systemu miga szybko (0,5 s Wł, 0,5 s Wyt).          | Urządzenie Cleone zatrzymało pracę, z powodu niskiej jakości wody.                              | Skontaktuj się z dystrybutorem Bluewater w sprawie serwisu.   |
| Z kranu wody uzdatnionej płynie woda. Kontrolka działania systemu miga szybko (0,5 s Wł, 0,5 s Wyt).              | Pogorszyła się jakość wody.   | Korzystanie z uzdatnionej wody jest bezpieczne. Skontaktuj się z dystrybutorem Bluewater po dalsze informacje.  |

PL

| Objaw   | Przyczyna  | Rozwiązanie   |
|---|--|---|
| Kontrolka działania systemu miga powoli (2 s Wł., 2 s Wyt). | Wkłady filtra należy wymienić.                                     | Zobacz „Regularna konserwacja”, aby uzyskać informacje o tym, kiedy należy wymieniać wkłady filtra. Wymień wkłady filtra i zresetuj kontrolę zgodnie z opisem w Kompletnym podręczniku użytkownika. |
| Natężenie przepływu uzdatnionej wody z kranu jest niskie.   | Zbiornik wody uzdatnionej jest pusty z powodu dużego zużycia wody. | Zmień zbiornik na większy lub zainstaluj membranę o dużej wydajności.   |
|   | Ciśnienie powietrza w zbiorniku wody uzdatnionej jest niskie.      | Skontaktuj się z dystrybutorem Bluewater, aby przywrócić prawidłowe ciśnienie w zbiorniku wody uzdatnionej.   |
| Głośny, ciągły hałas podczas uzdatniania wody.              | Konieczna jest konserwacja pompy wspomagającej.                    | Skontaktuj się z dystrybutorem Bluewater.   |

# СОДЕРЖАНИЕ

|   |           |
|---|-----------|
| <b>БЕЗОПАСНОСТЬ</b>                     | <b>78</b> |
| Инструкции по технике безопасности      | 78        |
| Информация по технике безопасности      | 78        |
| <b>ОБЩЕЕ ОПИСАНИЕ ИЗДЕЛИЯ</b>           | <b>80</b> |
| Внешний вид Cleone                      | 80        |
| Внутреннее устройство очистителя Cleone | 81        |
| <b>ОБЗОР СИСТЕМЫ</b>                    | <b>82</b> |
| Описание системы                        | 82        |
| Установка                               | 82        |
| Использование по назначению             | 83        |
| Система фильтрации воды                 | 83        |
| Интеллектуальная промывка мембраны      | 84        |
| Система обеспечения качества воды       | 84        |
| Система защиты от утечки воды           | 84        |
| Техническая информация                  | 84        |
| <b>ОБСЛУЖИВАНИЕ</b>                     | <b>85</b> |
| Ежедневное обслуживание                 | 85        |
| Регулярное обслуживание                 | 85        |
| <b>УСТРАНЕНИЕ НЕИСПРАВНОСТЕЙ</b>        | <b>87</b> |
| Решение простых проблем                 | 87        |

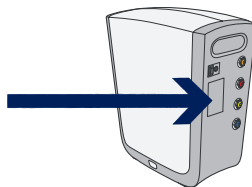
RU

## Отдел обслуживания клиентов

Для устранения мелких неисправностей, прежде чем обращаться за технической поддержкой, обратитесь к разделу «Устранение неисправностей».

При обращении к дилеру Bluewater будьте готовы сообщить следующие данные (указаны на тыльной стенке очистителя):

- Модель
- Номер изделия
- Серийный номер



## Информация по охране окружающей среды



Очиститель воды работает более эффективно, если он очищает воду в течение более длительного периода.

Пример: Очистка в пересчете на литр эффективнее, если набрать за раз несколько литров, а не один литр.



80% компонентов очистителя воды и упаковка снабжены этикетками с рекомендациями по их надлежащей утилизации.



Устройства, имеющие данную маркировку, подлежат утилизации в местных специализированных приемных пунктах для утилизации электрического и электронного оборудования.




Запрещается утилизация данного изделия вместе с обычными бытовыми отходами.


# БЕЗОПАСНОСТЬ

## Инструкции по технике безопасности

Прежде чем устанавливать устройство или пользоваться им, прочтите информацию о технике безопасности. Соблюдайте инструкции из настоящего руководства, чтобы не допустить травм или повреждения оборудования. В настоящем руководстве встречаются значки «ВНИМАНИЕ» и «ПРИМЕЧАНИЕ», которые необходимо учитывать для безопасной эксплуатации устройства.


---

 Значок «ВНИМАНИЕ» указывает на условия, которые могут привести к повреждению оборудования. **НЕ ИСПОЛЬЗУЙТЕ** очиститель Cleone, пока не усвоите и не выполните все перечисленные здесь условия.


 Значком «ПРИМЕЧАНИЕ» отмечена информация, важная для обеспечения безотказной и оптимальной работы очистителя Cleone.

---

## Информация по технике безопасности

 Не отсоединяйте наружные водяные патрубки и не работайте на них. Если вам нужно отсоединить водяные патрубки, обратитесь к вашему дилеру Bluewater. В чрезвычайной ситуации выполняйте инструкции из полного руководства пользователя.

Это устройство может использоваться детьми старше 8 лет. Данное устройство разрешается использовать лицам с ограниченными физическими, сенсорными и умственными возможностями, а также лицам с низким уровнем знаний и опыта, при условии, что они находятся под присмотром или прошли инструктаж по правилам безопасного использования данного устройства и уяснили степень сопряженных с ним опасностей.

 Не ремонтируйте и не меняйте внутренние компоненты очистителя Cleone. Это может нарушить работу очистителя Cleone или сделать небезопасной его эксплуатацию.

---

---

Для питания вашего очистителя Cleone используйте только оригинальный блок питания Bluewater Cleone. При использовании другого блока питания эксплуатация очистителя Cleone может быть небезопасной. Также это может повредить внутренние компоненты очистителя Cleone. Не используйте электрический шнур с видимыми признаками повреждения. Если электрический шнур поврежден, замените его во избежание опасности.

---



Мы рекомендуем, чтобы установку, обслуживание и ремонт очистителя воды проводили только квалифицированные техники, дистрибьюторы или обслуживающий персонал Bluewater. Неправильная установка, обслуживание или ремонт могут привести к нарушению нормальной работы очистителя и причинить материальный ущерб или травмы, не покрываемые гарантией. Используйте только оригинальные запасные картриджи и детали Bluewater.

---



Не погружайте очиститель Cleone в воду. Для очистки поверхности используйте влажную ткань и слабый мыльный раствор. Не пользуйтесь химикатами для очистки поверхности очистителя Cleone. Спирт, бензин, органические и неорганические кислоты, сильные щелочи (например, концентрированные средства для посудомоечных машин) могут повредить поверхность очистителя Cleone.

---



Не кладите и не храните вещи на очистителе Cleone.

---



Не подавайте в очиститель Cleone микробиологически опасную воду или воду неизвестного микробиологического качества.

---

RU



# ОБЩЕЕ ОПИСАНИЕ ИЗДЕЛИЯ

| Особенности моделей           | Cleone Classic | Cleone Balance | Cleone Ultra | Cleone PurityPlus |
|-------------------------------|----------------|----------------|--------------|-------------------|
| УФ лампа                      |                |                | ✓            | ✓                 |
| Встроенный минеральный фильтр |                | ✓              |              | ✓                 |

## Внешний вид Cleone

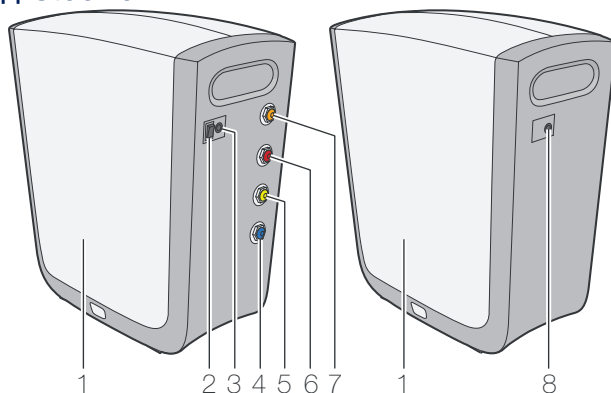


Figure 1. Внешний вид Cleone

| Поз. | Описание   | Поз. | Описание                               |
|------|--|------|--|
| 1    | Боковая крышка                                   | 5    | Разъем резервуара чистой воды – ЖЕЛТЫЙ |
| 2    | Выключатель питания                              | 6    | Разъем для слива воды – КРАСНЫЙ        |
| 3    | Разъем для подключения питания                   | 7    | Разъем для подачи воды – ОРАНЖЕВЫЙ     |
| 4    | Разъем для подключения крана чистой воды – СИНИЙ | 8    | Световой индикатор работы системы      |

## Выключатель питания

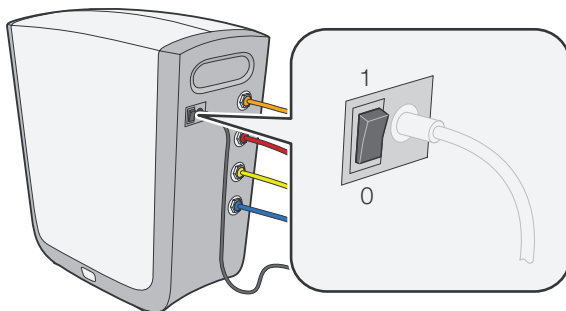


Figure 2. Выключатель питания

| Положение | Описание   |
|-----------|--|
| 1         | Очиститель Cleone включен. Можно очищать воду.   |
| 0         | Очиститель Cleone остановлен. Очистка воды не производится. Очищенная вода доступна, пока не опустеет резервуар. |



## Индикатор работы системы

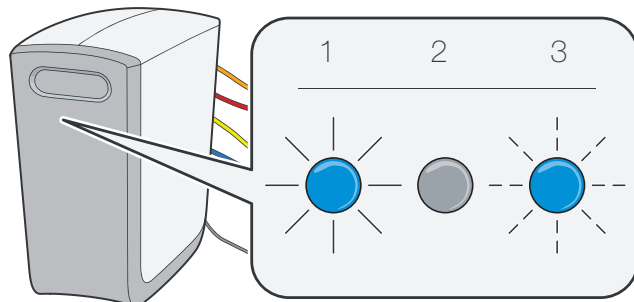


Figure 3. Индикатор работы системы

| Поз.          | Описание  |
|---------------|---|
| 1. Горит ●    | Очиститель Cleone работает правильно. Выключатель питания находится в положении «ВКЛ» (положение «1»).  |
| 2. Не горит ○ | Очиститель Cleone отключен. Выключатель питания находится в положении «ОТКЛ» (положение «0»).   |
|               | Если выключатель питания находится в положении «ВКЛ» (положение «1»), а индикатор не горит, обратитесь к разделу «Устранение неисправностей» или к вашему дилеру Bluewater. |
| 3. Мигает ●   | Обнаружена проблема. Обратитесь к разделу «Устранение неисправностей» или к вашему дилеру Bluewater.  |

## Внутреннее устройство очистителя Cleone

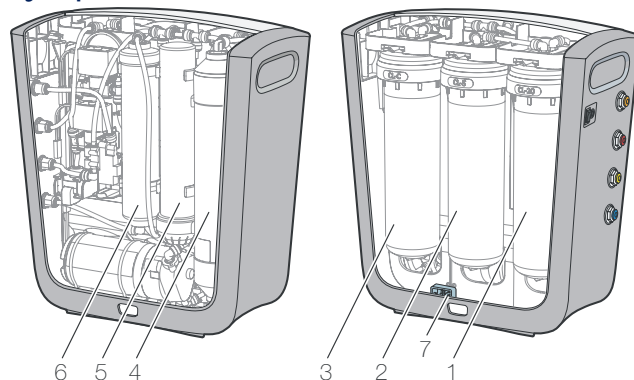


Figure 4. Внутреннее устройство очистителя Cleone

| Поз. | Описание   | Поз. | Описание   |
|------|--|------|--|
| 1    | Предварительный фильтр грубой очистки осадка 20 микрон (CL-20) | 5    | Выходной фильтр с активированным углем (CL-Inline-C) (Classic, Balance, Ultra) УФ лампа (PurityPlus)                 |
| 2    | Предварительный фильтр тонкой очистки осадка 5 микрон (CL-5)   | 6    | УФ лампа (Ultra)<br>Встроенный минеральный фильтр (Balance, PurityPlus)<br>В модели Classic эта позиция не заполнена |
| 3    | Предварительный фильтр с активированным углем (CL-C)           | 7    | Выключатель системы защиты от утечки воды  |
| 4    | Обратноосмотическая мембрана                                   |      |  |

# ОБЗОР СИСТЕМЫ

## Описание системы

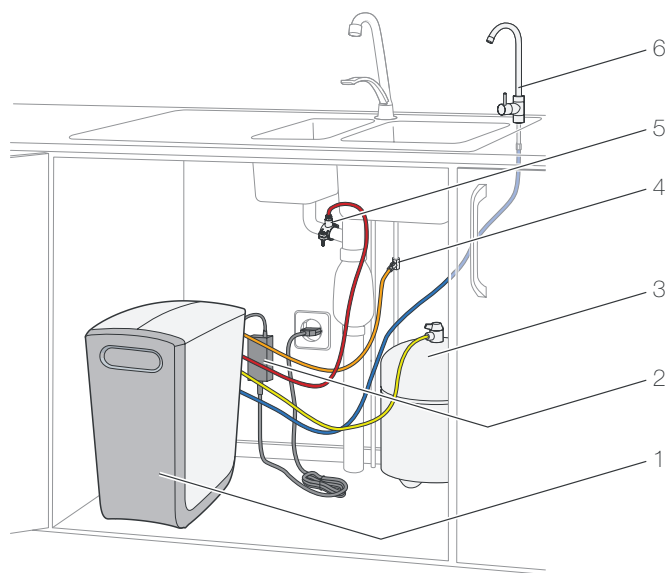


Figure 5. Обзор системы

| Поз. | Описание               | Поз. | Описание                   |
|------|------------------------|------|----------------------------|
| 1    | Очиститель воды Cleone | 4    | Разъем для подачи воды     |
| 2    | Блок питания           | 5    | Разъем для слива воды      |
| 3    | Резервуар чистой воды  | 6    | Кран очищенной чистой воды |

## Установка



При установке в США требуются особые инструкции. См. полное руководство пользователя.



Мы рекомендуем поручить установку очистителя Cleone профессионалу, рекомендованному авторизованным дилером Bluewater. Инструкцию по установке можно найти на сайте [www.bluewatergroup.com](http://www.bluewatergroup.com).

## Использование по назначению

Очиститель воды Cleone предназначен для использования в быту. Не используйте его в любых иных целях. Любое использование, кроме использования в помещении в домашних условиях, в любых целях, кроме очистки воды для бытовых нужд, считается использованием не по назначению и автоматически аннулирует гарантию на ваш очиститель Cleone.

## Система фильтрации воды

Cleone очищает воду в три этапа: предварительная фильтрация, мембранная фильтрация и выходная фильтрация. Вода, очищенная с помощью Cleone, собирается в резервуаре очищенной воды. Когда резервуар полон, очиститель Cleone переходит в режим ожидания. Когда уровень в резервуаре очищенной воды понизится, очиститель Cleone откроет подачу воды и начнет очистку.

## Разъемы для воды

На очистителе Cleone имеется четыре разъема для подключения водяных патрубков. Втулки и трубки имеют цветовую маркировку.

| Цвет      | Соединение            | Описание   |
|-----------|-----------------------|--|
| ОРАНЖЕВЫЙ | Для подачи воды       | Через разъем для подачи воды вода поступает в очиститель Cleone.                         |
| РАСНЫЙ    | Разъем для слива воды | Через сливной патрубок очистителя Cleone выводятся вода после промывки и загрязнения.    |
| ЖЕЛТЫЙ    | Резервуар чистой воды | Очищенная вода собирается в резервуаре чистой воды для подачи через кран очищенной воды. |
| СИНИЙ     | Кран очищенной воды   | Очищенная вода подается в кран очищенной воды.   |

RU

## Интеллектуальная промывка мембраны

Обратноосмотическая мембрана промывается регулярно, когда очиститель Cleone находится в режиме ожидания. Также мембрана промывается перед циклом очистки и после него. Это нужно, чтобы процесс очистки всегда начинался со свежей водой.

## Система обеспечения качества воды

Процесс очистки постоянно контролируется, чтобы обеспечить высокое качество воды. Если качество воды падает, начинает мигать индикатор работы системы. Если проблема не исчезнет, очиститель Cleone остановится. См. раздел «Устранение неисправностей».

## Система защиты от утечки воды

Датчик в нижней части очистителя Cleone обнаруживает утечку воды. Если обнаружена утечка, подача воды останавливается. Пока утечка не будет устранена, запустить очиститель Cleone не удастся.

## Техническая информация




Более подробную техническую информацию можно найти на сайте [www.bluewatergroup.com](http://www.bluewatergroup.com).


| Параметр/модель                                | Cleone Classic            | Cleone Balance            | Cleone Ultra              | Cleone PurityPlus         |
|--|---------------------------|---------------------------|---------------------------|---------------------------|
| Размеры ШхГхВ [мм (дюймы)]                     | 215×380×416 (8.5×15×16.4) | 215×380×416 (8.5×15×16.4) | 215×380×416 (8.5×15×16.4) | 215×380×416 (8.5×15×16.4) |
| Масса [кг (фунтов)]                            | 10.4 (22.9)               | 11 (24.2)                 | 11.4 (25.1)               | 12 (26.5)                 |
| Электропитание                                 | 95-240V 50-60Hz           | 95-240V 50-60Hz           | 95-240V 50-60Hz           | 95-240V 50-60Hz           |
| Расход очищенной воды [л/сутки (галлон/сутки)] | 160 (43)                  | 160 (43)                  | 160 (43)                  | 160 (43)                  |

# ОБСЛУЖИВАНИЕ

## Ежедневное обслуживание

### Чистка


 Не используйте химические средства для очистки поверхностей. Спирт, бензин, органические и неорганические кислоты, сильные щелочи (например, концентрированные средства для посудомоечных машин) могут повредить поверхность.


 Не используйте при чистке очистителя воды твердые, острые или абразивные инструменты.


| Этап | Действие  |
|------|---|
| 1    | С помощью мягкой влажной ткани и слабого мыльного раствора очистите внешнюю поверхность, чтобы удалить пыль, пятна и грязь. |
| 2    | Удалите остатки влаги мягкой сухой тканью.  |

### Регулярное обслуживание

RU

 Регулярное техническое обслуживание имеет важное значение для правильного функционирования и обеспечения длительного срока службы устройства. Мы рекомендуем, чтобы обслуживание и ремонт проводил только одобренный компанией Bluewater сервисный персонал.

 Частота обслуживания зависит от качества подаваемой воды. Если в подаваемой воде высокое содержание растворенных твердых веществ, чаще выполняйте обслуживание.

 Инструкции по проведению обслуживания см. в полном руководстве пользователя на сайте [www.bluewatergroup.com](http://www.bluewatergroup.com).

| Периодичность                          | Описание  |
|--|---|
| 6 месяца                               | * Замена предварительного фильтра грубой очистки осадка 20 микрон (CL-20).                                |
|  | * Замена предварительного фильтра тонкой очистки осадка 5 микрон (CL-5).                                  |
|  | * Замена предварительного фильтра с активированным углем (CL-C).  |
|  | * Замена встроенного минерального фильтра.  |
|  | Проверка давления и качества подаваемой воды.   |
| 1 год                                  | * Замена выходного фильтра с активированным углем (CL-Inline-C)   |
|  | Замена УФ лампы.  |
| 3-5 лет                                | * Замена обратноосмотической мембраны.  |
| *ПРИМЕЧАНИЕ: При каждой замене фильтра | Промывайте новые фильтры перед использованием. Порядок промывки указан в полном руководстве пользователя. |

# УСТРАНЕНИЕ НЕИСПРАВНОСТЕЙ

## Решение простых проблем



В случае симптомов, не описанных в таблице ниже, или более серьезных проблем обращайтесь к полному руководству пользователя на сайте [www.bluewatergroup.com](http://www.bluewatergroup.com).

| Признак   | Причина  | Решение   |
|---|--|---|
| Вода не течет из крана очищенной воды. Не горит индикатор работы системы.   | Очиститель Cleone не подключен к питанию.  | Подключите очиститель Cleone к розетке и к блоку питания. Убедитесь, что шнур питания 24 В постоянного тока от блока питания подключен к разъему питания на очистителе Cleone.  |
|   | Очиститель Cleone не включен.  | Переверните выключатель электропитания в положение «ON» («ВКЛ.») (положение «1»).   |
|   | Обнаружена внутренняя утечка. Очиститель Cleone автоматически остановлен.          | Обратитесь к вашему дилеру Bluewater для устранения утечки и сброса системы.  |
| Вода не течет из крана очищенной воды. Горит индикатор работы системы.  | Очиститель Cleone установлен впервые, система не заполнена водой.                  | Дождитесь заполнения системы водой.   |
|   | Водяные патрубки не подключены или подключение выполнено неправильно.              | Убедитесь, что соединения выполнены правильно.  |
|   | Не выполнено регулярное обслуживание. Засорены предварительные фильтры.            | Для обслуживания очистителя Cleone обратитесь к вашему дилеру Bluewater.  |
| Вода не течет из крана очищенной воды. Индикатор работы системы очень быстро мигает. (горит 0,1 секунды, не горит 0,1 секунды). | Слишком низкое давление подачи воды, система защиты насоса остановила подачу воды. | Очиститель Cleone возобновит работу в обычном режиме, когда вернется давления подачи воды. Выполните промывку очистителя Cleone, как указано в полном руководстве пользователя. |
| Вода не течет из крана очищенной воды. Индикатор работы системы быстро мигает (горит 0,5 секунды, не горит 0,5 секунды).        | Очиститель Cleone остановлен из-за низкого качества воды.                          | Обратитесь за обслуживанием к вашему дилеру Bluewater.  |
| Вода течет из крана очищенной воды. Индикатор работы системы быстро мигает (горит 0,5 секунды, не горит 0,5 секунды).           | Снизилось качество воды.   | Очищенную воду можно использовать, это безопасно. За более подробной информацией обратитесь к вашему дилеру Bluewater.  |

RU

| Признак   | Причина   | Решение  |
|---|---|--|
| Индикатор работы системы медленно мигает (горит 2 секунды, не горит 2 секунды). | Требуется замена фильтров.                                  | График замены фильтров указан в разделе «Регулярное обслуживание». Замените фильтры и обнулите индикатор фильтра, как указано в полном руководстве пользователя. |
| Слабый напор очищенной воды из крана.   | Резервуар чистой воды пуст из-за большого потребления воды. | Установите бак увеличенной емкости или мембрану большей производительности.  |
|   | Низкое давление воздуха в резервуаре очищенной воды.        | Обратитесь к вашему дилеру Bluewater, чтобы восстановить давление воздуха в резервуаре очищенной воды.   |
| Сильный постоянный шум во время очистки воды.                                   | Требуется обслуживание подкачивающего насоса.               | Обратитесь к вашему дилеру Bluewater.  |



# INNEHÅLL

|                             |           |
|-----------------------------|-----------|
| <b>SÄKERHET</b>             | <b>89</b> |
| Säkerhetsanvisningar        | 89        |
| Säkerhetsinformation        | 89        |
| <b>PRODUKTÖVERSIKT</b>      | <b>91</b> |
| Cleones utsida              | 91        |
| Cleones insida              | 92        |
| <b>SYSTEMÖVERSIKT</b>       | <b>93</b> |
| Systembeskrivning           | 93        |
| Installation                | 93        |
| Avsedd användning           | 94        |
| Vattenfiltreringssystem     | 94        |
| Intelligent membranspolning | 94        |
| System för vattenkvalitet   | 94        |
| Läckskyddssystem            | 94        |
| Tekniska data               | 94        |
| <b>UNDERHÅLL</b>            | <b>95</b> |
| Dagligt underhåll           | 95        |
| Regelbundet underhåll       | 95        |
| <b>FELSÖKNING</b>           | <b>96</b> |
| Lösning av mindre problem   | 96        |

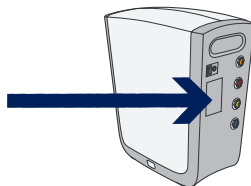
## Kundtjänst

Se "Felsökning" för att lösa mindre problem innan du ringer kundtjänst.

SE ●

Om du behöver support, se till att ha följande data (finns på vattenrenarens baksida) tillgängliga när du ringer din Bluewater-återförsäljare:

- Modell
- Produktnummer
- Serienummer



## Miljöinformation



Vattenrenaren är effektivare om den får rena vatten under längre perioder.

Exempel: Att behandla flera liter kostar mindre per liter än att behandla bara en liter i taget.



80 % av vattenrenarens komponenter och förpackningsmaterial är märkta för att hjälpa dig att bortskafter och återvinna material korrekt.



Apparater med denna symbol måste lämnas till en lokal återvinningscentral för bortskafter av elektrisk och elektronisk utrustning.




Denna produkt får inte bortskafter som normalt hushållsavfall.

# SÄKERHET

## Säkerhetsanvisningar

Innan du installerar eller använder enheten, måste du läsa säkerhetsinformationen. Följ instruktionerna i denna bruksanvisning för att förhindra skador på utrustningen. Denna bruksanvisning innehåller symboler för FÖRSIKTIGHET och OBS som ska respekteras för säker drift av enheten.

---

 En FÖRSIKTIGHET-symbol identifierar förhållanden som kan medföra personskador samt utrustningsskador. ANVÄND INTE Cleone om inte alla försiktighetsvillkor som anges nedan har förståtts och uppfyllts.


---

 En OBS-symbol identifierar viktig information för problemfri och effektiv användning av Cleone.

---

## Säkerhetsinformation

---

 Koppla inte bort externa vattenledningar och arbeta inte på dem. Kontakta din Bluewater-återförsäljare om du måste koppla bort vattenledningar. Vid nödsituation, följ den fullständiga bruksanvisningen.

---

Denna apparat får användas av barn som är äldre än 8 år. Den får också användas av personer med nedsatt fysisk, sensorisk eller mental förmåga eller brist på erfarenhet och kunskap, förutsatt att de övervakas eller får instruktioner angående säker användning av enheten och förstår aktuella risker.

---

 Försök inte reparera eller byta interna komponenter i Cleone. Detta kan få Cleone att fungera felaktigt eller bli farlig att använda.

---

Använd endast den ursprungliga Bluewater Cleone-matningsenheten till Cleone. Att använda en annan matningsenhet kan göra Cleone farlig att använda. Det kan också orsaka skador på interna delar av Cleone. Använd inte matningskabeln om den har synliga skador. Om matningskabeln är skadad måste den bytas för att förebygga fara.

---

---

Vi rekommenderar att endast godkända tekniker och distributörer, eller Bluewater-servicepersonal, utför



installationer, service och reparationer på vattenrenaren. Om dessa åtgärder inte utförs korrekt kan enheten fungera felaktigt och ge upphov till personskador och skador som inte omfattas av garantin. Använd endast originalersättningspatroner och delar från Bluewater.

---

Placera inte Cleone i vatten. Rengör utsidan med en mjuk fuktig trasa och en svag diskmedelslösning. Använd inte



kemikalier för att rengöra ytan på Cleone. Alkohol, bensin, organiska och oorganiska syror, starka basiska kemikalier (som koncentrerat diskmedel) skadar ytan på Cleone.



---

Placera eller förvara inte föremål ovanpå Cleone.



---

Använd inte Cleone med inloppsvatten som är mikrobiologiskt farligt eller där den mikrobiologiska kvaliteten inte är känd.

---



# PRODUKTÖVERSIKT

| Modellfunktioner         | Cleone Classic | Cleone Balance | Cleone Ultra | Cleone PurityPlus |
|--------------------------|----------------|----------------|--------------|-------------------|
| UV-lampa                 |                |                | ✓            | ✓                 |
| Integrerat mineralfilter |                | ✓              |              | ✓                 |

## Cleones utsida

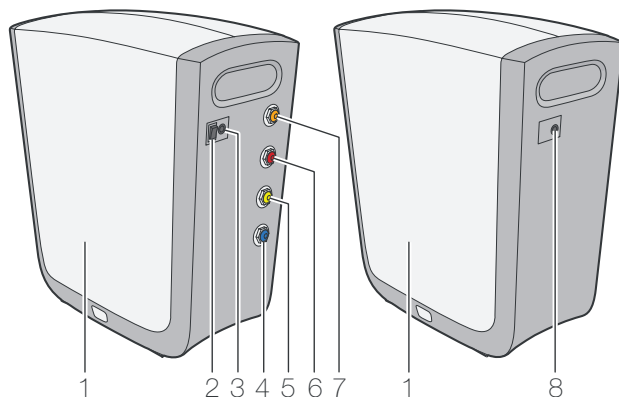


Figure 41. Cleones utsida

| Pos | Beskrivning                                 | Pos | Beskrivning                                 |
|-----|---|-----|---|
| 1   | Sidokåpa                                    | 5   | Anslutning till tank för renat vatten – GUL |
| 2   | Huvudströmbrytare                           | 6   | Utloppsvattenanslutning – RÖD               |
| 3   | Elektrisk anslutning                        | 7   | Anslutning för inloppsvatten – ORANGE       |
| 4   | Anslutning till kran för renat vatten – BLÅ | 8   | Systemets driftindikator                    |

## Huvudströmbrytare

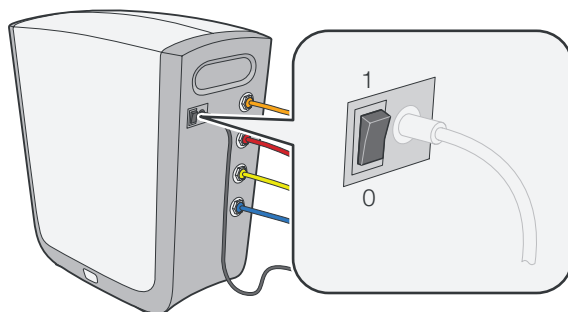


Figure 42. Huvudströmbrytare

| Position | Beskrivning   |
|----------|---|
| 1        | Cleone drift. Vatten kan renas.   |
| 0        | Cleone avstängd. Inget vatten renas. Renat vatten är fortfarande tillgängligt tills tanken är tömd. |

## Systemets driftindikator

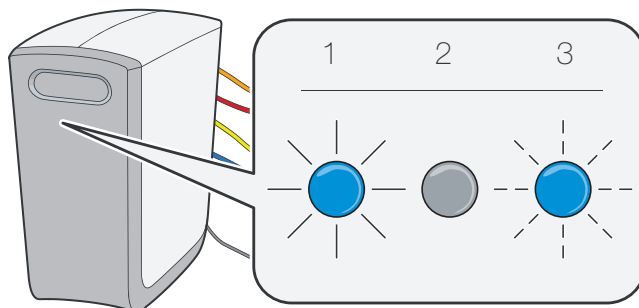


Figure 43. Systemets driftindikator

| Pos                     | Beskrivning   |
|-------------------------|---|
| 1. Indikator TÄND ●     | Cleone fungerar korrekt. Strömbrytaren är i läge Till (läge "1").   |
| 2. Indikator SLÄCKT ●   | Cleone är avstängd. Strömbrytaren är i läge Från (läge "0").  |
| 3. Indikatorn blinkar ● | Om huvudströmbrytaren är i läge Till (läge "1"), men indikatorn är släckt, se "Felsökning" eller kontakta din Bluewater-återförsäljare. |
| 3. Indikatorn blinkar ● | Det finns ett problem med Cleone. Se "Felsökning" eller kontakta din Bluewater-återförsäljare.  |

## Cleones insida

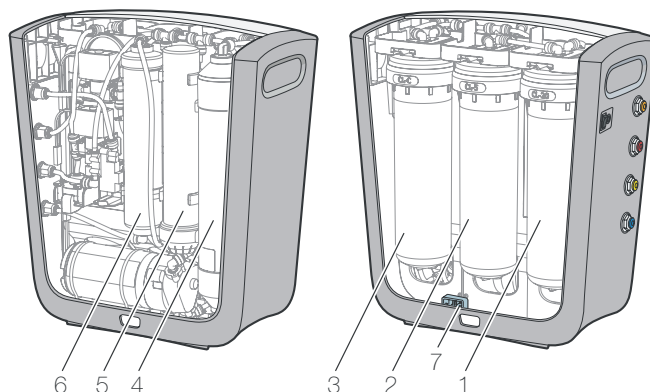


Figure 44. Cleones insida

| Pos | Beskrivning                                 | Pos | Beskrivning   |
|-----|---|-----|---|
| 1   | Grovt, 20 µm förfilter för sediment (CL-20) | 5   | Efterfilter med aktivt kol (CL-Inline-C) UV lampa (Classic, Balance, Ultra) (PurityPlus)        |
| 2   | Fint, 5 µm förfilter för sediment (CL-5)    | 6   | UV lampa Integrerat mineralfilter Positionen lämnas tom i Classic (Ultra) (Balance, PurityPlus) |
| 3   | Förfilter med aktivt kol (CL-C)             | 7   | Läckageskyddssensor   |
| 4   | Omvänd osmos-membran                        |     |   |

SE ●

# SYSTEMÖVERSIKT

## Systembeskrivning

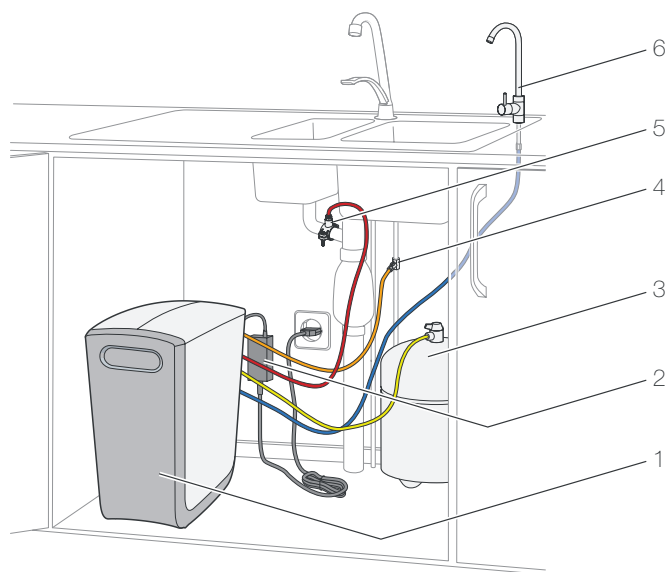


Figure 45. Systemöversikt

| Pos | Beskrivning           | Pos | Beskrivning                  |
|-----|-----------------------|-----|------------------------------|
| 1   | Vattenrenare Cleone   | 4   | Anslutning för inloppsvatten |
| 2   | Elanslutning          | 5   | Anslutning till avlopp       |
| 3   | Tank för renat vatten | 6   | Kran för renat vatten        |

## Installation

 För installation i USA krävs särskilda instruktioner. Se den fullständiga bruksanvisningen.

 Cleone bör installeras av en yrkesperson som rekommenderas av en Bluewater-återförsäljare. Installationsanvisningar finns på [www.bluewatergroup.com](http://www.bluewatergroup.com).

## Avsedd användning

Cleone är en vattenrenare för hemmabruk. Använd inte produkten för något annat ändamål. All användning i annan miljö än inomhusmiljö och för andra ändamål än rening av vatten för hushållsbruk betraktas som felaktig användning och medför att garantin på Cleone upphör att gälla.

## Vattenfiltreringssystem

Cleone renar vatten i tre steg: förfiltrering, membranfiltrering och efterfiltrering. Renat vatten från Cleone samlas i tanken för renat vatten. När tanken är full övergår Cleone till standby-läge. När nivån i tanken för renat vatten är låg öppnar Cleone inloppsvattentillförseln och börjar rena mer vatten.

## Vattenanslutningar

Det finns fyra vattenanslutningar på anslutningssidan av Cleone. Hylsringarna och slangarna är färgkodade.

| Färg   | Anslutning            | Beskrivning   |
|--------|-----------------------|---|
| ORANGE | Inloppsvatten         | Inloppsvattenanslutningen levererar inloppsvatten till Cleone.                                  |
| RÖD    | Utloppsvatten         | Utloppsvatten från Cleone till avloppssystemet innehåller bortfiltrerade föroreningar.          |
| GUL    | Tank för renat vatten | Renat vatten samlas i tanken för renat vatten innan det levereras till kranen för renat vatten. |
| BLÅ    | Kran för renat vatten | Renat vatten från Cleone levereras till kranen för renat vatten.                                |

## Intelligent membranspolning

Membranet för omvänd osmos spolas regelbundet med vatten när Cleone är i standby-läge. Membranet spolas också före och efter reningscykeln. Detta säkerställer att reningsprocessen alltid inleds med rent inloppsvatten.

## System för vattenkvalitet

Reningsprocessen övervakas kontinuerligt för att säkerställa att vattenkvaliteten är hög. Om vattenkvaliteten sjunker blinkar systemets driftindikator. Om problemet kvarstår, stängs Cleone av. Se "Felsökning".

## Läckskyddssystem

En sensor i botten av Cleone detekterar eventuellt läckage. Om det uppstår läckage stängs inloppsvattenflödet. Cleone kan inte startas igen förrän läckaget har reparerats.

## Tekniska data




För mer detaljerad information, se [www.bluewatergroup.com](http://www.bluewatergroup.com).

| Parameter/modell                   | Cleone Classic            | Cleone Balance            | Cleone Ultra              | Cleone PurityPlus         |
|------------------------------------|---------------------------|---------------------------|---------------------------|---------------------------|
| Storlek B x D x H [mm (tum)]       | 215x380x416 (8.5x15x16.4) | 215x380x416 (8.5x15x16.4) | 215x380x416 (8.5x15x16.4) | 215x380x416 (8.5x15x16.4) |
| Vikt [kg (lbs)]                    | 10.4 (22.9)               | 11 (24.2)                 | 11.4 (25.1)               | 12 (26.5)                 |
| Spänningsmatning                   | 95-240V 50-60Hz           | 95-240V 50-60Hz           | 95-240V 50-60Hz           | 95-240V 50-60Hz           |
| Renvattenproduktion [l/dygn (GPD)] | 160 (43)                  | 160 (43)                  | 160 (43)                  | 160 (43)                  |

# UNDERHÅLL

## Dagligt underhåll


### Rengöring av Cleone

 Använd inte kemikalier för att rengöra ytan. Alkohol, bensin, organiska och oorganiska syror, starka basiska kemikalier (som koncentrerat diskmedel) skadar ytan.

 Använd inte hårda, vassa eller slipande verktyg för att rengöra Cleone.

| Steg | Åtgärd  |
|------|---|
| 1    | Rengör utsidan med en mjuk fuktig trasa och en svag diskmedelslösning för att avlägsna damm, fläckar och smuts. |
| 2    | Torka med en mjuk, torr trasa.  |

### Regelbundet underhåll

 Regelbundet underhåll är viktigt för korrekt funktion och långvarig problemfri drift. Vi rekommenderar att endast Bluewater-godkänd servicepersonal utför underhåll och reparationer.

 Kvaliteten på inloppsvattnet styr underhållsfrekvensen. Om inloppsvattnet har en hög halt upplösta fasta ämnen, utför underhåll oftare.

 För instruktioner om hur man utför underhåll, se den fullständiga bruksanvisningen på [www.bluewatergroup.com](http://www.bluewatergroup.com).

| Intervall                           | Beskrivning  |
|-------------------------------------|--|
| 6 månader                           | *Byt grovt, 20 µm förfilter för sediment (CL-20).  |
|                                     | *Byt fint, 5 µm förfilter för sediment (CL-5).   |
|                                     | *Byt förfilter med aktivt kol (CL-C).  |
|                                     | *Byt det integrerade mineralfiltret.   |
|                                     | Kontrollera inloppsvattentryck och vattenkvalitet.   |
| 1 år                                | *Byt efterfilter med aktivt kol (CL-Inline-C).   |
|                                     | Byt UV-lampa.  |
| 3–5 år*                             | *Byt omvänd osmos-membran.   |
| *OBS: Varje gång ett filter byts ut | Spola det nya filtret innan du använder det. Se spolningsprocedurer i den fullständiga bruksanvisningen. |



# FELSÖKNING

## Lösning av mindre problem



För svårare problem, se den fullständiga bruksanvisningen på [www.bluewatergroup.com](http://www.bluewatergroup.com).

| Symtom  | Orsak  | Lösning  |
|---|--|--|
| Det kommer inget vatten från renvattenkranen. Systemets driftindikator är släckt.   | Vattenrenaren är inte ansluten till eltillförsel.                                    | Anslut Cleone till ett eluttag. Säkerställ att 24 V DC-kabeln är ansluten till både ström och maskin.  |
|   | Cleone startar inte.   | Ställ huvudströmbrytaren i läge Till (läge "1").   |
|   | Ett inre läckage har upptäckts. Cleone har stoppats automatiskt.                     | Kontakta din Bluewater-återförsäljare för reparation och omstart av systemet.  |
| Det kommer inget vatten från renvattenkranen. Systemets driftindikator är tänd.   | Cleone har installerats för första gången och systemet är inte fyllt med vatten.     | Vänta tills systemet är fyllt med vatten.  |
|   | Vattenledningarna är inte anslutna, eller är felaktigt anslutna.                     | Säkerställ att anslutningarna är korrekt utförda.  |
|   | Regelbundet underhåll har inte utförts. Förfiltren är igensatta.                     | Kontakta din Bluewater-återförsäljare för service av Cleone.   |
| Det kommer inget vatten från renvattenkranen. Systemets driftindikator blinkar mycket snabbt. (0,1 s TÄND, 0,1 s SLÄCKT). | Inloppsvattentrycket är för lågt och pumpskyddet har stängts av inloppsvattenflödet. | Cleone startar och fungerar som vanligt när inloppsvattentrycket återställs. Spola Cleone enligt beskrivningen i den fullständiga bruksanvisningen.                          |
| Det kommer inget vatten från renvattenkranen. Systemets driftindikator blinkar snabbt (0,5 s TÄND, 0,5 s SLÄCKT).         | Cleone har stängts av eftersom vattenkvaliteten är låg.                              | Kontakta din Bluewater-återförsäljare för service.   |
| Det kommer vatten från renvattenkranen. Systemets driftindikator blinkar snabbt (0,5 s TÄND, 0,5 s SLÄCKT).               | Vattenkvaliteten har sjunkit.  | Renvattnet är fortfarande säkert att dricka. Kontakta din Bluewater-återförsäljare för närmare information.  |
| Systemets driftindikator blinkar långsamt (2 s TÄND, 2 s SLÄCKT).   | Filtren måste bytas.   | Se "Regelbundet underhåll" för information om när filtren ska bytas. Byt ut filtren och återställ filterindikatorn enligt beskrivningen i den fullständiga bruksanvisningen. |
| Flödet från renvattenkranen är lågt.  | Tanken för renat vatten är tom på grund av hög vattenförbrukning.                    | Uppgradera till en större tank eller ett högkapacitetsmembran.   |
|   | Luftrycket i tanken för renat vatten är lågt.  | Kontakta din Bluewater-återförsäljare för att återställa rätt luftryck i tanken för renat vatten.  |
| Onormalt kontinuerligt buller vid vattenrening.   | Boosterpumpen behöver underhåll.   | Kontakta din Bluewater-återförsäljare.   |

SE



# SISÄLTÖ

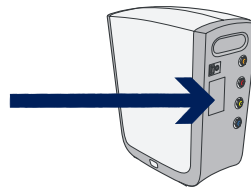
|   |            |
|---|------------|
| <b>TURVALLISUUS</b>                     | <b>99</b>  |
| Turvallisuusohjeet                      | 99         |
| Turvallisuustiedot                      | 99         |
| <b>TUOTEKATSAUS</b>                     | <b>101</b> |
| Cleone ulkopuolelta                     | 101        |
| Cleone sisäpuolelta                     | 102        |
| <b>JÄRJESTELMÄKATSAUS</b>               | <b>103</b> |
| Järjestelmän kuvaus                     | 103        |
| Asennus                                 | 103        |
| Käyttötarkoitus                         | 104        |
| Vedensuodatusjärjestelmä                | 104        |
| Älykäs kalvohuuhtelu                    | 104        |
| Vedenlaatujärjestelmä                   | 104        |
| Vuotosuojausjärjestelmä                 | 104        |
| Tekniset tiedot                         | 104        |
| <b>HUOLTO</b>                           | <b>105</b> |
| Päivittäinen huolto                     | 105        |
| Säännöllinen kunnossapito               | 105        |
| <b>VIANHAKU</b>                         | <b>106</b> |
| Yksinkertaisten ongelmien ratkaiseminen | 106        |

## Asiakaspalvelu

SeeKatso pienten ongelmien ratkaisemiseen apua Vianhaku-kohdasta ennen kuin otat yhteyttä huoltoon.

Varaa esille seuraavat tiedot (ne näkyvät suodattimen takana olevasta tyyppikilvestä), kun aiot soittaa Bluewaterille:

- Malli
- Tuotenumero
- Sarjanumero



## Ympäristötiedot



Vedenpuhdistin on tehokkain, kun se puhdistaa vettä pitkän aikaa kerrallaan.

Esimerkki: Kun täytät laitteeseen monta litraa kerralla, sen toiminta on tehokkaampaa kuin jos täyttäisit litran kerralla.



80 %:ssa vedenpuhdistimen osista ja sen pakkauksessa on merkintä, joka auttaa kierrättämään ja hävittämään ne oikein.



Tällä symbolilla merkityt laitteet on toimitettava paikalliseen sähkö- ja elektroniikkalaitteiden kierrätyspisteeseen.



Tätä tuotetta ei saa hävittää tavallisen kotitalousjätteen mukana.

# TURVALLISUUS

## Turvallisuusohjeet

Ennen kuin asennat laitteen tai käytät sitä, sinun on luettava turvallisuustiedot. Noudata tämän käsikirjan ohjeita välttääksesi loukkaantumiset ja laitteen vaurioituminen. Tämä käsikirja sisältää VAROITUKSIA ja HUOMAUTUKSIA, jotka koskevat laitteen turvallista käyttöä.



**TÄRKEÄÄ**-merkintä viittaa tilanteisiin, joista voi aiheutua vahinkoa laitteelle. **ÄLÄ KÄYTÄ** Cleonea, ellet ole ymmärtänyt kaikkia alla esitettäviä varoituksia ja täyttäneet kaikkia ehtoja.



**HUOMAUTUS**-merkintä viittaa tärkeisiin tietoihin, joita tarvitaan pyrittäessä käyttämään Cleonea ongelmattomasti ja optimaalisesti.

## Turvallisuustiedot



Älä irrota ulkopuolisia vesiputkia äläkä tee niihin muutoksia. Pyydä apua Bluewater-jälleenmyyjältä, jos vesiputkia on irrotettava. Hätätilanteessa noudata täydellisen käyttöohjeen ohjeita.



Tätä laitetta saavat käyttää 8 vuotta täyttäneet henkilöt. Sitä saavat käyttää henkilöt, joiden fyysiset, aistilliset tai henkiset kyvyt ovat heikentyneet tai henkilöt, jotka eivät ole käyttäneet laitetta tai eivät tunne sitä, vain jos heitä opastetaan laitteen turvallisessa käytössä ja jos he ymmärtävät laitteen käyttöön liittyvät vaarat.



Älä korjaa tai muuta Cleonen sisäisiä osia. Se voi johtaa Cleonen toimintavirheisiin tai tehdä sen käytöstä vaarallista.



Käytä Cleone-laitteesi virtalähteenä ainoastaan alkuperäistä Bluewater-muuntajaa. Muunlaisen muuntajan käyttö voi tehdä Cleonen käytöstä vaarallista. Se voi myös vahingoittaa Cleonen sisäisiä osia. Älä käytä johtoa, jos siinä on näkyviä merkkejä vaurioista. Jos virtajohto on vaurioitunut, vaihda se vaaratilanteiden välttämiseksi

FI ●

---

Ainoastaan Bluewaterin valtuuttama teknikko, jälleenmyyjä tai huoltohenkilö saa tehdä vedenpuhdistimelle huolto-, kunnossapito- ja korjaustöitä. Töiden asiantunteamaton suoritus voi johtaa laitteen toimintavirheisiin tai vikaantumiseen ilman, että takuu tätä kattaa. Käytä ainoastaan alkuperäisiä Bluewater-varapatruunoita ja -osia.



---

Älä laita Cleone-laitetta veteen. Puhdista pinta kostealla liinalla ja miedolla saippualliuoksella. Älä käytä kemikaaleja Cleonen pinnan puhdistamiseen. Alkoholi, bensiini, orgaaniset ja epäorgaaniset hapot sekä vahvat peruskemikaalit (kuten astianpesuainetiiviste) vaurioittavat Cleonen pintaa.



---

Älä laita esineitä Cleonen päälle tai pidä niitä siinä.



---

Älä käytä Cleonea, jos tulovesi on mikrobiologisesti vaarallista tai veden mikrobiologinen laatu ei ole tiedossa.

---



# TUOTEKATSAUS

| Model Features               | Cleone Classic | Cleone Balance | Cleone Ultra | Cleone PurityPlus |
|------------------------------|----------------|----------------|--------------|-------------------|
| UV-lamppu                    |                |                | ✓            | ✓                 |
| Integroitu mineraalisuodatin |                | ✓              |              | ✓                 |

## Cleone ulkopuolelta

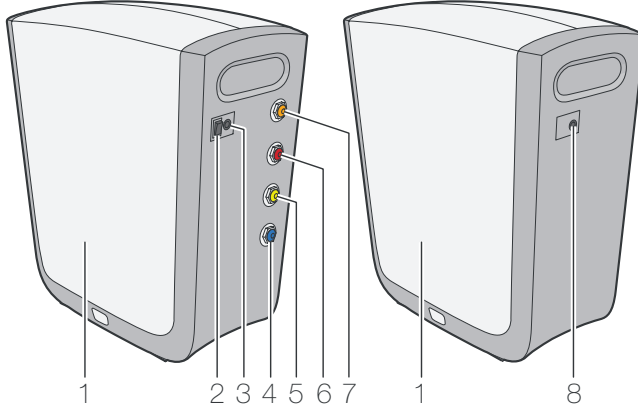


Figure 46. Cleone ulkopuolett

| Nro | Kuvaus                             | Nro | Kuvaus                               |
|-----|------------------------------------|-----|--------------------------------------|
| 1   | Sivusuojapelti                     | 5   | Puhdasvesisäiliön liitin - KELTAINEN |
| 2   | Virtakatkaisin                     | 6   | Poistovesiliitin - PUNAINEN          |
| 3   | Sähköliitäntä                      | 7   | Tulovesiliitin - ORANSSI             |
| 4   | Puhdasvesihanavan liitin - SININEN | 8   | Järjestelmän toiminnan ilmaisin      |

## Power switch

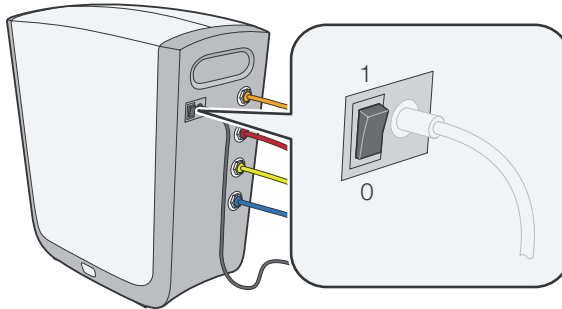


Figure 47. Power switch

| Nro | Kuvaus  |
|-----|---|
| 1   | Cleone on käynnistetty. Vettä voidaan puhdistaa.  |
| 0   | Cleone on sammutettu. Vettä ei puhdisteta. Puhdasvesisäiliöstä tulevaa vettä voidaan käyttää, kunnes säiliö on tyhjä. |

## Järjestelmän toiminnan ilmaisin

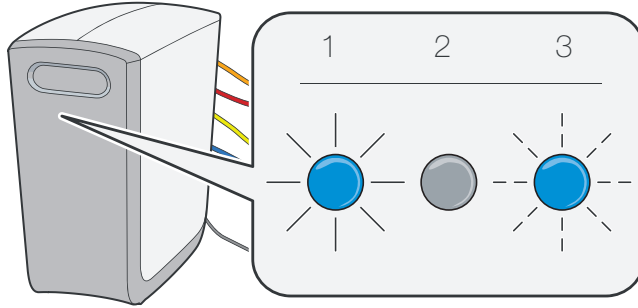


Figure 48. Järjestelmän toiminnan ilmaisin

| Nro             | Kuvaus   |
|-----------------|--|
| 1. Valo PÄÄLLÄ  | ● Cleone toimii oikein. Virtakatkaisin on päälle kytkettynä asennossa 1.                   |
| 2. Valo POIS    | ● Cleone on sammutettu. Virtakatkaisin on pois kytkettynä asennossa 0.                     |
| 3. Valo vilkkuu | ⚡ Cleonessa on ongelma. Katso Vianhaku-kohtaa tai ota yhteyttä Bluewaterin jälleenmyyjään. |

## Cleone sisäpuolelta

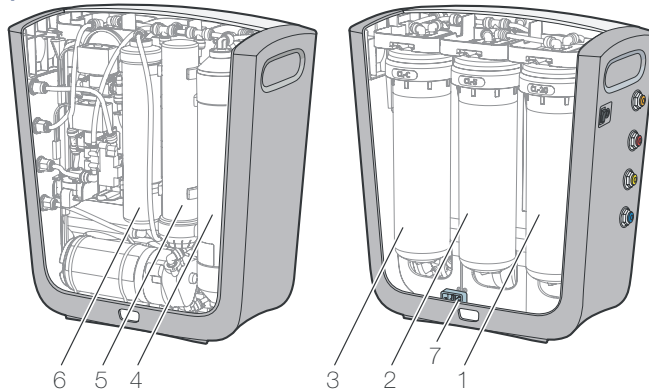


Figure 49. Cleone sisäpuolelta

| Nro | Kuvaus  | Nro | Kuvaus  |
|-----|---|-----|---|
| 1   | Karkean, 20 mikronin sedimentin esisuodatin (CL-20) | 5   | Aktiivihiihlisjälkisuodatin (CL-Inline-C) UV-lamppu (Classic, Balance, Ultra) (PurityPlus)              |
| 2   | Hienon, 5 mikronin sedimentin esisuodatin (CL-5)    | 6   | UV-lamppu Integroitu mineraalisuodatin Classic-mallissa sijainti on tyhjä (Ultra) (Balance, PurityPlus) |
| 3   | Aktiivihiihlis-suodatin (CL-C)                      | 7   | Vuotosuojajärjestelmän katkaisin  |
| 4   | Käänteisosmoosikalvo                                |     |   |

# JÄRJESTELMÄKATSAUS

## Järjestelmän kuvaus

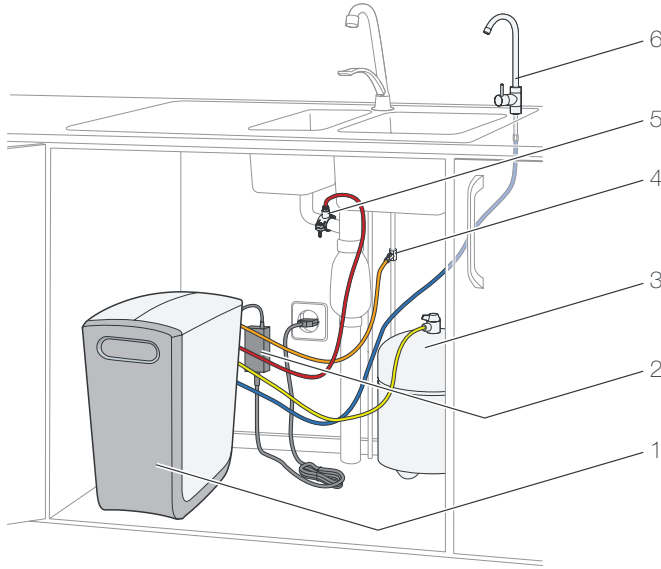



Figure 50. Järjestelmän kuvaus

| Nro | Kuvaus                | Nro | Kuvaus             |
|-----|-----------------------|-----|--------------------|
| 1   | Cleone-vedenpuhdistin | 4   | Tulovesiliitäntä   |
| 2   | Muuntaja              | 5   | Poistovesiliitäntä |
| 3   | Puhdasvesisäiliö      | 6   | Puhdasvesihana     |

FI

## Asennus

 Yhdysvalloissa tehtävään asennukseen tarvitaan erikoisohjeet. Katso lisää täydellisestä käyttöohjeesta.

 Suosittelemme Cleonen asennuksen teettämistä valtuutetun Bluewater-jälleenmyyjän suosittelemalla ammattilaisella. Asennusohjeet ovat luettavissa osoitteesta [www.bluewatergroup.com](http://www.bluewatergroup.com).

## Käyttötarkoitus

Cleone on kotikäyttöön tarkoitettu vedenpuhdistin. Älä käytä sitä mihinkään muuhun tarkoitukseen. Käyttö muualla kuin sisällä kotiympäristössä ja muihin tarkoituksiin kuin veden puhdistamiseen kotikäyttöä varten katsotaan ohjeiden vastaiseksi käytöksi, joka automaattisesti johtaa Cleone-laitteen takuun raukeamiseen.

## Vedensuodatusjärjestelmä

Cleonen käyttämässä vedenpuhdistusmenetelmässä on kolme vaihetta: esisuodatus, kalvosuodatus ja jälkisuodatus. Cleonesta tuleva puhdas vesi kerätään puhdasvesisäiliöön. Kun säiliö on täynnä, Cleone siirtyy valmiustilaan. Kun veden pinta puhdasvesisäiliössä on matalalla, Cleone avaa tuloveden syötön ja alkaa puhdistaa lisää vettä.

## Vesiliitännät

Cleonen liitäntäpuolella on neljä vesiliitäntää. Säätörenkaissa ja letkuissa on käytössä värikoodi.

| Väri      | Liitäntä         | Kuvaus   |
|-----------|------------------|--|
| ORANSSI   | Tulovesi         | Tulovesiliitännän kautta tulee Cleoneen tulovesi.  |
| PUNAINEN  | Poistovesi       | Cleonesta viemäriputkeen menevä poistovesi sisältää veden seasta huuhdeltuja ja poistettuja epäpuhtauksia. |
| KELTAINEN | Puhdasvesisäiliö | Puhdas vesi kerätään puhdasvesisäiliöön, mistä se menee edelleen puhdasvesihanaan.                         |
| SININEN   | Puhdasvesihana   | Puhdas vesi kulkee Cleonesta puhdasvesihanaan.   |

## Älykäs kalvohuuhtelu

Käänteisosmoosikalvoa huuhdellaan säännöllisesti vedellä, kun Cleone on valmiustilassa. Kalvo huuhdellaan myös ennen ja jälkeen puhdistusjakson. Tällä varmistetaan, että puhdistusprosessi aina alkaa raikkaalla syöttövedellä.

## Vedenlaatuja järjestelmä

Puhdistusprosessia valvotaan jatkuvasti veden korkean laadun varmistamiseksi. Jos vedenlaatu heikkenee, järjestelmän toimintavalo vilkkuu. Jos ongelma jatkuu, Cleone pysähtyy. Katso Vianhaku-kohtaa.

## Vuotosuojajärjestelmä

Cleonen pohjassa oleva anturi havaitsee vesivuodot. Vuodon sattua tuloveden syöttö keskeytyy. Cleonea ei voi käynnistää uudelleen ennen kuin vuoto on korjattu.

## Tekniset tiedot



Katso tarkemmat tekniset tiedot osoitteesta [www.bluewatergroup.com](http://www.bluewatergroup.com).


| Parametri/Malli                         | Cleone Classic               | Cleone Balance               | Cleone Ultra                 | Cleone PurityPlus            |
|---|------------------------------|------------------------------|------------------------------|------------------------------|
| Koko LxSxK [mm]                         | 215x380x416<br>(8.5x15x16.4) | 215x380x416<br>(8.5x15x16.4) | 215x380x416<br>(8.5x15x16.4) | 215x380x416<br>(8.5x15x16.4) |
| Paino [kg]                              | 10.4                         | 11                           | 11.4                         | 12                           |
| Virtalähde                              | 95-240V 50-60Hz              | 95-240V 50-60Hz              | 95-240V 50-60Hz              | 95-240V 50-60Hz              |
| Puhdistetun veden virtaama [l/pv (GPD)] | 160 (43)                     | 160 (43)                     | 160 (43)                     | 160 (43)                     |



# HUOLTO

## Päivittäinen huolto


### Cleonen puhdistus

 Älä käytä kemikaaleja pinnan puhdistamiseen. Alkoholi, bensiini, orgaaniset ja epäorgaaniset hapot sekä vahvat peruskemikaalit (kuten astianpesuainetiiviste) vaurioittavat pintaa.

 Älä käytä Cleonen puhdistamiseen kovia, teräviä tai hiovia työkaluja.

| Vaihe | Toimenpide  |
|-------|---|
| 1     | Puhdista ulkopinta pehmeällä, kostealla liinalla ja miedolla saippualluoksella pölyn, tahrojen ja lian poistamiseksi. |
| 2     | Kuivaa pehmeällä, kuivalla liinalla.  |

### Säännöllinen kunnossapito

 Säännöllinen kunnossapito on tärkeää oikeanlaisen, pitkäaikaisen toiminnan varmistamiseksi. Ainoastaan Bluewaterin hyväksymä huoltohenkilö saa tehdä huolto- ja korjaustöitä.

 Veden laatu määrää kunnossapitovälit. Jos syöttöveden on liennut suuria määriä kiinteitä aineita, kunnossapito on tehtävä useammin.

 Katso ohjeet kunnossapitotöihin täydellisestä käyttöohjeesta osoitteesta [www.bluewatergroup.com](http://www.bluewatergroup.com).

FI

| Huoltoväli                                       | Kuvaus  |
|--|---|
| 6 kuukautta                                      | *Vaihda karkean, 20 mikronin sedimentin esisuodatin (CL-20).  |
|  | *Vaihda hienon, 5 mikronin sedimentin esisuodatin (CL-5).   |
|  | *Vaihda aktiivihiiiliesuodatin (CL-C).  |
|  | *Vaihda integroitu mineraalisuodatin.   |
|  | Tee syöttöveden paine- ja laatutarkastus.   |
| 1 vuosi  | *Vaihda aktiivihiielijälkisuodatin (CL-Inline-C).   |
|  | Vaihda UV-lamppu.   |
| 3–5 vuotta                                       | *Vaihda käänteisomoosikalvo.  |
| *HUOM! Joka kerta suodattimen vaihdon yhteydessä | Huuhtele uudet suodattimet ennen käyttöä. Huuhtelusta saat lisätietoa täydellisestä käyttöohjeesta. |

# VIANHAKU

## Yksinkertaisten ongelmien ratkaiseminen



Katso alla olevasta luettelosta puuttuviin tai vakavampiin ongelmiin apua täydellisestä käyttöohjeesta osoitteesta [www.bluewatergroup.com](http://www.bluewatergroup.com)

| Ongelma   | Syy  | Ratkaisu   |
|---|--|--|
| Puhdasvesihanasta ei tule vettä. Järjestelmän toimintavalo ei pala.   | Cleone ei ole kytkettynä verkkovirtaan.  | Kytke Cleone pistorasiaan ja muuntajaan. Varmista, että 24 V:n tasavirtajohto muuntajasta on kytkettynä Cleonen sähköliitäntään.   |
|   | Cleonea ei ole käynnistetty.   | Käännä virtakatkaisin asentoon 1.  |
|   | On havaittu sisäinen vuoto. Cleone on sammunut automaattisesti.                                | Ota yhteys Bluewaterin jälleenmyyjään vuodon korjaamista ja järjestelmän uudelleenkäynnistystä varten.   |
| Puhdasvesihanasta ei tule vettä. Järjestelmän toimintavalo palaa.   | Cleone on asennettu ensimmäisen kerran, eikä järjestelmä ole ehtinyt täyttyä vedellä           | Odota, että järjestelmä täyttyy vedellä.   |
|   | Vesiputkia ei ole liitetty tai liitännät on tehty virheellisesti.                              | Varmista, että liitännät on tehty oikein.  |
|   | Määräaikaista kunnossapitoa ei ole tehty. Esisuodattimet ovat tukossa.                         | Ota yhteys Bluewaterin jälleenmyyjään Cleonen kunnossapitoa varten.  |
| Puhdasvesihanasta ei tule vettä. Järjestelmän toimintavalo vilkkuu hyvin nopeasti (0,1 s PÄÄLLÄ, 0,1 s POIS). | Tuloveden paine on liian alhainen, ja pumpun suoja järjestelmä on katkaissut tuloveden syötön. | Cleone alkaa toimia normaalisti, kun tuloveden paine palautuu. Huuhto Cleone täydellisen käyttöohjeen ohjeiden mukaan.   |
| Puhdasvesihanasta ei tule vettä. Järjestelmän toimintavalo vilkkuu nopeasti (0,5 s PÄÄLLÄ, 0,5 s POIS).       | Cleone on sammunut, koska veden laatu on huono.  | Ota yhteyttä Bluewaterin jälleenmyyjään ja pyydä laitteen huoltoa.   |
| Puhdasvesihanasta tulee vettä. Järjestelmän toimintavalo vilkkuu nopeasti (0,5 s PÄÄLLÄ, 0,5 s POIS).         | Veden laatu on heikentynyt.  | Puhdistetun veden käyttö on turvallista. Lisätietoja saat ottamalla yhteyttä Bluewaterin jälleenmyyjään.   |
| Järjestelmän toimintavalo vilkkuu hitaasti (2 s PÄÄLLÄ, 2 s POIS).  | Suodattimet on vaihdettava.  | Katso lisätietoja suodattimien vaihtamisesta kohdasta Säännöllinen kunnossapito. Vaihda suodattimet ja nollaa suodattimen merkivalo kuten täydellisessä käyttöohjeessa on kuvattu. |
| Virtaus puhdasvesihanasta on hidasta.   | Puhdasvesisäiliö on tyhjä suuren vedenkulutuksen vuoksi.                                       | Vaihda suurempaan säiliöön tai suurkapasiteettikalvoon.  |
|   | Puhdasvesisäiliön ilmanpaine on alhainen.  | Ota yhteys Bluewaterin jälleenmyyjään oikean ilmanpaineen palauttamiseksi puhdasvesisäiliöön.  |
| Liikaa jatkuvaa melua veden puhdistuksen aikana.  | Apupumppu on huollettava.  | Ota yhteys Bluewaterin jälleenmyyjään.   |

# INNHOOLD

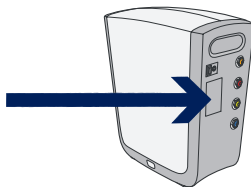
|                                |            |
|--------------------------------|------------|
| <b>SIKKERHET</b>               | <b>108</b> |
| Sikkerhetsanvisninger          | 108        |
| Sikkerhetsinformasjon          | 108        |
| <b>PRODUKTOVERSIKT</b>         | <b>110</b> |
| Cleone-enhetens utside         | 110        |
| Cleone-enhetens innside        | 111        |
| <b>SYSTEMOVERSIKT</b>          | <b>112</b> |
| Systembeskrivelse              | 112        |
| Installasjon                   | 112        |
| Tiltenkt bruk                  | 113        |
| Vannfiltreringssystem          | 113        |
| Intelligent membranspyling     | 113        |
| Vannkvalitetssystem            | 113        |
| System for lekkasjebeskyttelse | 113        |
| Teknisk informasjon            | 113        |
| <b>VEDLIKEHOLD</b>             | <b>114</b> |
| Daglig vedlikehold             | 114        |
| Regelmessig vedlikehold        | 114        |
| <b>FEILSØKING</b>              | <b>115</b> |
| Løse enkle problemer           | 115        |

## Kundeservice

Se «Feilsøking» for å løse mindre problemer før du kontakter brukerstøtten.

Hvis du trenger brukerstøtte, må du passe på at du har følgende opplysninger (finnes på baksiden av vannrenseren) for hånden når du ringer Bluewater-forhandleren din:

- Modell
- Produktnummer
- Serienummer



NO ●

## Miljøinformasjon



Vannrenseren er mer effektiv når den renser vann i lengre perioder.

For eksempel: Fylling av flere liter er mer effektivt per liter enn å bare fylle én liter av gangen.



80 % av komponentene i vannrenseren og emballasjen er merket for å hjelpe deg med å resirkulere og avhende produktene på riktig måte.



Apparater som er merket med dette symbolet, må leveres til godkjente returpunkter for avhending av elektrisk og elektronisk utstyr.



Dette produktet skal ikke avhendes som vanlig husholdningsavfall.

# SIKKERHET

## Sikkerhetsanvisninger

Les sikkerhetsinformasjonen før du installerer eller bruker apparatet. Følg instruksjonene i denne håndboken for å forhindre personskade og skade på utstyret. I denne håndboken er FORSIKTIG og MERKNAD brukt til å markere punkter som angår sikker bruk av apparatet.



Symbolet FORSIKTIG identifiserer forhold som kan forårsake skade på utstyret. IKKE BRUK Cleone-enheten med mindre alle forholdsreglene nedenfor har blitt forstått og oppfylt.



Et MERKNAD-symbol identifiserer viktig informasjon for problemfri og optimal bruk av Cleone-enheten.

## Sikkerhetsinformasjon

De eksterne vannslangene skal ikke kobles fra eller tukles med.



Kontakt Bluewater-forhandleren din hvis du må koble fra vannslanger. I et nødstilfelle, følg instruksjonene i den komplette brukerhåndboken.

Dette apparatet kan brukes av barn over 8 år. Det kan også brukes av personer med reduserte fysiske, sensoriske eller mentale evner eller mangel på erfaring eller kunnskap, hvis de er under tilsyn eller har fått instruksjoner om sikker bruk av apparatet og forstår farene som bruken medfører.



De indre komponentene i Cleone-enheten skal ikke repareres eller endres. Dette kan føre til at Cleone-enheten fungerer feil eller blir farlig å bruke.



Kun den originale Bluewater Cleone strømadapteren skal brukes som strømkilde til Cleone-enheten. Bruk av en annen strømadapter kan gjøre Cleone-enheten farlig å bruke. Det kan også forårsake skade på de indre delene i Cleone. Bruk ikke ledningen hvis den har synlige tegn på skader. Hvis strømledningen er skadet, må den byttes ut for å forhindre skade.



---

Vi anbefaler at kun godkjente teknikere, distributører eller Bluewaters servicepersonale utfører installasjoner, service og reparasjoner på vannrenseren. Hvis dette ikke utføres på riktig måte, kan det føre til feilfunksjoner i enheten samt personskade og skade som ikke dekkes av garantien. Bruk kun originale reservepatroner og -deler fra Bluewater.

---



Cleone-enheten skal ikke plasseres i vann. Rengjør overflaten med en fuktig klut og en svak såpeløsning. Bruk ikke kjemikalier til å rengjøre overflaten på Cleone-enheten. Alkohol, bensin, organisk eller uorganisk syre og sterkt basiske kjemikalier (for eksempel konsentrert oppvaskmiddel) forårsaker skade på overflaten av Cleone-enheten.

---



Ikke sett eller oppbevar gjenstander oppå Cleone-enheten.

---



Bruk ikke Cleone-enheten med vanntilførsel som er mikrobiologisk farlig, eller der den mikrobiologiske kvaliteten ikke er kjent.

---

# PRODUKTOVERSIKT

| Modellfunksjoner       | Cleone Classic | Cleone Balance | Cleone Ultra | Cleone PurityPlus |
|------------------------|----------------|----------------|--------------|-------------------|
| UV-lampe               |                |                | ✓            | ✓                 |
| Innebygd mineralfilter |                | ✓              |              | ✓                 |

## Cleone-enhetens utside

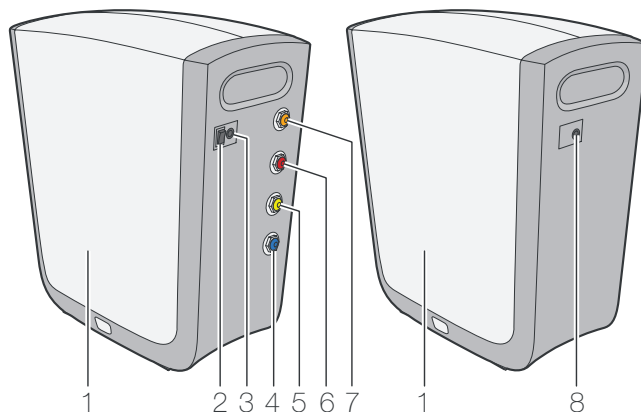


Figure 51. Cleone-enhetens utside

| Pkt | Beskrivelse                             | Pkt | Beskrivelse                             |
|-----|---|-----|---|
| 1   | Sidedecksel                             | 5   | Kobling for tank for rensset vann – gul |
| 2   | På/av-bryter                            | 6   | Kobling for tappevann – rød             |
| 3   | Elektrisk kontakt                       | 7   | Kobling for tilførselsvann – oransje    |
| 4   | Kobling for kran for rensset vann – blå | 8   | Indikatorlampe for systemdrift          |

## På/av-bryter

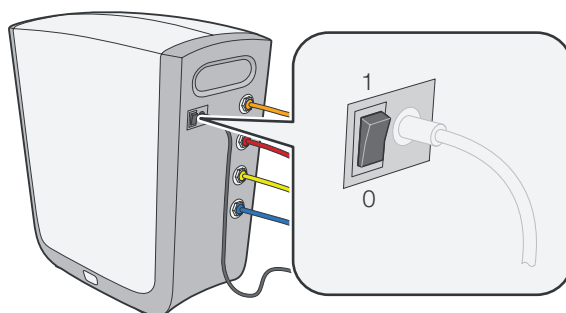


Figure 52. På/av-bryter

| Posisjon | Beskrivelse  |
|----------|--|
| 1        | Cleone-enheten er startet. Vann kan renses.  |
| 0        | Cleone-enheten er stanset. Ingen vannrensing pågår. Renset vann er fortsatt tilgjengelig inntil tanken er tom. |

## Indikator for systemdrift

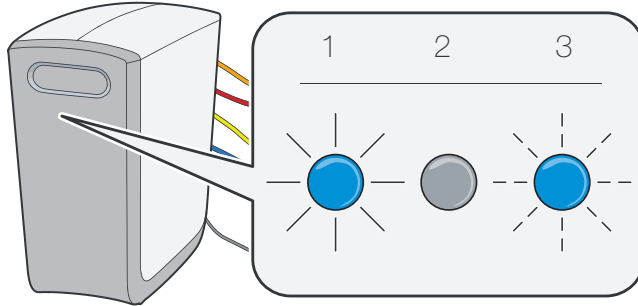


Figure 53. Indikator for systemdrift

| Pkt                | Beskrivelse   |
|--------------------|---|
| 1. Lys PÅ ●        | Cleone-enheten fungerer som den skal. På/av-bryteren er på (posisjon 1).  |
| 2. Lys AV ●        | Cleone-enheten er slått av. På/av-bryteren er av (posisjon 0).<br>Hvis strømbryteren er på (posisjon 1), men indikatorlampen er av, se «Feilsøking» eller kontakt Bluewater-forhandleren din. |
| 3. Lyset blinker ● | Det er et problem med Cleone-enheten. Se «Feilsøking» eller kontakt Bluewater-forhandleren din.   |

## Cleone-enhetens inside

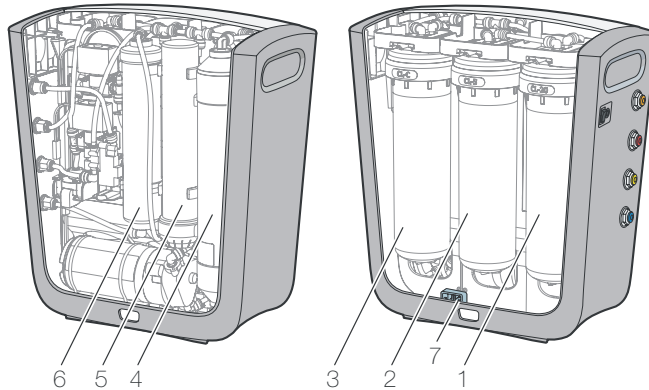


Figure 54. Cleone-enhetens inside

| Pkt | Beskrivelse                           | Pkt | Beskrivelse  |
|-----|---------------------------------------|-----|--|
| 1   | Grovt, 20-mikrons sedimentfilter      | 5   | Etterfilter med aktivert karbon (CL-Inline-C) UV-lampe<br>(Classic, Balance, Ultra) (PurityPlus)     |
| 2   | Fint, 5-mikrons sedimentfilter (CL-5) | 6   | UV-lampe<br>Innebygd mineralfilter<br>Posisjonen er tom for Classic<br>(Ultra) (Balance, PurityPlus) |
| 3   | Forfilter med aktivert karbon (CL-C)  | 7   | Systembryter for lekkasjebeskyttelse   |
| 4   | Omvendt osmose-membran                |     |  |

# SYSTEMOVERSIKT

## Systembeskrivelse

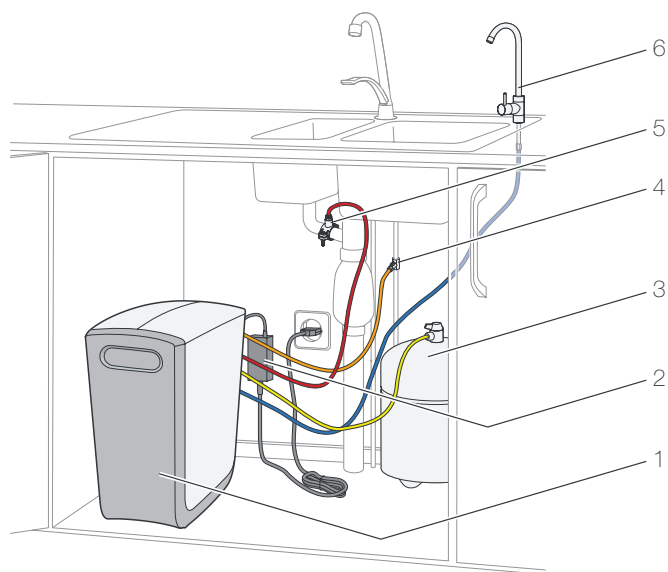


Figure 55. Systemoversikt

| Pkt | Beskrivelse           | Pkt | Beskrivelse              |
|-----|-----------------------|-----|--------------------------|
| 1   | Cleone vannrenser     | 4   | Tilførselsvanntilkobling |
| 2   | Strømadapter          | 5   | Tappevanntilkobling      |
| 3   | Tank for rensset vann | 6   | Kran for rensset vann    |

## Installasjon

 For installasjon i USA kreves spesielle instruksjoner. Se den komplette brukerhåndboken.

 Vi anbefaler å få Cleone installert av en fagperson som er anbefalt av en autorisert Bluewater-forhandler. Installasjonsinstruksjoner er tilgjengelige på [www.bluewatergroup.com](http://www.bluewatergroup.com).



## Tiltenkt bruk

Cleone er en vannrenser til hjemmebruk. Den skal ikke brukes til noe annet formål. Enhver bruk annet enn i et innendørs hjemmemiljø, og til andre formål enn rensing av vann til husholdningsbruk, regnes som utilsiktet bruk og ugyldiggjør automatisk Cleone-garantien.

## Vannfiltreringssystem

Cleone-enheten renser vann i tre trinn: forfiltrering, membranfiltrering og etterfiltrering. Renset vann fra Cleone-enheten samles opp i tanken for rensset vann. Når tanken er full, går Cleone-enheten inn i standby-modus. Når nivået i tanken for rensset vann er lavt, åpner Cleone-enheten vanntilførselen og begynner å rense mer vann.

## Vanntilkoblinger

Det er fire vanntilkoblinger på tilkoblingssiden av Cleone-enheten. Hylseringene og slangene har fargekoder.

| Farge   | Tilkobling            | Beskrivelse  |
|---------|-----------------------|--|
| ORANSJE | Tilførselsvann        | Tilførselsvanntilkoblingen forsyner Cleone-enheten med tilførselsvann.                       |
| RØD     | Tappevann             | Tappevann fra Cleone-enheten til avløpsrøret inneholder spylt og avvist kontaminasjon.       |
| GUL     | Tank for rensset vann | Rensset vann samles opp i tanken for rensset vann før det føres til kranen for rensset vann. |
| BLÅ     | Kran for rensset vann | Rensset vann fra Cleone-enheten føres til kranen for rensset vann.                           |

## Intelligent membranspyling

Omvendt osmose-membranen spyles regelmessig med vann når Cleone-enheten er i standby-modus. Membranen spyles også før og etter rensesyklusen. Dette sikrer at rensprosessen alltid starter med ferskt tilførselsvann.

## Vannkvalitetssystem

Rensprosessen blir kontinuerlig overvåket for å sikre at vannkvaliteten er høy. Hvis vannkvaliteten går ned, blinker indikatoren for systemdrift. Hvis problemet vedvarer, stanser Cleone-enheten. Se «Feilsøking».

## System for lekkasjebeskyttelse

En sensor nederst på Cleone-enheten registrerer eventuell vannlekkasje. Hvis en lekkasje oppstår, stoppes vanntilførselen. Cleone-enheten kan ikke startes igjen før lekkasjen er reparert.

NO 

## Teknisk informasjon




For mer detaljert teknisk informasjon, se [www.bluewatergroup.com](http://www.bluewatergroup.com).

| Parameter/modell                         | Cleone Classic            | Cleone Balance            | Cleone Ultra              | Cleone PurityPlus         |
|--|---------------------------|---------------------------|---------------------------|---------------------------|
| Størrelse BxDxH [mm (tommer)]            | 215x380x416 (8.5x15x16.4) | 215x380x416 (8.5x15x16.4) | 215x380x416 (8.5x15x16.4) | 215x380x416 (8.5x15x16.4) |
| Vekt [kg (lbs)]                          | 10.4 (22.9)               | 11 (24.2)                 | 11.4 (25.1)               | 12 (26.5)                 |
| Strømforsyning                           | 95-240V 50-60Hz           | 95-240V 50-60Hz           | 95-240V 50-60Hz           | 95-240V 50-60Hz           |
| Vannmengde av rensset vann [l/dag (GPD)] | 160 (43)                  | 160 (43)                  | 160 (43)                  | 160 (43)                  |

# VEDLIKEHOLD

## Daglig vedlikehold

### Rengjøring av Cleone-enheten

 Bruk ikke kjemikalier til å rengjøre overflaten. Alkohol, bensin, organisk eller uorganisk syre og sterkt basiske kjemikalier (for eksempel konsentrert oppvaskmiddel) forårsaker skade på overflaten.

 Bruk ikke harde, skarpe eller slipende redskaper til å rengjøre Cleone-enheten.

| Trinn | Tiltak   |
|-------|--|
| 1     | Rengjør den utvendige overflaten med en myk, fuktig klut og en mild såpeopløsning for å fjerne støv, flekker og smuss. |
| 2     | Tørk med en myk, tørr klut.  |

### Regelmessig vedlikehold

 Regelmessig vedlikehold er viktig for at apparatet skal fungere som det skal og for lang levetid. Vi anbefaler at vedlikehold og reparasjoner kun utføres av Bluewater-godkjent servicepersonale.

 Hyppigheten av vedlikehold kommer an på tilførselsvannets kvalitet. Hvis tilførselsvannet inneholder høye nivåer av oppløste faste stoffer, skal vedlikehold utføres oftere.

 For instruksjoner om å utføre vedlikehold, se den komplette brukerhåndboken på [www.bluewatergroup.com](http://www.bluewatergroup.com).

| Hyppighet                           | Beskrivelse   |
|-------------------------------------|---|
| 6 måneder                           | *Bytt ut det grove 20-mikrons sedimentfilteret (CL-20).                           |
|                                     | *Bytt ut det fine 5-mikrons sedimentfilteret (CL-5).                              |
|                                     | *Bytt ut forfilteret med aktivert karbon (CL-C).                                  |
|                                     | *Bytt ut det innebygde mineralfilteret.   |
|                                     | Sjekk trykket av tilførselsvannet og utfør en kvalitetskontroll.                  |
| 1 år                                | *Bytt ut etterfilteret med aktivert karbon (CL-Inline-C).                         |
|                                     | Bytt ut UV-lampen.  |
| 3–5 år                              | *Bytt ut omvendt osmose-membranen.  |
| *NB: Hver gang et filter skiftes ut | Spyl nye filtre før bruk. Se spylingsprosedyrene i den komplette brukerhåndboken. |

# FEILSØKING

## Løse enkle problemer



For symptomer som ikke er oppgitt i tabellen nedenfor, eller for problemer av mer alvorlig art, se den komplette brukerhåndboken på [www.bluewatergroup.com](http://www.bluewatergroup.com).

| Symptom   | Årsak  | Løsning  |
|---|--|--|
| Det kommer ikke vann ut av kranen for rensset vann. Indikatorlampen for systemdrift er slukket.   | Cleone-enheten er ikke tilkoblet strøm.  | Koble Cleone-enheten til en stikkontakt og til strømadapteren. Pass på at 24 V DC-kabelen fra strømadapteren er koblet til strømuttaket på Cleone-enheten.                       |
|   | Cleone-enheten er ikke startet.  | Flytt på/av-bryteren til på (posisjon 1).  |
|   | Det er registrert en intern lekkasje. Cleone-enheten har blitt stanset automatisk.                     | Kontakt Bluewater-forhandleren din for å få lekkasjen reparert og systemet tilbakestilt.   |
| Det kommer ikke vann ut av kranen for rensset vann. Indikatorlampen for systemdrift er tent.  | Cleone-enheten er installert for første gang, og systemet har ikke blitt fylt med vann.                | Vent på at systemet skal fylles med vann.  |
|   | Vannslangene er ikke koblet til, eller tilkoblingen er feil utført.                                    | Påse at tilkoblingene utføres riktig.  |
|   | Regelmessig vedlikehold har ikke blitt utført. Forfiltrene er tilstoppet.                              | Kontakt Bluewater-forhandleren din for å få utført vedlikehold på Cleone-enheten.  |
| Det kommer ikke vann ut av kranen for rensset vann. Indikatorlampen for systemdrift blinker svært raskt.<br>(0,1 sek. PÅ, 0,1 sek. AV). | Det er for lavt trykk i vanntilførselen, og systemet for pumpebeskyttelse har stanset vanntilførselen. | Cleone-enheten begynner å fungere som normalt når trykket i vanntilførselen er tilbake. Spyl Cleone-enheten som beskrevet i den komplette brukerhåndboken.                       |
| Det kommer ikke vann ut av kranen for rensset vann. Indikatorlampen for systemdrift blinker raskt<br>(0,5 sek. PÅ, 0,5 sek. AV).        | Cleone-enheten har stoppet fordi vannkvaliteten er lav.  | Kontakt Bluewater-forhandleren din for service.  |
| Det kommer vann ut av kranen for rensset vann. Indikatorlampen for systemdrift blinker raskt<br>(0,5 sek. PÅ, 0,5 sek. AV).             | Vannkvaliteten er redusert.  | Det er trygt å bruke det rensede vannet. Kontakt Bluewater-forhandleren din for mer informasjon.   |
| Indikatorlampen for systemdrift blinker langsomt<br>(2 sek. PÅ, 2 sek. AV).   | Filtrene må skiftes ut.  | Se «Regelmessig vedlikehold» for informasjon om når filtrene skal skiftes ut. Skift ut filtrene og tilbakestill filterindikatoren som beskrevet i den komplette brukerhåndboken. |
| Vannmengden fra kranen for rensset vann er lav.   | Tanken for rensset vann er tom på grunn av høyt vannforbruk.   | Oppgrader til en større tank eller en membran med høy kapasitet.   |
|   | Luftrykket i tanken for rensset vann er lavt.  | Kontakt Bluewater-forhandleren din for å gjenopprette riktig luftrykk i tanken for rensset vann.   |
| For mye kontinuerlig støy under vannrensing.  | Det må utføres vedlikehold på hjelpepumpen.  | Kontakt Bluewater-forhandleren.  |

NO ●

# INDHOLD

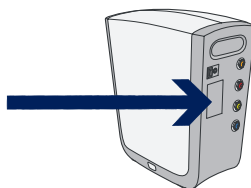
|                                     |            |
|-------------------------------------|------------|
| <b>SIKKERHED</b>                    | <b>117</b> |
| Sikkerhedsforskrifter               | 117        |
| Sikkerhedsoplysninger               | 117        |
| <b>PRODUKTOVERSIGT</b>              | <b>119</b> |
| Cleone set udefra                   | 119        |
| Cleone set indefra                  | 120        |
| <b>SYSTEMOVERSIGT</b>               | <b>121</b> |
| Systembeskrivelse                   | 121        |
| Installation                        | 121        |
| Anvendelsesformål                   | 122        |
| Vandfiltreringssystem               | 122        |
| Intelligent membranskytning         | 122        |
| Vandkvalitetssystem                 | 122        |
| Lækagebeskyttelsessystem            | 122        |
| Tekniske oplysninger                | 122        |
| <b>VEDLIGEHOLDELSE</b>              | <b>123</b> |
| Daglig vedligeholdelse              | 123        |
| Regelmæssig vedligeholdelse         | 123        |
| <b>FEJLFINDING</b>                  | <b>124</b> |
| Sådan løses ukomplicerede problemer | 124        |

## Kundeservice

SSe "Fejlfinding" for at løse mindre problemer, før du ringer til kundeservice.

Hvis du har behov for ekstern service, skal du have følgende data (som du finder bag på vandrenseren) klar, når du ringer til din Bluewater-forhandler:

- Model
- Varenummer
- Serienummer



## Miljøoplysninger



Vandrenseren er mere effektiv, når den rens vand i længere perioder. Eksempel: Det er mere effektivt pr. liter, hvis der fyldes flere liter på i stedet for bare en liter ad gangen.



80 % af vandrenserens komponenter og emballagen er mærket, så du nemmere kan genanvende eller bortskaffe korrekt.



Apparater, der er udstyret med dette symbol, skal bortskaffes på det angivne lokale modtagelsessted til bortskaffelse af elektrisk og elektronisk udstyr.




Dette produkt må ikke bortskaffes sammen med almindeligt husholdningsaffald.

# SIKKERHED

## Sikkerhedsforskrifter

Før du installerer eller bruger enheden, skal du læse sikkerhedsoplysningerne. Følg instruktionerne i denne vejledning for at forhindre personskade eller skader på udstyret. Denne vejledning indeholder FORSIGTIG-symboler og BEMÆRKNINGER, der gælder sikker drift af enheden.


---


 Et FORSIGTIG-symbol angiver forhold, der kan forårsage skader på udstyret. BRUG IKKE Cleone, medmindre alle nedenstående sikkerhedsoplysninger er forstået og opfyldt.


 Et BEMÆRK-symbol angiver oplysninger, der er vigtige i forhold til problemfri og optimal brug af vandrederen.


---

## Safety information

 De udvendige vandslanger må ikke kobles fra, og du må ikke arbejde på dem. Kontakt din Bluewater-forhandler, hvis du skal koble vandslangerne fra. I en nødsituation skal du følge anvisningerne i vores Complete User Manual.

 Dette apparat kan anvendes af børn over 8 år. Det kan også anvendes af personer med nedsatte fysiske, sansemæssige eller mentale evner eller manglende erfaring og viden, hvis de er under opsyn eller er blevet instrueret i sikker brug af apparatet og forstår de farer, det indebærer.

 Du må ikke reparere eller udskifte de indvendige komponenter i Cleone. Hvis du gør det, kan det kan bevirke, at Cleone ikke fungerer korrekt, og det kan gøre det farligt at bruge apparatet.

 Brug kun den originale Bluewater Cleone-strømadapter som strømkilde til Cleone. Det kan være farligt at bruge Cleone, hvis du bruger en anden strømkilde. Det kan også medføre skader på de indvendige dele i Cleone. Anvend ikke ledningen, hvis den har synlige tegn på skader. Hvis forsyningsledningen er beskadiget, skal den udskiftes for at undgå fare.

---

DK ●

---

Vi anbefaler, at installation, service og reparationer på vandreneren kun udføres af godkendte teknikere, forhandlere eller Bluewater-servicemedarbejdere. Hvis dette ikke udføres korrekt, kan det bevirke, at den ikke fungerer korrekt, og det kan medføre personskade eller skader, der ikke er dækket af garantien. Anvend kun originale patroner og reservedele fra Bluewater.



---

Cleone må ikke sættes i vand. Rengør overfladen med en fugtig klud og en svag sæbeopløsning. Undlad at bruge kemikalier til rengøring af Cleones overflade. Sprit, benzin, organiske og uorganiske syrer samt stærkt basiske kemikalier (såsom koncentreret opvaskemiddel) vil forårsage skader på Cleones overflade.



---

Undlad at stille eller opbevare genstande oven på Cleone.



---

Undlad at bruge Cleone med fødevand, som er mikrobiologisk farligt, eller hvor den mikrobiologiske kvalitet ikke er kendt.

---

# PRODUKTOVERSIGT

| Funktioner på modellen   | Cleone Classic | Cleone Balance | Cleone Ultra | Cleone PurityPlus |
|--------------------------|----------------|----------------|--------------|-------------------|
| UV-lampe                 |                |                | ✓            | ✓                 |
| Integreret mineralfilter |                | ✓              |              | ✓                 |

## Cleone set udefra

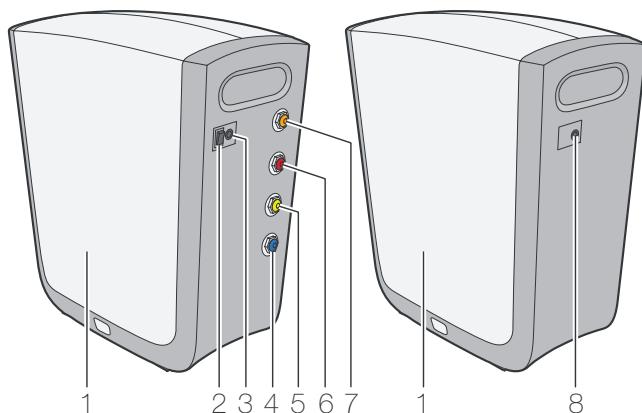


Figure 56. Cleone set udefra

| Pos | Beskrivelse                 | Pos | Beskrivelse                    |
|-----|-----------------------------|-----|--------------------------------|
| 1   | Sidedæksel                  | 5   | Rentvandstankkonnektor – GUL   |
| 2   | Afbryder                    | 6   | Afledningsvandkonnektor – RØD  |
| 3   | Eltilslutning               | 7   | Fødevandkonnektor – ORANGE     |
| 4   | Rentvandshankonnektor – BLÅ | 8   | Indikatorlampe for systemdrift |

## Afbryder

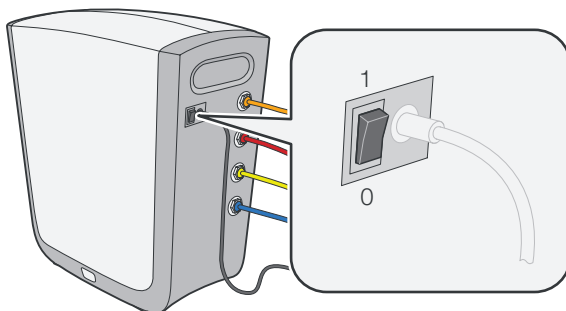


Figure 57. Afbryder

| Position | Beskrivelse   |
|----------|---|
| 1        | Cleone er startet. Der kan renses vand.   |
| 0        | Cleone er stoppet. Der kan ikke renses vand. Der er stadig adgang til rensset vand, indtil tanken er tom. |

DK ●

## Indikatorlampe for systemdrift

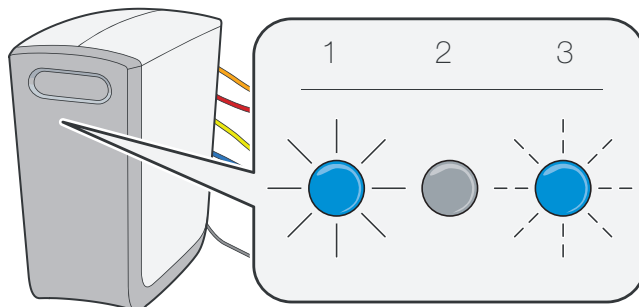





Figure 58. Indikatorlampe for systemdrift

| Pos   | Beskrivelse   |
|---|---|
| 1. Lysindikator TIL      | Cleone fungerer korrekt. Afbryder står på tændt (position "1").                         |
| 2. Lysindikator SLUKKET  | Cleone er slukket. Afbryder står på slukket (position "0").                             |
| 3. Lysindikator blinker  | Der er et problem med Cleone. Se "Fejlfinding", eller kontakt din Bluewater-forhandler. |

## Cleone set indefra

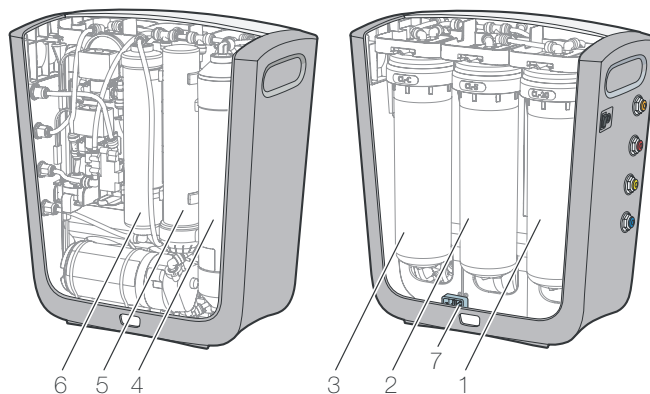


Figure 59. Cleone set indefra

| Pos | Beskrivelse                             | Pos | Beskrivelse   |
|-----|---|-----|---|
| 1   | Groft, 20 mikron sedimentfilter (CL-20) | 5   | Aktiveret carbonfilter (CL-Inline-C) (Classic, Balance, PurityPlus)<br>Ultra)UV lampe               |
| 2   | Fint, 5 mikron sedimentfilter (CL-5)    | 6   | UV lampe (Ultra)<br>Integreret mineralfilter (Balance, PurityPlus)<br>Positionen er tom for Classic |
| 3   | Aktiveret carbonfilter (CL-C)           | 7   | Lækagebeskyttelsessystemafbryder  |
| 4   | Omvendt osmose-membran                  |     |   |



# SYSTEMOVERSIGT

## Systembeskrivelse

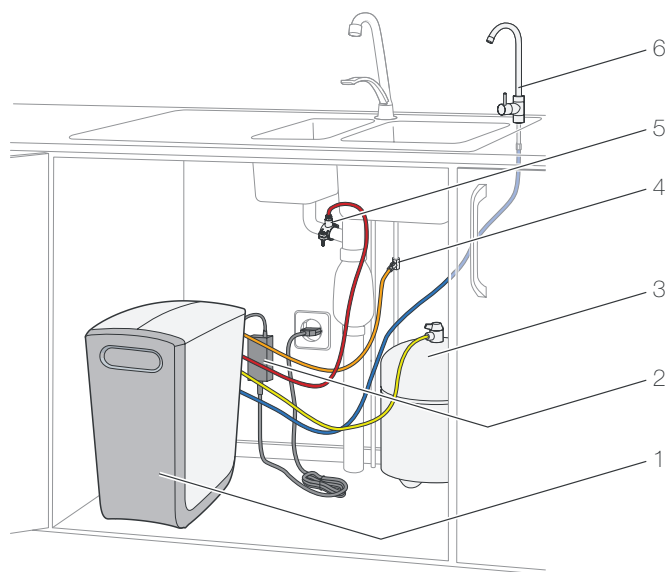


Figure 60. Systembeskrivelse

| Pos | Beskrivelse       | Pos | Beskrivelse           |
|-----|-------------------|-----|-----------------------|
| 1   | Cleone-vandrenser | 4   | Fødevandstilslutning  |
| 2   | Strømadapter      | 5   | Afløbsvandtilslutning |
| 3   | Rentvandstank     | 6   | Rentvandshane         |

## Installation



Ved installation i USA kræves der særlige instruktioner. Se Complete User Manual.



Vi anbefaler, at Cleone installeres af en fagperson, som anbefales af en autoriseret Bluewater-forhandler. Installationsanvisningen findes på [www.bluewatergroup.com](http://www.bluewatergroup.com).

DK

## Anvendelsesformål

Cleone er en vandrenser til hjemmebrug. Den må ikke anvendes til andre formål. Enhver anden brug end indendørs hjemmebrug og til andre formål end rensning af vand til husholdningsbrug betragtes som liggende uden for anvendelsesformålet og ophæver straks din garanti på Cleone.

## Vandfiltreringssystem

Cleone rens vand i tre trin: forfiltrering, membranfiltrering og efterfiltrering. Renset vand fra Cleone opsamles i rentvandstanken. Når tanken er fuld, går Cleone på standby. Når rentvandstanken er ved at være tom, åbner Cleone for fødevandstilførslen og begynder at rense mere vand.

## Kontrollér tilslutninger

Der er fire vandkonnektorer på Cleones tilslutningsside. Spænderingene og slangerne er farvekodet.

| Farve  | Tilslutning    | Beskrivelse   |
|--------|----------------|---|
| ORANGE | Fødevand       | Fødevandstilslutningen tilfører vand til Cleone.                                    |
| RØD    | Afledningsvand | Afledningsvand fra Cleone til afløbsrør indeholder skyllet og afvist kontaminering. |
| GUL    | Rentvandstank  | Renset vand opsamles i rentvandstanken, før den føres til rentvandshanen.           |
| BLÅ    | Rentvandshane  | Renset vand fra Cleone føres til rentvandshanen.                                    |

## Intelligent membranskylning

Omvendt osmose-membranen skylles jævnlige med vand, når Cleone er på standby. Membranen skylles også før og efter rensedyklusen. Det sikrer, at rensedyklusen starter med frisk fødevand.

## Vandkvalitetssystem

Rensedyklusen overvåges løbende for at sikre, at vandkvaliteten er høj. Hvis vandkvaliteten falder, blinker indikatoren for systemdrift. Cleone stopper, hvis problemet fortsætter. Se "Fejlfinding".

## Lækagebeskyttelsessystem

En føler i bunden af Cleone registrerer vandlækager. Hvis der er en lækage, standses fødevandsforsyningen. Cleone kan ikke startes igen, før lækagen er repareret.

## Tekniske oplysninger




Se mere detaljerede tekniske oplysninger på [www.bluewatergroup.com](http://www.bluewatergroup.com).

| Parameter/model                           | Cleone Classic            | Cleone Balance            | Cleone Ultra              | Cleone PurityPlus         |
|---|---------------------------|---------------------------|---------------------------|---------------------------|
| Størrelse BxDxH [mm (")]                  | 215x380x416 (8.5x15x16.4) | 215x380x416 (8.5x15x16.4) | 215x380x416 (8.5x15x16.4) | 215x380x416 (8.5x15x16.4) |
| Vægt [kg (lbs)]                           | 10.4 (22.9)               | 11 (24.2)                 | 11.4 (25.1)               | 12 (26.5)                 |
| Strømforsyning                            | 95-240V 50-60Hz           | 95-240V 50-60Hz           | 95-240V 50-60Hz           | 95-240V 50-60Hz           |
| Flowhastighed for rent vand [l/dag (GPD)] | 160 (43)                  | 160 (43)                  | 160 (43)                  | 160 (43)                  |

# VEDLIGEHOJDELSE

## Daglig vedligeholdelse


### Rengøring af Cleone


 Undlad at bruge kemikalier til rengøring af overfladen. Sprit, benzin, organiske og uorganiske syrer samt stærkt basiske kemikalier (såsom koncentreret opvaskemiddel) vil forårsage skader på overfladen.

 Undlad at bruge hårde, skarpe eller slibende genstande til rengøring af Cleone.

| Trin | Handling  |
|------|---|
| 1    | Rengør den udvendige overflade med en blød, fugtig klud og en svag sæbeopløsning for at fjerne støv, pletter og snavs |
| 2    | Tør med en blød, tør klud.  |

### Regelmæssig vedligeholdelse

 Regelmæssig vedligeholdelse er vigtig for at opretholde korrekt funktion og lang levetid. Vi anbefaler, at kun Bluewater-godkendt servicepersonale udfører vedligeholdelse og reparationer.

 Fødevandskvaliteten styrer vedligeholdelseshyppigheden. Hvis fødevandet har høje niveauer af opløste faste partikler (TDS), skal rensen vedligeholdes oftere.

 For anvisninger vedrørende vedligeholdelse henvises der til vores Complete User manual på [www.bluewatergroup.com](http://www.bluewatergroup.com).

| Hypighed                               | Beskrivelse   |
|--|---|
| 6 måneder                              | *Udskift groft, 20 mikron sedimentfilter (CL-20).                     |
|  | *Udskift fint, 5 mikron sedimentfilter (CL-5).                        |
|  | *Udskift aktiveret carbonfilter (CL-C).                               |
|  | *Udskift integreret mineralfilter.                                    |
|  | Kontrollér fødevandstryk og -kvalitet.                                |
| 1 år                                   | *Udskift aktiveret carbonfilter (CL-Inline-C).                        |
|  | Udskift UV-lampen.  |
| 3-5 år                                 | *Udskift omvendt osmose-membran.                                      |
| *BEMÆRK: Hver gang et filter udskiftes | Skyl nye filtre før brug. Se skylleprocedurer i Complete User Manual. |

DK ●

# FEJLFINDING

## Sådan løses ukomplicerede problemer



Ved symptomer, som ikke findes i nedenstående tabel, eller ved mere alvorlige problemer henvises der til vores Complete User manual på [www.bluewatergroup.com](http://www.bluewatergroup.com).

| Symptom  | Årsag   | Løsning  |
|--|---|--|
| Der kommer ikke noget vand fra rentvandshanen. Indikatorlampe for systemdrift er slukket.  | Cleone er ikke tilsluttet strøm.  | Slut Cleone til en stikkontakt og til strømadapteren. Sørg for, at 24 V DC-kablet fra strømadapteren er sluttet til elstikket på Cleone.                                   |
|  | Cleone er ikke startet.   | Flyt afbryderen til positionen tændt (position "1").   |
|  | Der er påvist en intern lækage. Cleone er automatisk stoppet.                               | Kontakt din Bluewater-forhandler for at få repareret lækagen og nulstillet systemet.   |
| Der kommer ikke noget vand fra rentvandshanen. Indikatorlampe for systemdrift er tændt.  | Cleone er installeret for første gang, og systemet er ikke fyldt med vand.                  | Vent, indtil systemet er fyldt med vand.   |
|  | Vandslangerne er ikke tilsluttet, eller de er tilsluttet forkert.                           | Sørg for, at tilslutningerne er korrekte.  |
|  | Regelmæssig vedligeholdelse er ikke udført. Forfiltre er tilstoppet.                        | Kontakt din Bluewater-forhandler for at udføre vedligeholdelse på Cleone.  |
| Der kommer ikke noget vand fra rentvandshanen. Indikatorlampe for systemdrift blinker meget hurtigt. (0,1 sek. TÆNDT, 0,1 sek. SLUKKET). | Fødevandstrykket er for lavt, og pumpebeskyttelsessystemet har stoppet fødevandstilførslen. | Cleone begynder at arbejde som normalt, når fødevandstrykket kommer tilbage. Skyl Cleone som beskrevet i Complete User Manual.   |
| Der kommer ikke noget vand fra rentvandshanen. Indikatorlampen for systemdrift blinker hurtigt (0,5 sek. TÆNDT, 0,5 sek. SLUKKET).       | Cleone er stoppet, fordi vandkvaliteten er lav.   | Kontakt din Bluewater-forhandler for service.  |
| Der kommer vand fra rentvandshanen. Indikatorlampen for systemdrift blinker hurtigt (0,5 sek. TÆNDT, 0,5 sek. SLUKKET).                  | Vandkvaliteten er faldet.   | Det er sikkert at bruge det rensede vand. Kontakt din Bluewater-forhandler for yderligere oplysninger.   |
| Indikatorlampen for systemdrift blinker hurtigt (2 sek. TÆNDT, 2 sek. SLUKKET).  | Filtrene skal udskiftes.  | Se "Regelmæssig vedligeholdelse" for oplysninger om, hvornår filtrene skal udskiftes. Udskift filtrene, og nulstil filterindikatoren som beskrevet i Complete User Manual. |
| Flowhastigheden fra rentvandshanen er lav.   | Rentvandstanken er tom på grund af højt vandforbrug.  | Opgrader til en større tank eller en højkapacitetsmembran.   |
|  | Lufttrykket i rentvandstanken er lavt.  | Kontakt din Bluewater-forhandler for at genoprette lufttrykket i rentvandstanken.  |
| For meget kontinuerlig støj under vandrensning.  | Det er nødvendigt at udføre vedligeholdelse på boosterpumpen.                               | Kontakt din Bluewater-forhandler.  |

# 目录

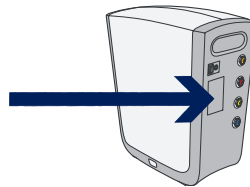
|             |            |
|-------------|------------|
| <b>安全</b>   | <b>125</b> |
| 安全说明        | 125        |
| 安全信息        | 125        |
| <b>产品概述</b> | <b>126</b> |
| Cleone 外部   | 126        |
| Cleone 内部   | 127        |
| <b>系统概述</b> | <b>128</b> |
| 系统描述        | 128        |
| 安装          | 128        |
| 预期用途        | 129        |
| 水过滤系统       | 129        |
| 智能膜冲洗       | 129        |
| 水质系统        | 129        |
| 防漏系统        | 129        |
| 技术信息        | 129        |
| <b>维护</b>   | <b>130</b> |
| 日常维护        | 130        |
| 定期维护        | 130        |
| <b>故障排除</b> | <b>131</b> |
| 如何解决简单问题    | 131        |

## 客户服务

在致电联系服务支持前，请参阅“故障排除”以解决小问题。

如果您需要服务支持，请务必在致电 Bluewater 经销商时准备好以下数据（位于净水器背面）：

- 型号
- 产品编号
- 序列号



## 环境信息



净水时间越长，净水器效率越高。

例如：就每升净水效率而言，一次装几升比只装一升的效率更高。



80% 的净水器组件及其包装都带标签，有助于正确回收和弃置。



带有此标志的装置必须送至当地指定的电器和电子设备回收站。

本品不可按照一般家庭垃圾处理流程处置。

ZH ●

# 安全

## 安全说明

在安装或操作设备之前，必须阅读安全信息。遵守本手册中的说明以防人身伤害或设备损坏。本手册包含“小心”和“注意”符号，适用于安全操作设备。



“小心”符号指示可导致人身伤害或设备损坏的情况。除非了解并符合下列所有需要小心的情况，否则不得使用 Cleone。



“注意”符号指示 Cleone 无故障运行和最佳使用条件的重要信息。

## 安全信息



请勿断开外部水管，也不要对其进行操作。如果必须断开水管，请联系您的 Bluewater 经销商。在紧急情况下，请按照完整用户手册中的说明进行操作。



本装置可由 8 岁以上儿童使用。对于肢体不健全、感觉或精神有障碍或缺乏经验和知识的人，如果有人监督或指示他们安全使用本装置并让他们了解相关危险，也可使用本装置。



请勿修理或更改 Cleone 的内部组件。这会使 Cleone 运行不正确，或者使用时有危险。



仅使用原装 Bluewater Cleone 电源适配器作为 Cleone 的电源。使用不同的电源适配器会使 Cleone 使用时有危险。它还可能损坏 Cleone 的内部部件。如果电源线上有明显的损坏迹象，请勿使用。如果电源线损坏，请更换以防止危险。



我们建议仅由经批准的技术人员、经销商或 Bluewater 服务人员  
对净水器进行安装、维护和维修。如果处置未充分，这可导致净水器无法正常工作，造成伤害和不在保修范围内的损坏。只使用 Bluewater 原装替换滤芯和零件。



请勿将 Cleone 放入水中。用湿布和弱肥皂溶液清洁表面。请勿使用化学品清洁 Cleone 的表面。酒精、汽油、有机和无机酸、强碱性化学品（如浓缩洗洁精）会对 Cleone 表面造成损坏。



请勿在 Cleone 上放置物品。



请勿给 Cleone 提供具有微生物危险或微生物属性未知的进水水源。

# 产品概述

| 型号特点    | Cleone Classic | Cleone Balance | Cleone Ultra | Cleone PurityPlus |
|---------|----------------|----------------|--------------|-------------------|
| 紫外线灯    |                |                | ✓            | ✓                 |
| 集成矿物过滤器 |                | ✓              |              | ✓                 |

## Cleone 外部

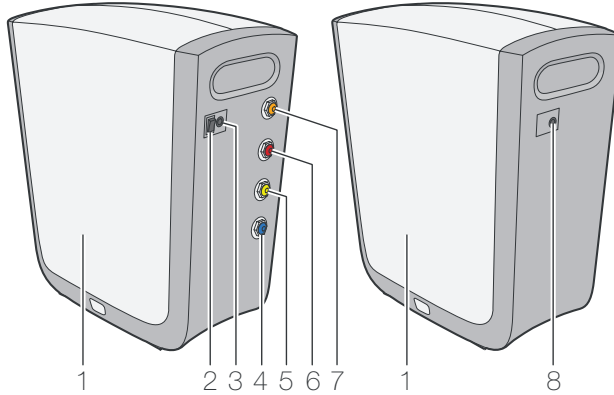


图 1. Cleone 外部

| 位置 | 说明          | 位置 | 说明         |
|----|-------------|----|------------|
| 1  | 侧盖          | 5  | 净水箱接口 - 黄色 |
| 2  | 电源开关        | 6  | 废水接口 - 红色  |
| 3  | 电气连接        | 7  | 进水接口 - 橙色  |
| 4  | 净水龙头接口 - 蓝色 | 8  | 系统运行指示灯    |

## 电源开关

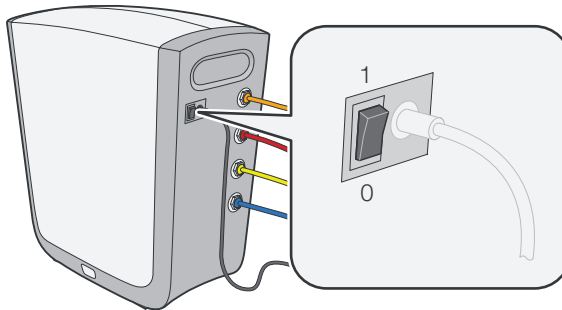


图 2. 电源开关

| 位置 | 说明                                 |
|----|------------------------------------|
| 1  | Cleone 启动。可以净化水。                   |
| 0  | Cleone 停机。没有净化水。可使用水箱中的纯净水，直到水箱为空。 |

ZH ●

## 系统运行指示灯

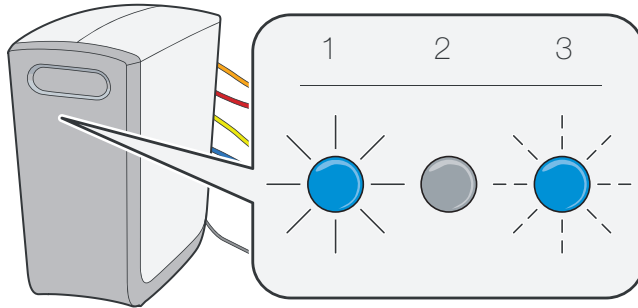


图 3. 系统运行指示灯

| 位置    | 说明   |
|-------|--|
| 1. 灯亮 | ● Cleone 运行正常。电源开关打开 (位置“1”)。  |
| 2. 灯灭 | ● Cleone 电源关闭。电源开关关闭 (位置“0”)。<br>如果电源开关打开 (位置“1”), 但指示灯熄灭, 请参阅“故障排除”或联系您的 Bluewater 经销商。 |
| 3. 灯闪 | ☀ Cleone 有故障。请参阅“故障排除”或联系您的 Bluewater 经销商。   |

## Cleone 内部

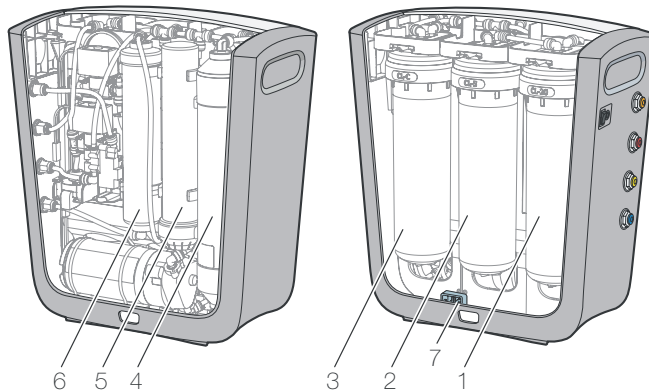


图 4. Cleone 内部

| 位置 | 说明                   | 位置 | 说明   |
|----|----------------------|----|--|
| 1  | 20 微米粗砂前置过滤器 (CL-20) | 5  | 活性炭后置过滤器 (CL-Inline-C)<br>紫外灯<br>(Classic, Balance, Ultra)<br>(PurityPlus) |
| 2  | 5 微米细砂前置过滤器 (CL-5)   | 6  | 紫外灯<br>集成矿物过滤器<br>Classic 的该位置为空<br>(Ultra)<br>(Balance, PurityPlus)       |
| 3  | 活性炭前置滤器 (CL-C)       | 7  | 防漏系统开关   |
| 4  | 反渗透膜                 |    |  |



# 系统概述

## 系统描述

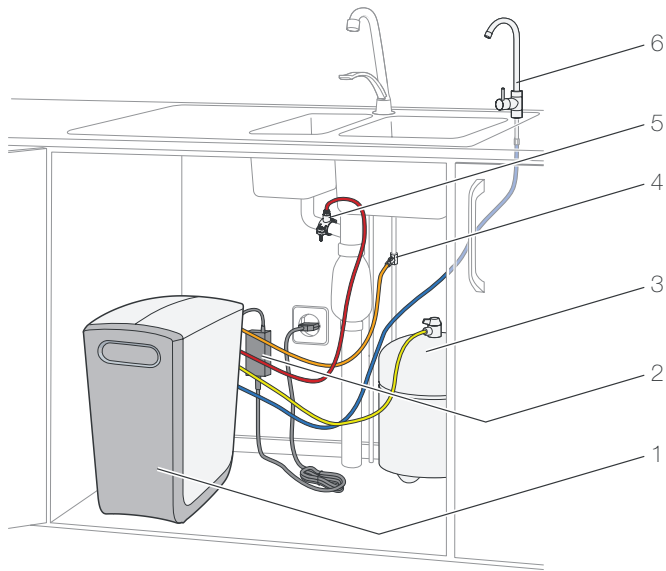


图 5. 系统概述

| 位置 | 说明               | 位置 | 说明   |
|----|------------------|----|------|
| 1  | Cleone water 净水器 | 4  | 进水接口 |
| 2  | 电源适配器            | 5  | 废水接口 |
| 3  | 净水箱              | 6  | 净水龙头 |

## 安装

 在美国安装时，需要遵循特别说明。请参阅完整用户手册。

 我们建议由 Bluewater 授权经销商推荐的专业人员安装 Cleone。安装说明可在 [www.bluewatergroup.com](http://www.bluewatergroup.com) 上找到。

## 预期用途

Cleone 是一款家用净水器。请勿将其用于任何其他用途。除室内家庭环境外的任何使用以及用于家庭净化水以外的其他用途均被视为非预期使用，将自动使您的 Cleone 保修失效。

## 水过滤系统

Cleone 通过三个步骤净化水：前置过滤、膜过滤和后置过滤。来自 Cleone 的纯净水收集在纯净水箱中。当水箱装满时，Cleone 进入待机模式。当净水箱水位低时，Cleone 打开进水并开始净化更多水。

## 水路连接

Cleone 的连接侧有四个水接口。套圈环和管路有颜色代码。

| 颜色 | 接口   | 说明                             |
|----|------|--------------------------------|
| 橙色 | 进水   | 进水接口向 Cleone 供应进水。             |
| 红色 | 废水   | 从 Cleone 到废水管的废水中含有冲洗出来的废弃污染物。 |
| 黄色 | 净水箱  | 净化水在送到净水龙头之前收集在净水箱中。           |
| 蓝色 | 净水龙头 | 来自 Cleone 的纯净水送到净水龙头。          |

## 智能膜冲洗

当 Cleone 处于待机模式时，反渗透膜会定期用水冲洗。膜也在纯化循环之前和之后接受冲洗。这确保净化过程始终使用新鲜供水。

## 水质系统

持续监测净化过程以确保水质较高。如果水质下降，系统运行指示灯会闪烁。如果问题仍然存在，Cleone 将停止。请参阅“故障排除”。

## 防漏系统

Cleone 底部的传感器可感应漏水。如果有泄漏，则停止进水。在修复泄漏之前，无法再次启动 Cleone。

## 技术信息



如需更详细的技术信息，请访问 [www.bluewatergroup.com](http://www.bluewatergroup.com)。

| 参数/型号             | Cleone Classic            | Cleone Balance            | Cleone Ultra              | Cleone PurityPlus         |
|-------------------|---------------------------|---------------------------|---------------------------|---------------------------|
| 尺寸 宽×深×高 [mm(英寸)] | 215×380×416 (8.5×15×16.4) | 215×380×416 (8.5×15×16.4) | 215×380×416 (8.5×15×16.4) | 215×380×416 (8.5×15×16.4) |
| 重量 [公斤(磅)]        | 10.4 (22.9)               | 11 (24.2)                 | 11.4 (25.1)               | 12 (26.5)                 |
| 电源                | 95-240V 50-60Hz           | 95-240V 50-60Hz           | 95-240V 50-60Hz           | 95-240V 50-60Hz           |
| 净化水流量 [l/天 (GPD)] | 160 (43)                  | 160 (43)                  | 160 (43)                  | 160 (43)                  |

# 维护

## 日常维护

### 清洁 Cleone



请勿使用化学品清洁表面。酒精、汽油、有机和无机酸、强碱性化学品(如浓缩洗洁精)会对表面造成损坏。



请勿使用坚硬、锋利或研磨工具清洁 Cleone。

| 步骤 | 操作                          |
|----|-----------------------------|
| 1  | 使用湿润的软布和弱肥皂溶液清洁外表面以去除尘垢和污迹。 |
| 2  | 使用干燥的软布擦干。                  |

## 定期维护



定期维护对于正常工作和长期运行至关重要。建议仅由 Bluewater 批准的维修人员执行维护和修理。



进水水质控制维护频率。如果进水中含有大量溶解固体,则应提高维护频率。



有关如何进行维护的说明,请参阅 [www.bluewatergroup.com](http://www.bluewatergroup.com) 上的完整用户手册。

| 频率          | 说明                         |
|-------------|----------------------------|
| 6 个月        | *更换 20 微米粗砂前置过滤器 (CL-20)。  |
|             | *更换 5 微米细砂前置过滤器 (CL-5)。    |
|             | *更换活性炭前置过滤器 (CL-C)。        |
|             | *更换集成矿物过滤器。                |
|             | 进行进水压力和质量检查。               |
| 1 年         | *更换活性炭后置过滤器 (CL-Inline-C)。 |
|             | 更换紫外灯。                     |
| 3-5 年       | *更换反渗透膜。                   |
| *注意:每次更换过滤器 | 使用前冲洗新过滤器。请参阅完整用户手册中的冲洗程序。 |

# 故障排除

## 如何解决简单问题



对于下表中未发现的症状或更严重的问题, 请参阅 [www.bluewatergroup.com](http://www.bluewatergroup.com) 上的完整用户手册。

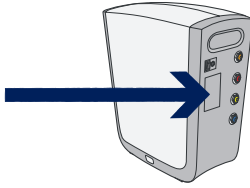
| 症状                                      | 原因                    | 解决方法  |
|---|-----------------------|---|
| 净化水龙头没有出水。系统运行指示灯熄灭。                    | Cleone 未连接电源。         | 将 Cleone 连接到电源插座和电源适配器。确保电源适配器的 24V DC 电缆连接到 Cleone 上的电源插座。 |
|   | Cleone 未启动。           | 将电源开关移至打开(位置“1”)。   |
|   | 检测到内部泄漏。Cleone 已自动停止。 | 请联系您的 Bluewater 经销商以修复泄漏并重置系统。                              |
| 净化水龙头没有出水。系统运行指示灯点亮。                    | 首次安装 Cleone, 系统未注水。   | 等待系统充满水。  |
|   | 水管未接好, 或接错。           | 确保连接正确。   |
|   | 没有进行定期维护。前置过滤器堵塞。     | 请联系您的 Bluewater 经销商对 Cleone 进行维护。                           |
| 净化水龙头没有出水。系统运行指示灯快速闪烁。(0.1 秒开, 0.1 秒灭)。 | 进水压力过低, 泵保护系统已停止进水。   | 当进水压力恢复时, Cleone 将开始正常运行。按照完整用户手册中的说明冲洗 Cleone。             |
| 净化水龙头没有出水。系统运行指示灯快速闪烁(0.5 秒亮, 0.5 秒灭)。  | Cleone 已停止, 因为水质较差。   | 请联系您的 Bluewater 经销商寻求服务。                                    |
| 净化水龙头有水流出。系统运行指示灯快速闪烁(0.5 秒亮, 0.5 秒灭)。  | 水质有所下降。               | 使用纯净水较为安全。有关详细信息, 请联系您的 Bluewater 经销商。                      |
| 系统运行指示灯缓慢闪烁(2 秒亮, 2 秒灭)。                | 必须更换过滤器。              | 有关何时更换过滤器的信息, 请参阅“定期维护”。按照完整用户手册中的说明更换过滤器并重置过滤器指示器。         |
| 净化水龙头的流量较低。                             | 由于耗水量大, 净化水箱为空。       | 升级采用更大的罐或高容量膜。  |
|   | 净水箱内气压低。              | 请联系您的 Bluewater 经销商以恢复净水箱中的正确气压。                            |
| 净水过程中连续噪音太大。                            | 必须对增压泵进行维护。           | 请联系您的 Bluewater 经销商。  |

## المحتويات

|     |                          |
|-----|--------------------------|
| 134 | السلامة                  |
| 134 | إرشادات السلامة          |
| 134 | معلومات عن السلامة       |
| 135 | لمحة عن المنتج           |
| 135 | الكليون من الخارج        |
| 136 | الكليون من الداخل        |
| 137 | نبذة عن النظام           |
| 137 | وصف النظام               |
| 137 | التركيب                  |
| 138 | الاستخدام المتوخى        |
| 138 | نظام ترشيح المياه        |
| 138 | شطف الغشاء الذكي         |
| 138 | نظام جودة المياه         |
| 138 | نظام الحماية من التسرب   |
| 138 | معلومات فنية             |
| 139 | الصيانة                  |
| 139 | الصيانة اليومية          |
| 139 | الصيانة المنتظمة         |
| 140 | حل المشاكل               |
| 140 | كيفية حل المشاكل البسيطة |

## خدمة الزبائن

انظر إلى قسم "حل المشاكل" لحل المشاكل البسيطة قبل استدعاء دعم الخدمة.  
إن كنت بحاجة لدعم الخدمة فتأكد من توفر البيانات الآتية (موجودة على خلف الجهاز) عند اتصالك بتاجر بلو ووتر الخاص بك:



- النموذج
- رقم المنتج
- الرقم التسلسلي

## المعلومات البيئية



يكون منقي المياه أكثر فعالية عندما ينقي المياه لمدة أطول. مثلاً: يكون تعبئته بالعديد من الليترات أكثر فعالية بالنسبة لليتر الواحد مقارنةً بتعبئته بليتر واحد فقط في كل مرة.



إن 80% من عناصر منقي المياه وأغلفته مسماة لمساعدتك لإعادة التدوير والتخلص منها بالشكل السليم.



يجب ترك الأجهزة الحاملة لهذا الرمز في أمكنة الاستقبال المحددة للتخلص من المعدات الكهربائية والإلكترونية. لا يُسمح بالتخلص من هذا المنتج باستخدام تدابير التخلص من النفايات المنزلية الاعتيادية.

AR

# السلامة

## إرشادات السلامة

قبل أن تتركب أو تشغل هذا الجهاز، عليك قراءة معلومات السلامة. اتبع الإرشادات الموجودة في الكتيب لمنع الأذى أو تضرر الجهاز. يحتوي الكتيب على تحذيرات وملاحظات تنطبق على الاستخدام الآمن للجهاز.



يعرّف رمز التحذير حالات يمكنها أن تسبب الأذى أو أن تسبب ضرر للأدوات.  
لا تستخدموا جهاز الكلورون إلا إذا تم فهم واستيفاء كل الحالات الاحتياطية المدرجة أدناه.



يعرّف رمز الملاحظة معلومات مهمة للاستخدام الأمثل والخالي من المشاكل لمنقي المياه كلورون.

## معلومات السلامة



لا تقوموا بفصل أنابيب الماء الخارجية ولا تعملوا بها. اتصلوا بوكيل بلو ووتر الخاص بكم في حال احتياجكم لفصل أنابيب الماء. في الحالات الطارئة، اتبعوا الإرشادات الموجودة في كتيب المستخدم الكامل.



يُسمح للأطفال ما فوق سن الثامنة باستخدام هذا الجهاز. كما يمكن استخدامه من قبل أشخاص ذو نقص في القدرات البدنية والحسية أو النفسية أو ذو خبرة أو معرفة منخفضة في حال الإشراف عليهم أو إعطائهم إرشادات حول استخدام الجهاز بطريقة آمنة وبعد فهمهم للمخاطر المرتبطة به.



لا تقوموا بتوصيل أو تغيير العناصر الداخلية لجهاز كلورون لأن ذلك سيؤدي لعمل كلورون بطريقة غير صحيحة أو قد يجعل استخدام الجهاز خطيراً.



استخدموا فقط محول الكهرباء الأصلي لجهاز بلو ووتر كلورون كمصدر للكهرباء لجهاز كلورون. من الممكن أن استخدام محول كهرباء مختلف يجعل استخدام الكلورون خطيراً. كما قد يسبب الضرر للأجزاء الداخلية للكلورون. لا تستخدموا شريط الكهرباء في حال تواجد علامات مرئية للتلف عليه. في حال كون شريط الكهرباء تالفاً، قوموا باستبداله لمنع حدوث الخطر.



نوصي بتثبيت وخدمة وإصلاح منقي المياه من قبل فنيون أو موزعون أو طاقم خدمة من بلو ووتر المعتمدون فقط. إن لم يتم ذلك بشكل ملائم فقد يؤدي ذلك إلى خلل في التشغيل مما يؤدي إلى ضرر وأذى غير مشمولين في الضمان. استخدموا فقط قطع الغيار والخراطيش الأصلية من بلو ووتر.



لا تضعوا الكلورون في الماء. امسحوا السطح باستخدام قطعة قماش مبللة ومحلول ضعيف من الصابون. لا تستخدموا الكيماويات لتنظيف سطح الكلورون. يسبب الكحول والبيترول والحموض العضوية واللاعضوية والكيماويات الأساسية القوية (مثل صابون الجلي المركّز) ضرراً لسطح الكلورون.



لا تضعوا أشياء على سطح الكلورون.

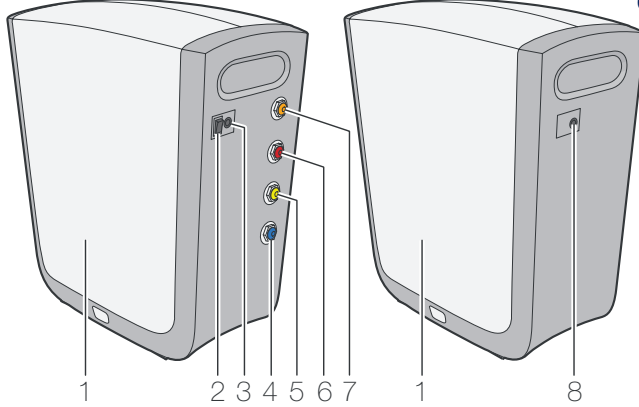


لا تستخدموا الكلورون مع ماء داخل خضير من الناحية الجرثومية أو عندما تكون جودة المياه من الناحية الجرثومية مجهولة.

## لمحة عن المنتج

| مميزات النموذج          | كليون كلاسيك | كليون بالانس | كليون الترا | كليون بيوراني بلس |
|-------------------------|--------------|--------------|-------------|-------------------|
| لمبة أشعة فوق البنفسجية |              |              | ✓           | ✓                 |
| مرشحة معادن ضمنية       |              | ✓            |             | ✓                 |

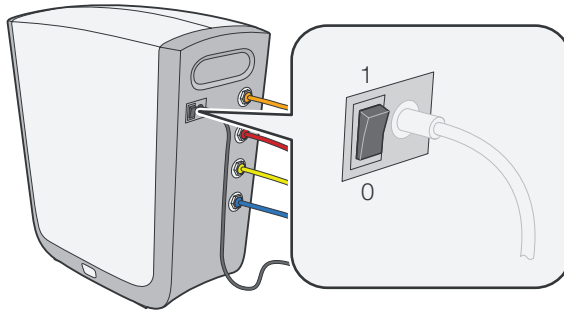
## كليون من الخارج



الشكل 1. كليون من الخارج

| ال موقع | ال وصف                         | ال موقع | ال وصف                        |
|---------|--------------------------------|---------|-------------------------------|
| 1       | الغطاء الجانبي                 | 5       | وصلة خزان الماء المنقى - أصفر |
| 2       | زر الكهرباء                    | 6       | وصلة ماء الصرف - أحمر         |
| 3       | وصلة كهرباء                    | 7       | وصلة الماء الداخل - برتقالي   |
| 4       | وصلة صنوبر الماء المنقى - أزرق | 8       | ضوء مؤشر عمل النظام           |

## زر الكهرباء

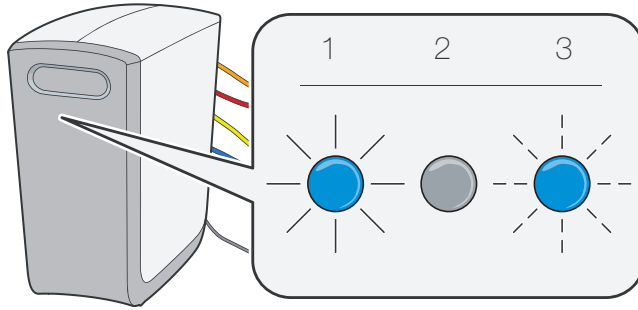


الشكل 2. زر الكهرباء

| الموقع | الوصف  |
|--------|--|
| 1      | بدأ جهاز الكليون. يمكن تنقية الماء   |
| 0      | توقف الكليون. لا تتم تنقية المياه. لا يزال الماء المنقى متوفراً إلى حين خلو الخزان من الماء. |

AR

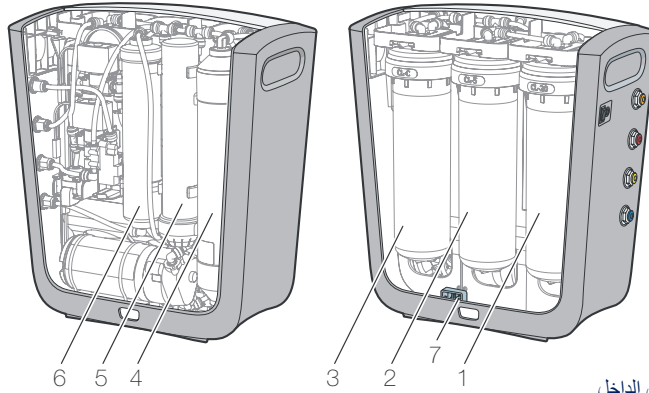
## مؤشر عمل النظام



الشكل 3. مؤشر عمل النظام

| الموقع | الوصف   |
|--------|---|
| ●      | يعمل الكلبيون بشكل صحيح. زر التشغيل مشتعل (الوضع 1)   |
| ●      | الكلبيون مطفاً. زر التشغيل مطفاً (الوضع 0)  |
| ●      | في حال كون زر التشغيل مشتعل (الوضع 1) ولكن ضوء المؤشر مطفاً، انظروا في قسم حل المشاكل أو اتصلوا بوكيل بلو ووتر الخاص بكم. |
| ☀      | توجد مشكلة في الكلبيون. انظروا في قسم حل المشاكل أو اتصلوا بوكيل بلو ووتر الخاص بكم.                                      |

## الكلبيون من الداخل

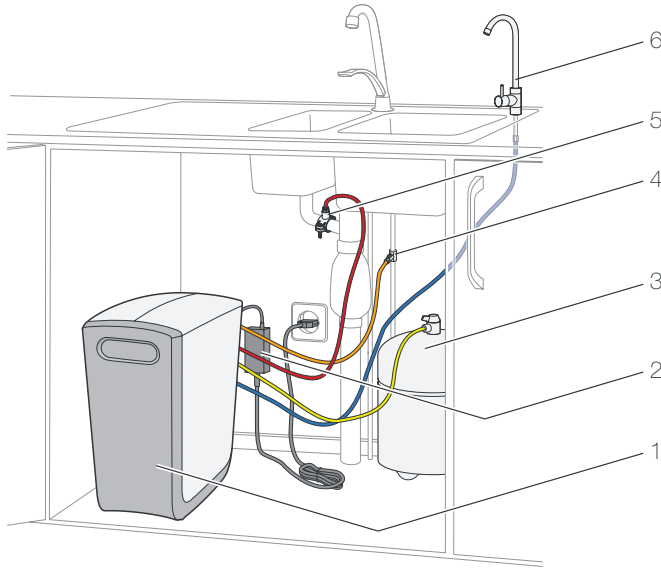


الشكل 4. الكلبيون من الداخل

| الموقع | الوصف  | الموقع | الوصف   |
|--------|--|--------|---|
| 1      | مرشحة مبدئية للرواسب الخشنة، 20 ميكرون (CL-20) | 5      | مرشحة لاحقة من الكربون الفعال (CL-Inline_C) (الترا) لمية الأشعة فوق البنفسجية         |
| 2      | مرشحة مبدئية للرواسب الناعمة، 5 ميكرون (CL-5)  | 6      | لمية الأشعة فوق البنفسجية مرشحة معادن ضمنية (بالاس) هذا الموضع متروك خالي في الكلاسيك |
| 3      | مرشحة مبدئية من الكربون الفعال (CL-C)          | 7      | زر نظام الحماية من التسرب   |
| 4      | غشاء التناضح العكسي                            |        |   |



## نبذة عن النظام وصف النظام



الشكل 5. نبذة عن النظام

| الموقع | الوصف             | الموقع | الوصف                     |
|--------|-------------------|--------|---------------------------|
| 1      | منقي المياه كلبون | 4      | وصلة إمدادات الماء الداخل |
| 2      | محول الكهرباء     | 5      | وصلة ماء الصرف            |
| 3      | خزان الماء المنقى | 6      | صنوبر الماء المنقى        |

### التركيب



للتركيب في الولايات المتحدة الأمريكية، تحتاجون لتعليمات خاصة. الرجاء النظر في كتيب المستخدم الكامل.



ننصح بأن يتم تركيب الكلبون بواسطة محترف تمت تربيته من قبل الموزع الرسمي لبلو ووتر. يمكن إيجاد التعليمات على الموقع التالي

[www.bluewatergroup.com](http://www.bluewatergroup.com)

## الاستخدام المتوخى

جهاز الكلورين هو منقي مياه للاستخدام المنزلي. لا تستخدموه لأغراض أخرى. يُعتبر استخدامه لأغراض أخرى غير الاستخدام في بيئة داخل المنازل ولأغراض تختلف عن تنقية المياه للمنزل بأنه استخدام غير المتوخى وبذلك تصبح ضمانته جهاز الكلورين الخاص بك باطلة.

## نظام ترشيح المياه

ينقي الكلورين الماء على 3 مراحل: التنقية المبدئية وتنقية غشائية وتنقية لاحقة. يتم جمع الماء المنقى عبر الكلورين في خزان الماء المنقى. وعندما يصبح الخزان فارغاً، يصبح الكلورين في وضعية التأهب. وعندما يكون مستوى الماء المنقى في الخزان منخفضاً، يفتح الكلورين إمدادات الماء الداخل ويبدأ بتنقية المزيد من المياه.

## وصلات الماء

توجد أربع وصلات مياه في جهة الوصلات من الكلورين. ولكل من حلقات وأنابيب الوصل شفرة لونية.

| اللون   | الوصلة             | الوصف   |
|---------|--------------------|---|
| برتقالي | إمداد الماء الداخل | تقوم وصلة الماء الداخل بتزويد الماء الداخل للكلورين.                        |
| أحمر    | ماء الصرف          | يحتوي ماء الصرف المتجه من الكلورين إلى أنبوب الصرف على تلوّث تم شطفه ورفضه  |
| أصفر    | خزان الماء المنقى  | يتم جمع الماء المنقى في خزان الماء المنقى قبل تزويده عبر صنبور الماء المنقى |
| أزرق    | صنبور الماء المنقى | يتم تزويد الماء المنقى من الكلورين عبر صنبور الماء المنقى.                  |

## شطف الغشاء الذكي

يتم شطف غشاء التناضح العكسي بشكل منتظم باستخدام الماء عندما يكون الكلورين في حالة التأهب. كما يتم شطف الغشاء قبل وبعد دورة التنقية. يضمن ذلك أن عملية التنقية تبدأ دوماً مع إمداد جديد من المياه.

## نظام جودة المياه

يتم رصد عملية التنقية بشكل مستمر للتأكد من أن جودة الماء عالية. في حال تردي جودة المياه، يبدأ ضوء مؤشر عمل النظام بالوميض. في حال استمرار المشكلة، يتوقف الكلورين. انظروا في قسم "حل المشاكل".

## نظام الحماية من التسرب

يشعر مجس موجود في أسفل الكلورين إن كان هناك تسريباً للماء. في حال تواجد التسريب، يتوقف إمداد الماء الداخل. لا يمكن إعادة تشغيل الكلورين ثانية إلى أن يتم تصليح ذلك التسرب.

## معلومات فنية

للمزيد من التفاصيل الفنية، انظروا في الموقع [www.bluewatergroup.com](http://www.bluewatergroup.com)

| المعيار / النموذج                                  | كلورين كلاسيك                | كلورين بالانس                | كلورين الترا                 | كلورين بيورتي بلس            |
|--|------------------------------|------------------------------|------------------------------|------------------------------|
| الحجم: عرض x عمق x ارتفاع (مم/ إنش)                | 416×380×215<br>(16.4×15×8.5) | 416×380×215<br>(16.4×15×8.5) | 416×380×215<br>(16.4×15×8.5) | 416×380×215<br>(16.4×15×8.5) |
| لوزن (كغ/رطل)                                      | 10.4 (22.9)                  | 11 (24.2)                    | 11.4 (25.1)                  | 12 (26.5)                    |
| إمداد الكهرباء                                     | 95-240V 50-60Hz              | 95-240V 50-60Hz              | 95-240V 50-60Hz              | 95-240V 50-60Hz              |
| نسبة تدفق الماء المنقى. ليتر/ يوم (غالون في اليوم) | 160 (43)                     | 160 (43)                     | 160 (43)                     | 160 (43)                     |

# الصيانة

## الصيانة اليومية

### لتنظيف الكليون



لا تستخدموا الكيماويات لتنظيف سطح الكليون. يسبب الكحول والبتترول والحموض العضوية واللاعضوية والكيماويات الأساسية القوية (مثل صابون الجلي المركّز) ضرراً لسطح الكليون.



لا تستخدموا أدوات قاسية أو حادة أو كاشطة لتنظيف الكليون.

| الخطوة | العمل  |
|--------|--|
| 1      | اغسل السطح الخارجي باستخدام قطعة قماش ناعمة ومبللة مع محلول صابوني ضعيف لإزالة الغبار والبقع والأوساخ. |
| 2      | جفف باستخدام قماش ناعم وجاف.   |

### الصيانة المنتظمة



إن الصيانة المنتظمة هامة للتشغيل السليم ولمدة طويلة. ننصح فقط باستخدام طاقم الخدمة المعتمدين من بلو وتر للصيانة والإصلاحات.



تتحكم جودة الماء الداخل بتواتر الصيانة. في حال احتواء إمدادات الماء الداخل على مستويات عالية من المواد الصلبة المنحلة، فقوموا بالصيانة بشكل أكثر تكراراً.



للإرشادات حول القيام بالصيانة، انظر في كتيب المستخدم الكامل على الموقع التالي [www.bluewatergroup.com](http://www.bluewatergroup.com).

| الوصف   | التكرار   |
|---|-----------|
| *استبدال المرشحة المبدئية للرواسب الخشنة (20-CL) ميكرون                                   | 6 أشهر    |
| *استبدال المرشحة المبدئية للرواسب الناعمة 5 ميكرون (5-CL)                                 |           |
| *استبدال المرشحة المبدئية من الكربون الفعال (CL-C)  |           |
| *استبدال المرشحة المدمجة للمعادن  |           |
| قوموا بفحص ضغط إمداد الماء الداخل والجودة.  |           |
| *استبدال المرشحة اللاحقة من الكربون الفعال (CL-Inline-C)                                  | سنة واحدة |
| استبدال لمبة الأشعة فوق البنفسجية   |           |
| *استبدال غشاء التناضح العكسي  | 3-5 سنوات |
| قوموا بشطف المراشح الجديدة قبل الاستخدام. انظروا في عمليات الشطف في كتيب المستخدم الكامل. |           |

## حل المشاكل

### كيفية حل المشاكل البسيطة

النسبة للأعراض غير المدرجة في الجدول هنا أو للمشاكل الأكثر شدة، انظروا في كتيب المستخدم الكامل على الموقع

www.bluewatergroup.com



| العرض  | السبب  | الحل  |
|--|--|---|
| عدم خروج ماء من صنوبر الماء المنقى. ضوء مؤشر عمل النظام مطفاً.   | لكليون غير متصل بالكهرباء  | قم بوصول الكليون لمخرج كهرباء ولمحول الكهرباء الكليون. تأكد أن شريط كهرباء 24 فولط للتيار المباشر القادم من محول الكهرباء موصل بمقيس الكهرباء في          |
|  | لم يتم تشغيل الكليون   | نقل زر الكهرباء إلى وضع التشغيل (الوضع 1)   |
|  | تم الشعور بتسريب داخلي. تم إيقاف الكليون أو توماتيكياً.                      | اتصل بموزع بلو ووتر لتصليح التسريب وإعادة ضبط النظام.   |
| عدم خروج ماء من صنوبر الماء المنقى. ضوء مؤشر عمل النظام مشتعل.   | تم تركيب الكليون للمرة الأولى ولم يمتلئ النظام بعد بالماء.                   | نظر إلى حين امتلاء النظام بالماء  |
|  | أنابيب الماء غير موصولة، أو تم الوصل بشكل غير صحيح.                          | تأكد أن الوصلات موضوعة بشكل صحيح.   |
|  | لم تحصل الصيانة المنتظمة. المراسح المبدئية مسدودة.                           | اتصل بموزع بلو ووتر للقيام بصيانة كليون.  |
| عدم خروج ماء من صنوبر الماء المنقى. ضوء مؤشر عمل النظام يومض بسرعة كبيرة (0.1 ثانية مشتعل، 0.1 ثانية مطفاً). | ضغط الماء الداخل منخفض للغاية ونظام حماية المضخة قد أوقف إمداد الماء الداخل. | يبدأ الكليون بالعمل كالمعتاد عندما يعود ضغط الماء الداخل. قم بشطف الكليون كما هو مذكور في كتيب المستخدم الكامل.   |
| عدم خروج ماء من صنوبر الماء المنقى. ضوء مؤشر عمل النظام يومض بسرعة (0.5 ثانية مشتعل، 0.5 ثانية مطفاً).       | توقف الكليون لأن جودة الماء متدنية.  | اتصل بموزع بلو ووتر للقيام بالخدمة.   |
| عدم خروج ماء من صنوبر الماء المنقى. ضوء مؤشر عمل النظام يومض بسرعة (0.5 ثانية مشتعل، 0.5 ثانية مطفاً).       | تم تتدني جودة المياه   | إنه من الآمن استخدام الماء المنقى. اتصل بموزع بلو ووتر للمزيد من المعلومات.   |
| ضوء مؤشر عمل النظام يومض ببطء (2 ثانية مشتعل، 2 ثانية مطفاً)   | يجب استبدال المراسح  | انظر في "الصيانة المنتظمة" للحصول على معلومات عن متى يتوجب تغيير المراسح. استبدل المراسح وقم بإعادة ضبط مؤشر المراسح كما تم ذكره في كتيب المستخدم الكامل. |
| معدل التدفق من صنوبر الماء المنقى منخفض  | خزان الماء المنقى فارغ بسبب الاستهلاك المرتفع للماء                          | قم بالارتقاء إلى خزان أكبر أو غشاء ذات قدرة عالية.  |
|  | ضغط الهواء في خزان الماء المنقى منخفض  | اتصل بموزع بلو ووتر لاستعادة ضغط الهواء الصحيح في خزان الماء المنقى   |
| وجود ضجيج مستمر وعال خلال تنقية الماء  | من الضروري القيام بصيانة المضخة الداعمة.                                     | اتصل بموزع بلو ووتر الخاص بك.   |

# ΠΕΡΙΕΧΟΜΕΝΑ

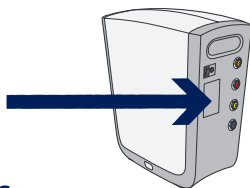
|                                   |     |
|-----------------------------------|-----|
| ΑΣΦΑΛΕΙΑ                          | 142 |
| Οδηγίες σχετικά με την ασφάλεια   | 142 |
| Πληροφορίες ασφάλειας             | 142 |
| ΕΠΙΣΚΟΠΗΣΗ ΠΡΟΪΟΝΤΟΣ              | 144 |
| Εξωτερική όψη του Cleone          | 144 |
| Εσωτερικό του Cleone              | 146 |
| ΕΠΙΣΚΟΠΗΣΗ ΣΥΣΤΗΜΑΤΟΣ             | 147 |
| Περιγραφή συστήματος              | 147 |
| Εγκατάσταση                       | 147 |
| Προοριζόμενη χρήση                | 148 |
| Σύστημα φιλτραρίσματος νερού      | 148 |
| Ευφυής έκπλυση μεμβράνης          | 148 |
| Σύστημα ποιότητας νερού           | 148 |
| Σύστημα προστασίας από διαρροές   | 148 |
| Τεχνικές πληροφορίες              | 149 |
| ΣΥΝΤΗΡΗΣΗ                         | 150 |
| Καθημερινή συντήρηση              | 150 |
| Τακτική συντήρηση                 | 150 |
| ΑΝΤΙΜΕΤΩΠΙΣΗ ΠΡΟΒΛΗΜΑΤΩΝ          | 152 |
| Τρόπος επίλυσης απλών προβλημάτων | 152 |

## Εξυπηρέτηση πελατών

Ανατρέξτε στην ενότητα «Αντιμετώπιση προβλημάτων» για την επίλυση δευτερευόντων προβλημάτων, προτού καλέσετε την τεχνική εξυπηρέτηση.

Εάν χρειάζεστε τεχνική υποστήριξη, βεβαιωθείτε ότι έχετε διαθέσιμα τα παρακάτω στοιχεία (βρίσκονται στο πίσω μέρος του φίλτρου), κατά την επικοινωνία σας με τον αντιπρόσωπό σας της Bluewater:

- Μοντέλο
- Αριθμός προϊόντος
- Αύξων αριθμός



## Περιβαλλοντικές πληροφορίες



Το φίλτρο νερού είναι πιο αποτελεσματικό όταν καθαρίζει νερό για μεγαλύτερα χρονικά διαστήματα.

Παράδειγμα: Είναι πιο αποτελεσματικό να γεμίζετε μερικά λίτρα από ότι ένα μόνο λίτρο κάθε φορά.



Το 80% των εξαρτημάτων του φίλτρου νερού και της συσκευασίας του φέρουν ετικέτα που βοηθά την ορθή ανακύκλωση και απόρριψή τους.



Οι συσκευές που φέρουν αυτό το σύμβολο πρέπει να παραδίδονται στα καθορισμένα τοπικά σημεία συλλογής για την απόρριψη ηλεκτρικού και ηλεκτρονικού εξοπλισμού.



Αυτό το προϊόν δεν πρέπει να απορρίπτεται χρησιμοποιώντας τις διαδικασίες αποκομιδής που αντιστοιχούν στα κοινά οικιακά απορρίμματα.

# ΑΣΦΑΛΕΙΑ

## Οδηγίες σχετικά με την ασφάλεια

Προτού εγκαταστήσετε ή χειριστείτε τη συσκευή, πρέπει να διαβάσετε τις πληροφορίες για την ασφάλεια. Τηρήστε τις οδηγίες του παρόντος εγχειριδίου για να αποτρέψετε τραυματισμούς ή ζημιά του εξοπλισμού. Αυτό το εγχειρίδιο περιέχει ΠΡΟΦΥΛΑΞΕΙΣ και ΕΙΔΟΠΟΙΗΣΕΙΣ που αφορούν στον ασφαλή χειρισμό της συσκευής.

---

Ένα σύμβολο με την ένδειξη ΠΡΟΦΥΛΑΞΗ υποδεικνύει συνθήκες που μπορούν να προκαλέσουν ζημιά στον εξοπλισμό. ΜΗ ΧΡΗΣΙΜΟΠΟΙΕΙΤΕ ΤΟ CLEONE εάν δεν έχουν κατανοηθεί και ικανοποιηθεί όλες οι συνθήκες προφύλαξης που αναφέρονται παρακάτω.



---

Ένα σύμβολο με την ένδειξη ΕΙΔΟΠΟΙΗΣΗ υποδεικνύει σημαντικές πληροφορίες για την αποβλημάτωση και βέλτιστη χρήση του Cleone.



## Πληροφορίες ασφάλειας

---

Μην αποσυνδέετε τους εξωτερικούς σωλήνες παροχής νερού και μην εκτελείτε εργασίες σε αυτούς. Εάν είναι απαραίτητο να αποσυνδέσετε τους σωλήνες νερού, επικοινωνήστε με τον αντιπρόσωπο της Bluewater. Σε περίπτωση εκτάκτου ανάγκης, ακολουθήστε τις οδηγίες στο Πλήρες εγχειρίδιο χρήσης.



---

Αυτή η συσκευή μπορεί να χρησιμοποιηθεί από παιδιά ηλικίας άνω των 8 ετών. Μπορεί επίσης να χρησιμοποιηθεί από άτομα με μειωμένες φυσικές, αισθητηριακές, ή διανοητικές ικανότητες ή με έλλειψη εμπειρίας και γνώσεων, εφόσον εποπτεύονται ή έχουν λάβει οδηγίες σχετικά με την ασφαλή χρήση της συσκευής και κατανοούν τους ενεχόμενους κινδύνους.



---

Μην επισκευάσετε και μην τροποποιήσετε τα εσωτερικά εξαρτήματα του Cleone. Αυτό μπορεί να οδηγήσει σε εσφαλμένη λειτουργία του Cleone ή να καταστήσει τη χρήση του μη ασφαλή.



---

Χρησιμοποιείτε μόνο το γνήσιο φιλτράρισμα τροφοδοσίας ρεύματος της Bluewater ως την πηγή τροφοδοσίας ρεύματος του Cleone. Η χρήση διαφορετικού φιλτράρισμα τροφοδοσίας ρεύματος μπορεί να καταστήσει τη χρήση του Cleone επικίνδυνη. Μπορεί επίσης να προκαλέσει βλάβη στα εσωτερικά εξαρτήματα του Cleone. Μην χρησιμοποιείτε το καλώδιο εάν υπάρχουν ορατές ενδείξεις φθοράς σε αυτό. Εάν το καλώδιο τροφοδοσίας ρεύματος υποστεί ζημιά, αντικαταστήστε το για να αποτρέψετε τον πιθανό κίνδυνο.

---



Συστήνεται οι εγκαταστάσεις, η συντήρηση και οι επισκευές του φίλτρου νερού, να πραγματοποιούνται μόνο από εγκεκριμένους τεχνικούς, διανομείς ή προσωπικό συντήρησης της Bluewater. Σε περίπτωση μη επαρκούς υλοποίησης, αυτό μπορεί να έχει ως αποτέλεσμα την εσφαλμένη λειτουργία και να οδηγήσει σε τραυματισμό και ζημιά η οποία δεν καλύπτεται από την εγγύηση. Χρησιμοποιείτε μόνο γνήσιες ανταλλακτικές φύσιγγες και εξαρτήματα της Bluewater.

---



Μην τοποθετείτε το Cleone μέσα σε νερό. Καθαρίστε την επιφάνεια με νωπό πανί και ήπιο διάλυμα σαπουνιού. Μην χρησιμοποιείτε χημικά για τον καθαρισμό της επιφάνειας του Cleone. Η αλκοόλη, η βενζίνη, τα οργανικά και ανόργανα οξέα, τα ισχυρά χημικά βάσης (όπως το συμπυκνωμένο υγρό πιάτων) προκαλούν ζημιά στην επιφάνεια του Cleone.

---



Μην τοποθετείτε ή φυλάσσετε αντικείμενα επάνω στο Cleone.

---



Μην χρησιμοποιείτε το Cleone με μικροβιακά επικίνδυνη παροχή νερού ή σε παροχή νερού με άγνωστη μικροβιακή ποιότητα.

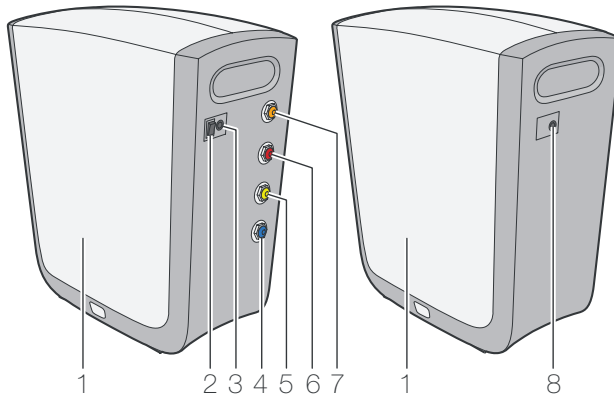
---



# ΕΠΙΣΚΟΠΗΣΗ ΠΡΟΪΟΝΤΟΣ

| Χαρακτηριστικά Μοντέλου    | Cleone Classic | Cleone Balance | Cleone Ultra | Cleone PurityPlus |
|----------------------------|----------------|----------------|--------------|-------------------|
| Λυχνία UV                  |                |                | ✓            | ✓                 |
| Ενσωματωμένο ορυκτό φίλτρο |                | ✓              |              | ✓                 |

## Εξωτερική όψη του Cleone

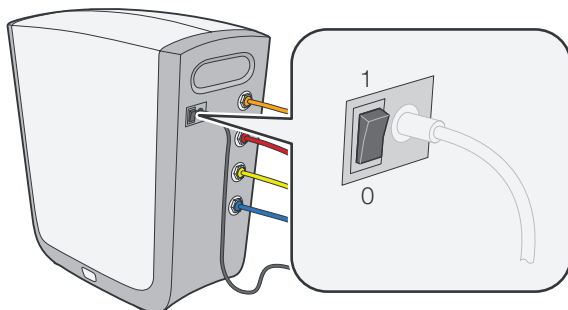


Σχήμα 66. Εξωτερική όψη του Cleone

| Θέση | Περιγραφή                             | Θέση | Περιγραφή                                   |
|------|---------------------------------------|------|---|
| 1    | Πλευρικό κάλυμμα                      | 5    | Σύνδεσμος δεξαμενής καθαρού νερού - ΚΙΤΡΙΝΟ |
| 2    | Διακόπτης ρεύματος                    | 6    | Σύνδεσμος αποστράγγισης νερού - ΚΟΚΚΙΝΟ     |
| 3    | Ηλεκτρική σύνδεση                     | 7    | Σύνδεσμος εισαγωγής νερού - ΠΟΡΤΟΚΑΛΙ       |
| 4    | Σύνδεσμος βρύσης καθαρού νερού - ΜΠΛΕ | 8    | Ενδεικτική λυχνία λειτουργίας συστήματος    |



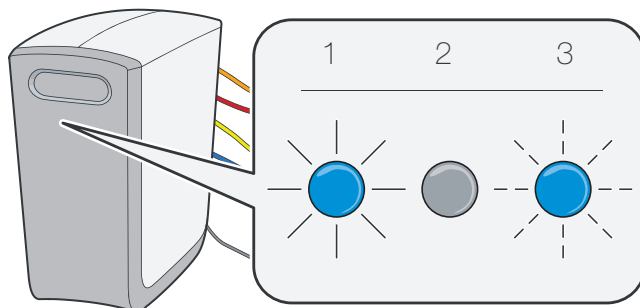
## Διακόπτης ρεύματος



Σχήμα 67. Διακόπτης ρεύματος

| Θέση | Περιγραφή   |
|------|---|
| 1    | Εκκίνηση του Cleone. Μπορεί να πραγματοποιηθεί φιλτράρισμα νερού.   |
| 0    | Το Cleone έχει σταματήσει. Δεν εκτελείται φιλτράρισμα νερού. Το νερό από τη δεξαμενή καθαρού νερού εξακολουθεί να είναι διαθέσιμο μέχρι να αδειάσει η δεξαμενή. |

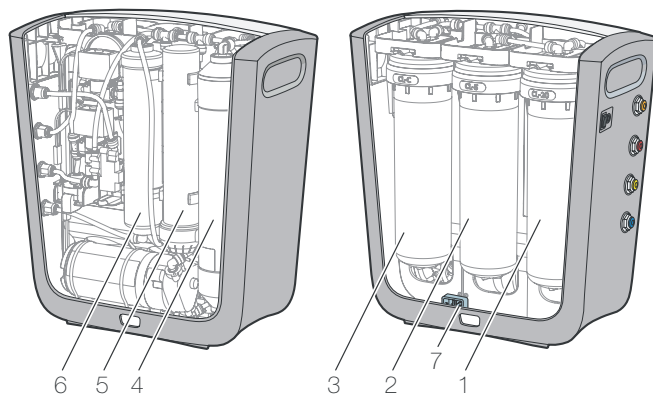
## Ένδειξη λειτουργίας συστήματος



Σχήμα 68. Ένδειξη λειτουργίας συστήματος

| Θέση                      | Περιγραφή   |
|---------------------------|---|
| 1. Λυχνία Ενεργή          | <ul style="list-style-type: none"> <li>● Το Cleone λειτουργεί σωστά. Ο διακόπτης ρεύματος είναι στη θέση «On» (ενεργό) (θέση «1»).</li> </ul>   |
| 2. Λυχνία Ανενεργή        | <ul style="list-style-type: none"> <li>● Το Cleone είναι απενεργοποιημένο. Ο διακόπτης ρεύματος είναι στη θέση «Off» (ανενεργό) (θέση «0»).</li> </ul> <p>Εάν ο διακόπτης ρεύματος είναι στη θέση «On» (θέση «1»), αλλά η ενδεικτική λυχνία είναι Ανενεργή, ανατρέξτε στην ενότητα «Αντιμετώπιση προβλημάτων» ή επικοινωνήστε με τον αντιπρόσωπο της Bluewater.</p> |
| 3. Λυχνία που αναβοσβήνει | <ul style="list-style-type: none"> <li>☀ Υπάρχει κάποιο πρόβλημα με το Cleone. Ανατρέξτε στην ενότητα «Αντιμετώπιση προβλημάτων» ή επικοινωνήστε με τον αντιπρόσωπο της Bluewater.</li> </ul>   |

## Εσωτερικό του Cleone

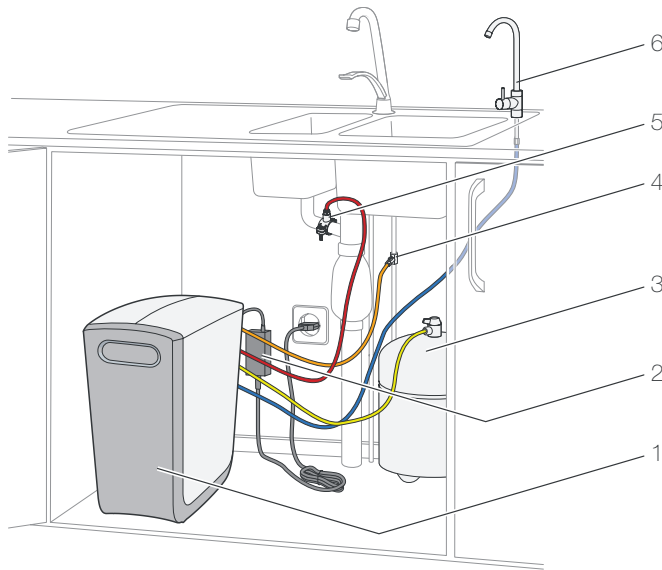


Σχήμα 69. Εσωτερικό του Cleone

| Θέση | Περιγραφή                                      | Θέση | Περιγραφή  |
|------|--|------|--|
| 1    | Προφίλτρο τραχέων ιζημάτων 20 micron (CL-20)   | 5    | Μετά-φίλτρο ενεργού άνθρακα (CL-Ενδιάμεσο-C) (Classic, Balance, Ultra) (PurityPlus)                      |
| 2    | Προφίλτρο λεπτόκοκκων ιζημάτων 5 micron (CL-5) | 6    | Λυχνία UV Ενσωματωμένο ορυκτό φίλτρο (Ultra) (Balance, PurityPlus) Η θέση είναι κενή στο μοντέλο Classic |
| 3    | Προφίλτρο ενεργού άνθρακα (CL-C)               | 7    | Διακόπτης συστήματος προστασίας από διαρροές   |
| 4    | Μεμβράνη αντίστροφης όσμωσης                   |      |  |

# ΕΠΙΣΚΟΠΗΣΗ ΣΥΣΤΗΜΑΤΟΣ

## Περιγραφή συστήματος




Σχήμα 70. Επισκόπηση συστήματος

| Θέση | Περιγραφή              | Θέση | Περιγραφή                   |
|------|------------------------|------|-----------------------------|
| 1    | Φίλτρο νερού Cleone    | 4    | Σύνδεση τροφοδοσίας νερού   |
| 2    | Φις παροχής ρεύματος   | 5    | Σύνδεση αποστράγγισης νερού |
| 3    | Δεξαμενή καθαρού νερού | 6    | Βρύση καθαρού νερού         |

## Εγκατάσταση

 Για την εγκατάσταση στις ΗΠΑ απαιτούνται ειδικές οδηγίες. Ανατρέξτε στο Πλήρες εγχειρίδιο χρήσης.

 Συστήνεται η εγκατάσταση του Cleone από επαγγελματία που προτείνεται από εξουσιοδοτημένο αντιπρόσωπο της Bluewater. Οι οδηγίες εγκατάστασης διατίθενται στη διεύθυνση [www.bluewatergroup.com](http://www.bluewatergroup.com).

## Προοριζόμενη χρήση

Το Cleone είναι ένα φίλτρο νερού για οικιακή χρήση. Μην το χρησιμοποιήσετε για κανένα άλλο σκοπό. Οποιαδήποτε χρήση πέραν του εσωτερικού οικιακού περιβάλλοντος και για σκοπούς πέραν του καθαρισμού νερού για οικιακή χρήση θεωρείται μη προοριζόμενη χρήση και ακυρώνει αυτόματα την εγγύηση του Cleone.

## Σύστημα φιλτραρίσματος νερού

Το Cleone καθαρίζει το νερό σε τρία βήματα: προφιλτράρισμα, φιλτράρισμα μεμβράνης και μετά-φιλτράρισμα. Το καθαρό νερό από το Cleone συγκεντρώνεται στη δεξαμενή καθαρού νερού. Όταν η δεξαμενή είναι πλήρης, το Cleone μεταβαίνει σε λειτουργία αναμονής. Όταν η στάθμη στη δεξαμενή καθαρού νερού είναι χαμηλή, το Cleone ανοίγει την παροχή νερού και ξεκινά τον καθαρισμό του νερού.

## Συνδέσεις παροχής νερού

Στην πλευρά συνδέσεων του Cleone υπάρχουν τέσσερις σύνδεσμοι νερού. Οι δακτύλιοι σύσφιξης και οι σωληνώσεις φέρουν χρωματικό κώδικα.

| Χρώμα     | Σύνδεση                | Περιγραφή   |
|-----------|------------------------|---|
| ΠΟΡΤΟΚΑΛΙ | Νερό παροχής           | Η σύνδεση νερού παροχής τροφοδοτεί νερό στο Cleone.   |
| ΚΟΚΚΙΝΟ   | Νερό αποστράγγισης     | Το νερό αποστράγγισης από το Cleone στο σωλήνα αποχέτευσης περιέχει υλικό έκπλυσης και ρύπους απόρριψης.  |
| ΚΙΤΡΙΝΟ   | Δεξαμενή καθαρού νερού | Το καθαρό νερό συλλέγεται σε μια δεξαμενή καθαρού νερού πριν την τροφοδότηση του στη βρύση καθαρού νερού. |
| ΜΠΛΕ      | Βρύση καθαρού νερού    | Καθαρό νερό από το Cleone τροφοδοτείται στη βρύση καθαρού νερού.  |

## Ευφυής έκπλυση μεμβράνης

Η μεμβράνη αντίστροφης όσμωσης ξεπλένεται τακτικά με νερό όταν το Cleone βρίσκεται σε λειτουργία αναμονής. Η μεμβράνη ξεπλένεται επίσης πριν και μετά τον κύκλο καθαρισμού. Αυτό διασφαλίζει ότι η διαδικασία καθαρισμού ξεκινά πάντα με φρέσκο νερό τροφοδοσίας.

## Σύστημα ποιότητας νερού

Η διαδικασία καθαρισμού παρακολουθείται συνεχώς για να διασφαλιστεί ότι η ποιότητα του νερού είναι υψηλή. Εάν η ποιότητα του νερού μειωθεί, η ένδειξη λειτουργίας του συστήματος αναβοσβήνει. Εάν το πρόβλημα επιμένει, το Cleone σταματά. Βλ. «Αντιμετώπιση προβλημάτων».

## Σύστημα προστασίας από διαρροές

Ένας αισθητήρας στη βάση του Cleone ανιχνεύει διαρροές νερού. Εάν υπάρχει διαρροή, η παροχή νερού τροφοδοσίας διακόπτεται. Το Cleone δεν μπορεί να επανεκκινηθεί μέχρι να επισκευαστεί η διαρροή.

## Τεχνικές πληροφορίες




Για πιο λεπτομερή τεχνικά στοιχεία, ανατρέξτε στη διεύθυνση [www.bluewatergroup.com](http://www.bluewatergroup.com).

| Παράμετρος/<br>Μοντέλο                                    | Cleone Classic               | Cleone Balance               | Cleone Ultra                 | Cleone PurityPlus            |
|---|------------------------------|------------------------------|------------------------------|------------------------------|
| Διαστάσεις Π×Β×Υ<br>[χλστ. (ίντσες)]                      | 215×380×416<br>(8.5×15×16.4) | 215×380×416<br>(8.5×15×16.4) | 215×380×416<br>(8.5×15×16.4) | 215×380×416<br>(8.5×15×16.4) |
| Βάρος [κιλά<br>(λίβρες)]                                  | 10.4 (22.9)                  | 11 (24.2)                    | 11.4 (25.1)                  | 12 (26.5)                    |
| Τροφοδοσία<br>ρεύματος                                    | 95-240V 50-60Hz              | 95-240V 50-60Hz              | 95-240V 50-60Hz              | 95-240V 50-60Hz              |
| Παροχή<br>φιλτραρισμένου<br>νερού [λίτρα/<br>ημέρα (GPD)] | 160 (43)                     | 160 (43)                     | 160 (43)                     | 160 (43)                     |

# ΣΥΝΤΗΡΗΣΗ

## Καθημερινή συντήρηση


Για τον καθαρισμό του Cleone


 Μην χρησιμοποιείτε χημικά για τον καθαρισμό της επιφάνειας. Η αλκοόλη, η βενζίνη, τα οργανικά και ανόργανα οξέα, τα ισχυρά χημικά βάσης (όπως το συμπυκνωμένο υγρό πιάτων) προκαλούν ζημιά στην επιφάνεια.

 Μην χρησιμοποιείτε σκληρά ή αιχμηρά εργαλεία για τον καθαρισμό του Cleone.

| Βήμα | Ενέργεια  |
|------|---|
| 1    | Καθαρίστε την εξωτερική επιφάνεια με υγρό μαλακό πανί και ήπιο διάλυμα σαπουνιού, για να απομακρύνετε τη σκόνη, τους λεκέδες και τους ρύπους. |
| 2    | Στεγνώστε με μαλακό, στεγνό πανί.   |

## Τακτική συντήρηση

 Η τακτική συντήρηση είναι σημαντική για την ορθή και μακροπρόθεσμη λειτουργία. Συστήνεται η συντήρηση και οι επισκευές να πραγματοποιούνται μόνο από προσωπικό συντήρησης εγκεκριμένο από την Bluewater.

 Η ποιότητα του νερού παροχής ελέγχει τη συχνότητα της συντήρησης. Εάν η παροχή νερού περιέχει υψηλά επίπεδα διαλυμένων στερεών, η συντήρηση πρέπει να εκτελείται συχνότερα.

 Για οδηγίες σχετικά με τον τρόπο εκτέλεσης της συντήρησης, ανατρέξτε στο Πλήρες εγχειρίδιο χρήσης στη διεύθυνση [www.bluewatergroup.com](http://www.bluewatergroup.com).

| Συχνότητα   | Περιγραφή   |
|---|---|
| 6 μήνες   | *Αντικαταστήστε το προφίλτρο τραχέων ιζημάτων 20 micron (CL-20).  |
|   | *Αντικαταστήστε το προφίλτρο λεπτόκοκκων ιζημάτων 5 micron (CL-5).                                      |
|   | *Αντικαταστήστε το προφίλτρο ενεργού άνθρακα (CL-C).  |
|   | *Αντικαταστήστε το ενσωματωμένο ορυκτό φίλτρο.  |
|   | Εκτελέστε έλεγχο της πίεσης και ποιότητας του νερού παροχής.  |
| 1 έτος  | *Αντικαταστήστε το μετά-φίλτρο ενεργού άνθρακα (CL-Ενδιάμεσο-C).  |
|   | *Αντικαταστήστε τη λάμπα UV.  |
| 3-5 έτη   | *Αντικαταστήστε τη μεμβράνη αντίστροφης όσμωσης.  |
| *ΣΗΜΕΙΩΣΗ:<br>Κάθε φορά που αντικαθίσταται ένα φίλτρο | Ξεπλύνετε τα νέα φίλτρα πριν από τη χρήση. Δείτε τις διαδικασίες έκπλυσης στο Πλήρες εγχειρίδιο χρήσης. |

# ΑΝΤΙΜΕΤΩΠΙΣΗ ΠΡΟΒΛΗΜΑΤΩΝ

## Τρόπος επίλυσης απλών προβλημάτων



Για συμπτώματα που δεν αναφέρονται στον πίνακα παρακάτω ή για σοβαρότερα προβλήματα, ανατρέξτε στο Πλήρες εγχειρίδιο χρήσης στη διεύθυνση [www.bluewatergroup.com](http://www.bluewatergroup.com).

| Σύμπτωμα   | Αιτία   | Λύση  |
|--|---|---|
| Δεν εξέρχεται νερό από τη βρύση καθαρού νερού. Η ενδεικτική λυχνία λειτουργίας του συστήματος είναι ανενεργή.  | Το Cleone δεν είναι συνδεδεμένο στην παροχή ρεύματος.   | Συνδέστε το Cleone σε ηλεκτρική πρίζα και στο φινιρίσμα παροχής ρεύματος. Διασφαλίστε ότι το καλώδιο 24V συνεχούς ρεύματος του φινιρίσματος είναι συνδεδεμένο στην πρίζα ρεύματος του Cleone. |
|  | Το Cleone δεν έχει εκκινήσει.   | Μετακινήστε το διακόπτη παροχής ρεύματος στη θέση «On» (ενεργό) (θέση «1»).   |
|  | Ανιχνεύτηκε εσωτερική διαρροή. Το Cleone σταμάτησε αυτόματα.  | Επικοινωνήστε με τον αντιπρόσωπο της Bluewater για την επισκευή της διαρροής και την επαναφορά του συστήματος.  |
| Δεν εξέρχεται νερό από τη βρύση καθαρού νερού. Η ενδεικτική λυχνία λειτουργίας του συστήματος είναι ενεργή.  | Το Cleone εγκαταστάθηκε για πρώτη φορά και το σύστημα δεν έχει πληρωθεί με νερό.                                    | Περιμένετε να γεμίσει με νερό το σύστημα.   |
|  | Οι σωλήνες νερού δεν έχουν συνδεθεί ή οι συνδέσεις είναι λανθασμένες.   | Διασφαλίστε την ορθή εκτέλεση των συνδέσεων.  |
|  | Δεν εκτελέστηκε τακτική συντήρηση. Τα προφίλτρα είναι φραγμένα.   | Επικοινωνήστε με τον αντιπρόσωπο της Bluewater για την εκτέλεση συντήρησης στο Cleone.  |
| Δεν εξέρχεται νερό από τη βρύση καθαρού νερού. Η ενδεικτική λυχνία λειτουργίας του συστήματος αναβοσβήνει ιδιαίτερα γρήγορα. (0,1 δευτ. Ενεργό, 0,1 δευτ. Ανενεργό). | Η πίεση παροχής νερού είναι πολύ χαμηλή και το σύστημα προστασίας της αντλίας διέκοψε την παροχή νερού τροφοδοσίας. | Το Cleone θα ξεκινήσει να λειτουργεί ως συνήθως όταν επανέλθει η πίεση της παροχής νερού τροφοδοσίας. Πραγματοποιήστε έκπλυση του Cleone, όπως περιγράφεται στο Πλήρες εγχειρίδιο χρήσης.     |
| Δεν εξέρχεται νερό από τη βρύση καθαρού νερού. Η ενδεικτική λυχνία λειτουργίας του συστήματος αναβοσβήνει γρήγορα (0,5 δευτ. Ενεργό, 0,5 δευτ. Ανενεργό).            | Το Cleone σταμάτησε επειδή η ποιότητα νερού είναι χαμηλή.   | Επικοινωνήστε με τον αντιπρόσωπο της Bluewater για συντήρηση.   |



| Σύμπτωμα  | Αιτία  | Λύση  |
|---|--|---|
| Εξέρχεται νερό από τη βρύση καθαρού νερού. Η ενδεικτική λυχνία λειτουργίας του συστήματος αναβοσβήνει γρήγορα (0,5 δευτ. Ενεργό, 0,5 δευτ. Ανενεργό). | Η ποιότητα νερού μειώθηκε.   | Η χρήση του καθαρού νερού είναι ασφαλής. Επικοινωνήστε με τον αντιπρόσωπο της Bluewater για περισσότερες πληροφορίες.   |
| Η ενδεικτική λυχνία λειτουργίας του συστήματος αναβοσβήνει αργά (2 δευτ. Ενεργό, 2 δευτ. Ανενεργό).   | Τα φίλτρα πρέπει να αντικατασταθούν.                                 | Ανατρέξτε στην ενότητα «Τακτική συντήρηση» για πληροφορίες σχετικά με το χρόνο αλλαγής των φίλτρων. Αντικαταστήστε τα φίλτρα και επαναφέρετε την ένδειξη των φίλτρων, όπως περιγράφεται στο Πλήρες εγχειρίδιο χρήσης. |
| Η παροχή της βρύσης καθαρού νερού είναι χαμηλή.   | Η δεξαμενή καθαρού νερού είναι άδεια λόγω μεγάλης κατανάλωσης νερού. | Αναβαθμίστε σε μεγαλύτερη δεξαμενή ή σε μεμβράνη υψηλής ικανότητας.   |
|   | Η πίεση αέρα στη δεξαμενή καθαρού νερού είναι χαμηλή.                | Επικοινωνήστε με τον αντιπρόσωπο της Bluewater για την επαναφορά της ορθής πίεσης αέρα στη δεξαμενή καθαρού νερού.  |
| Υπερβολικός, συνεχόμενος θόρυβος κατά τον καθαρισμό νερού.  | Απαιτείται συντήρηση της αντλίας ενίσχυσης.                          | Επικοινωνήστε με τον αντιπρόσωπο της Bluewater.   |







Bluewater is a world leading water purification company. Headquartered in Stockholm, Sweden, the company helps people and businesses globally enjoy the health and wellbeing benefits of cleaner, healthier tap water. Bluewater innovates, makes and sells compact water purifiers that harness the company's patented reverse osmosis technology to remove virtually all pollutants from tap water, including lead, bacteria, pesticides, medical residues, chlorine and limescale.

Please visit us at [www.bluewatergroup.com](http://www.bluewatergroup.com)



## BLUEWATER

Danderydsgatan 11  
SE-114 26 Stockholm  
Sweden  
E: [info@bluewatergroup.com](mailto:info@bluewatergroup.com)

[www.bluewatergroup.com](http://www.bluewatergroup.com)

